

SHADE POCKETS
AXIOM® Building Perimeter System
 Core & Shell Shade Pockets



SUSTAIN™
 High Performance
 Sustainable
 Ceiling Systems



Extruded aluminum trim solution offers integrated ceiling-to-perimeter transition and flexibility to choose finish after installation.

KEY SELECTION ATTRIBUTES

- Pre-engineered base shade pocket integrates with acoustical, drywall, and acoustical seismic trims
- Seismic perimeter pocket offers a 0.875" flange
- Eliminates the framing, boarding, taping, mudding, sanding, and painting commonly required for drywall pockets
- Allows quality control at the perimeter and reduces risk associated with field-fabrication

TYPICAL APPLICATIONS

- Offices
- Healthcare
- Higher education
- Highrise residential
- Hospitality
- Tenant fit out

COLORS

Standard



White
(WH)



Custom Colors
Available*

*Colors that are pre-qualified to meet Sustain™ portfolio requirements are available upon request. Other made-to-order colors must be evaluated if sustainability criteria is required. Lead time will increase.

▲ Axiom® Building Perimeter System

VISUAL SELECTION

	Item No.	Description	Dimensions (Inches)	Length	
Perimeter Pockets	AXCSBPF	Base Pocket with Stud Integration	5 x 5"	120"	
	AXCSBPS	Base Pocket - Smooth Top	5 x 5"	120"	
Fixed Height Trim Pieces	AXCSFACT	Fixed Acoustical Trim Piece	4-1/4 x 1 9/16"	120"	
	AXCSFDGS	Fixed Drywall Trim Piece	4-1/4 x 2 1/16"	120"	
	AXCSFSACT	Fixed Acoustical Seismic Trim Piece	4-1/4 x 2 2/16"	120"	
	AXCSFEXT	Fixed Extension Clip Trim Piece	4-1/4 x 1"	120"	

SHADE POCKETS

AXIOM® Building Perimeter System

Core & Shell Shade Pockets



Calculate sustainability with GreenGenie™
armstrongceilings.com/greengenie

energy management	construction waste mgmt	regional materials	design for flexibility	EPD	recyclable/producer resp.	biobased materials	recycled content	sourcing of raw materials	material ingredient reporting	low emitting materials	lighting quality	acoustics
-------------------	-------------------------	--------------------	------------------------	-----	---------------------------	--------------------	------------------	---------------------------	-------------------------------	------------------------	------------------	-----------

LOCATION DEPENDENT

WELL Building Standard™ (WELL) Living Building Challenge® (LBC)

VISUAL SELECTION

Item No.	Description	Dimensions (Inches)	Length	
Adjustable Height Trim Pieces	AXCSAACT Adjustable Acoustical Trim Piece	8-3/8 x 1-5/8"	120"	
	AXCSADGS Adjustable Drywall Trim Piece	8-3/8 x 2-1/8"	120"	
	AXCSASACT Adjustable Acoustical Seismic Trim Piece	8-3/8 x 2-1/8"	120"	

FACEPLATES Custom slotting, perforating and cutouts available

Item No.	Description	Dimensions (Inches)	Length	
AXPDFP4	4" Axiom Perimeter Faceplate with Acoustical Flange – Unslotted	4" Unslotted	120"	
AXPDFP4SLA	4" Axiom Perimeter Faceplate with acoustical Flange – 2 Slot Pattern	4" Slotted 3/4" x 23"	120"	
AXPDFP4SLB	4" Axiom Perimeter Faceplate with Acoustical Flange – 1 Slot Pattern	4" Slotted 2-3/4" x 23"	120"	
AXPDFP7	7" Axiom Perimeter Faceplate with Acoustical Flange – Unslotted	7" Unslotted	120"	
AXPDFP7SLA	7" Axiom Perimeter Faceplate with Acoustical Flange – 2 Slot Pattern	7" Slotted 3/4" x 23"	120"	
AXPDFP7SLB	7" Axiom Perimeter Faceplate with Acoustical Flange – 1 Slot Pattern	7" Slotted 2-3/4" x 23"	120"	
AXPDFPS7	7" Axiom Seismic Perimeter Faceplate with 0.875" Flange – Unslotted	7" Unslotted	120"	
AXPDFPS7LA	7" Axiom Seismic Perimeter Faceplate with 0.875" Flange – 2 Slot Pattern	7" Slotted 3/4" x 23"	120"	
AXPDFPS7LB	7" Axiom Seismic Perimeter Faceplate with 0.875" Flange – 1 Slot Pattern	7" Slotted 2-3/4" x 23"	120"	

SHADE POCKETS

AXIOM® Building Perimeter System

Core & Shell Shade Pockets



Declare.

LEED WELL LBC

50% RECYCLED CONTENT

- energy management
- construction waste mgmt
- regional materials
- design for flexibility
- EPD
- recyclable/extended producer resp.
- biobased materials
- recycled content
- sourcing of raw materials
- material ingredient reporting
- low emitting materials
- lighting quality
- acoustics

Calculate sustainability with GreenGenie™
armstrongceilings.com/greengenie

LOCATION DEPENDENT

WELL Building Standard™ (WELL)
Living Building Challenge® (LBC)

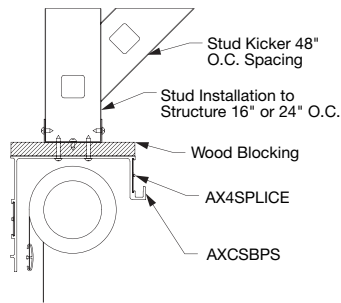
FACEPLATES Custom slotting, perforating and cutouts available

Item No.	Description	Dimensions (Inches)	Length
AXPDFP4DT	4" Axiom Perimeter Faceplate with Drywall Flange – Unslotted	4" Unslotted	120"
AXPDFP4DTSLA	4" Axiom Perimeter Faceplate with Drywall Flange – 2 Slot Pattern	4" Slotted 3/4" x 23"	120"
AXPDFP4DTSLB	4" Axiom Perimeter Faceplate with Drywall Flange – 1 Slot Pattern	4" Slotted 2-3/4" x 23"	120"
AXPDFP7DT	7" Axiom Perimeter Faceplate with Drywall Flange – Unslotted	7" Unslotted	120"
AXPDFP7DTSLA	7" Axiom Perimeter Faceplate with Drywall Flange – 2 Slot Pattern	7" Slotted 3/4" x 23"	120"
AXPDFP7DTSLB	7" Axiom Perimeter Faceplate with Drywall Flange – 1 Slot Pattern	7" Slotted 2-3/4" x 23"	120"

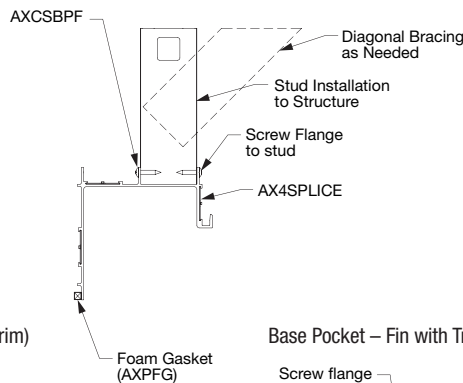


INSTALLATION OPTIONS

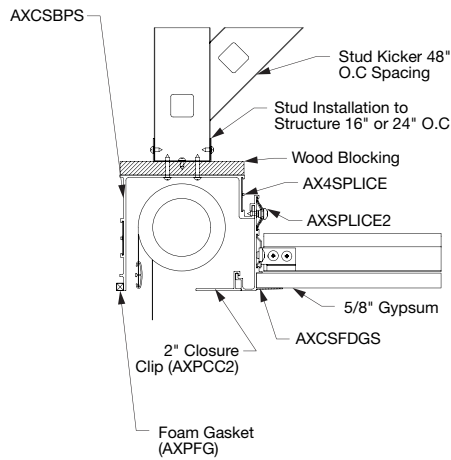
Base Pocket – Smooth (Stud Integration)



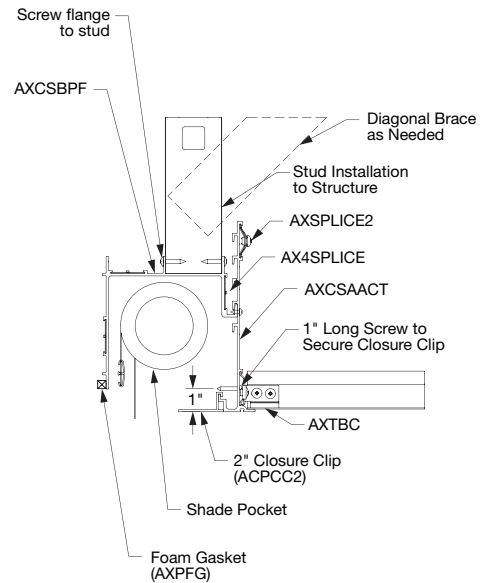
Base Pocket – Fin (Stud Integration)



Base Pocket – Smooth with Trim (Fixed Height Drywall Trim)



Base Pocket – Fin with Trim (Adjustable Height Acoustical Trim)



INTEGRATED CEILING SOLUTIONS – Standard

SHADE POCKETS

AXIOM® Building Perimeter System

Core & Shell Shade Pockets



Declare™

LEED® WELL™ LBC

50% RECYCLED CONTENT

energy management
construction waste mgmt
regional materials
design for flexibility
EPD
recyclable/ biobased materials
recycled content
sourcing of raw materials
material ingredient reporting
low emitting/ materials
lighting quality
acoustics

Calculate sustainability with GreenGenie™
armstrongceilings.com/greengenie

LOCATION DEPENDENT

WELL Building Standard™ (WELL)
Living Building Challenge® (LBC)

ACCESSORIES

Installation Accessories

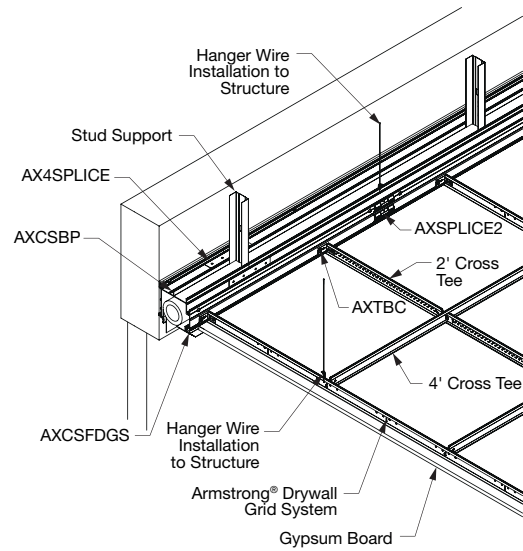
AXTBC	Axiom T-Bar Connector Clip	
AXSPLICE2	Splice Plate for Axiom	
AX4SPLICE	Splice Plate for Axiom	
AXBTSTR	Axiom Bottom Drywall Trim for 5/8" Drywall	
AXPFG	Foam Gasketing. Used between perimeter pocket piece and exterior window or exterior wall.	
AXPSPLINE	Axiom Building Perimeter Interlocking Spline for connection between perimeter pocket and extension or face plate piece	

Seismic Accessories

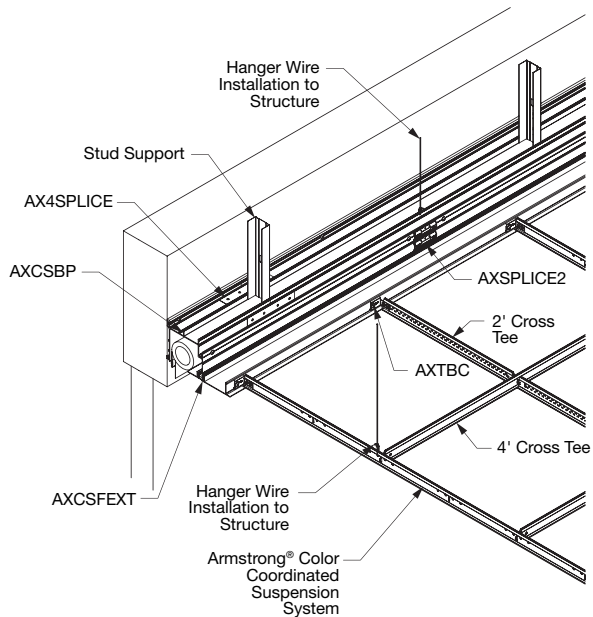
BERCAXT	Axiom Beam End Retaining Clip for Seismic Applications	
AXSA75	Axiom Adapter Clip with 0.75" Flange for Seismic Applications. Attaches to standard pocket, extension and faceplate flanges to meet seismic certifications.	

Closure Clips

AXPCC2	2" Axiom Building Perimeter Closure Clip	
AXPCC3	3" Axiom Building Perimeter Closure Clip	



Axiom Core & Shell Shade Pocket Base Pocket with Fin and Fixed Drywall Trim Piece



Axiom Core & Shell Shade Pocket Base Pocket with Fin and Faceplate

PHYSICAL DATA

Material
Extruded aluminum

Surface Finish
Factory-applied baked polyester paint finish. The areas of the perimeter pocket that will be visible once the shade and closure clip are in place have full paint coverage.

TechLine / 1 877 276-7876
armstrongceilings.com/coreandshell
BPCS-6492-521

LEED® is a registered trademark of the U.S. Green Building Council; Declare™ and Living Building Challenge® (LBC) are trademarks of the International Living Future Institute®; WELL™ and Well Building Standard are trademarks of the International WELL Building Institute; all other trademarks used herein are the property of AWI Licensing LLC and/or its affiliates © 2021 AWI Licensing LLC

