

BANDRASTER

Exposed grid system available in a range of different widths for tile or plank installations

Key Attributes

- Unslotted Bandraster for mineral plank installation or Metal B-L 302 system
- Slotted Bandraster for tile installation using standard Prelude 24 Cross Tees (or custom Prelude 15 TL Cross Tees)
- Special slot spacing possible (minimum 50mm spacing)
- Tartan layouts easily constructed using cross connectors

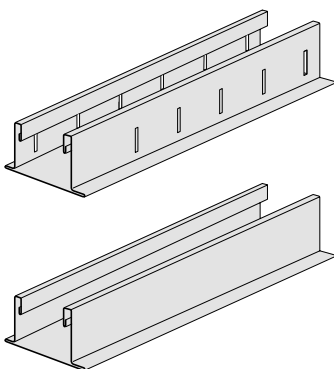
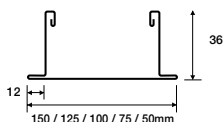
Application area

Open plan office / Individual offices

Physical data

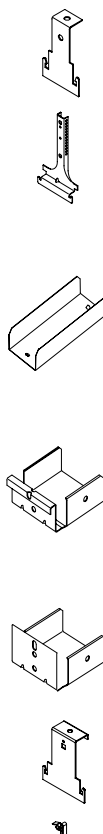
- Material: galvanised steel
- Surface finish: baked polyester paint
- Standard colours: Global White & RAL 9010
- Other colours available upon request

BANDRASTER SYSTEMS



Item Nr.	Dimensions length (mm)	Dimensions width (mm)	Content pcs	Content / Carton lm	Weight / Carton kg	Cartons / Pallet
Slotted at 312.50 mm ⁽¹⁾						
36 2100 B	3750	100	8	30.00	32.60	16
Slotted at 100 mm ⁽¹⁾						
36 3050	3600	50	8	28.80	24.00	28
36 3075	3600	75	8	28.80	27.70	20
36 3100*	3600	100	8	28.80	31.40	16
36 3125	3600	125	8	28.80	38.30	12
36 3150	3600	150	4	14.40	21.20	20
Unslotted ⁽²⁾						
36 0050 A	3600	50	8	28.80	24.00	28
36 0075 A	3600	75	8	28.80	27.70	20
36 0100 A*	3600	100	8	28.80	31.40	16
36 0125 A	3600	125	8	28.80	38.30	12
36 0150	3600	150	4	14.40	21.20	20
M215540**	3600	100	8	28.80	31.40	16

ACCESSORIES

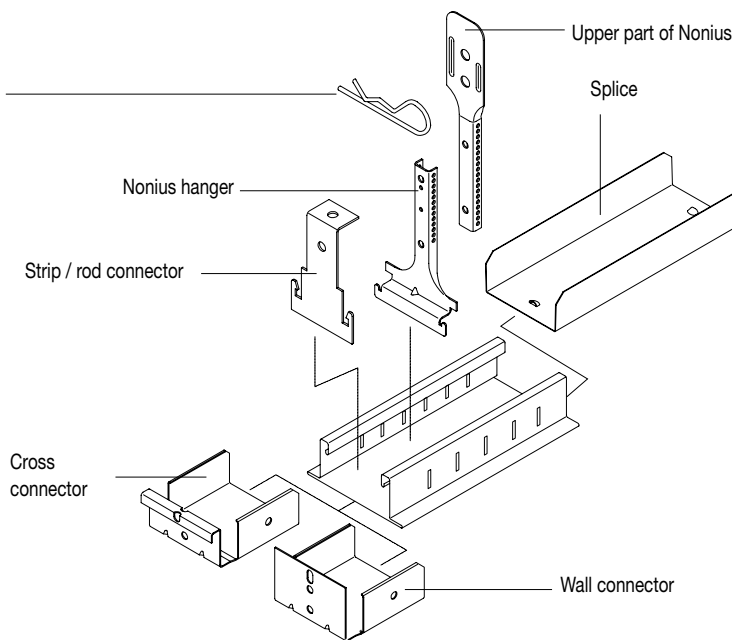


Item Nr.	Description	Dimensions width (mm)	Content / Carton pcs	Weight / Carton kg
A 36 0501	Strip / rod connector	50	50	1.20
A 36 0751	"	75	50	1.50
A 36 1001	"	100	50	1.80
A 36 0502 G	Nonius hanger	50	100	5.80
A 36 0752 G	"	75	100	8.10
A 36 1002 G	"	100	100	11.00
A 36 1252 G	"	125	100	12.50
A 36 1502 G	"	150	100	15.00
A 36 0503 G	Splice	50	100	8.00
A 36 0753 G	"	75	100	8.30
A 36 1003 G	"	100	100	14.00
A 36 1253 G	"	125	100	17.00
A 36 1503 G	"	150	100	19.50
A 36 0504 G	Cross connector	50	100	5.80
A 36 0754 G	"	75	100	8.10
A 36 1004 G	"	100	100	11.00
A 36 1254 G	"	125	100	12.50
A 36 1504 G	"	150	50	7.50
A 36 0505 G	Wall connector	50	100	5.80
A 36 0755 G	"	75	100	8.10
A 36 1005 G	"	100	100	11.00
A 36 1255 G	"	125	100	12.50
A 36 1505 G	"	150	50	7.50
M311549D	Hanger for Bandraster 100 mm	86 x 74 x 24	100	6.6
M300120	Plug-in clip	20 x 21 x 6	100	0.2

SYSTEM DRAWING

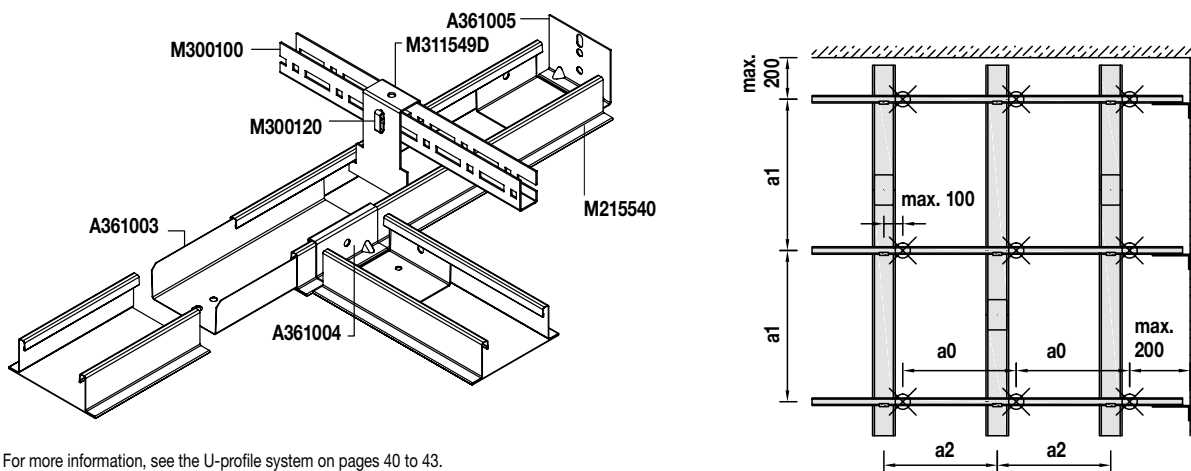
Pin to connect bottom and upper part of Nonius A 10229 G
(It is recommended to use 2 pins to connect bottom & upper part of Nonius)

- Values in the table conform to Class 1 as defined in EN 13964:2004+A1:2006 table 6. For other classes /deflection limits please contact us.
- Values are determined from laboratory tests methods in accordance with EN 13964:2004+A1:2006 clause 5.
- Values are applicable for the 7 planks systems described assuming that the maximum deflection of the grid is L/500 but not greater than 4 mm (L = span), taking in consideration the bending moment.
- No other applied loads such as luminaires, air diffusers, smoke detectors, sprinklers, hanging signs etc. are permitted.
- No overlays such as mineral wool or fibre glass quilts, as may be required for enhanced acoustic, fire or thermal performance, are permitted unless their full weight is established and included, together with the weight of the tile, within the appropriate weight groups.
- For grid loading data calculated to different criteria than Class 1 to EN13964:2004+A1:2006, please contact us.



	Prelude 24				Z-Bar			
Centres (mm)	1800	1724	1500	1200	2500	1800	1500	
Cross Tee(s)	13 34 32	13 50 32	13 36 32	13 30 31	CZ 41 795 J	CZ 41 794 J	CZ 41 494 J	
Spacing (mm)	300	300	600	600	300	300	300	
Bandraster	1000	16.2	18.6	13.4	15.2	10.2	15.4	22.7
50 to 150 mm	1200	12.9	13.5	13.4	15.2	9.3	12.9	15.5
Suspension Spacing	1500	7.5	7.9	9.7	12.1	4.6	7.4	9.2

SYSTEM DRAWING WITH U-PROFILE SYSTEM FOR METAL CEILING



For more information, see the U-profile system on pages 40 to 43.

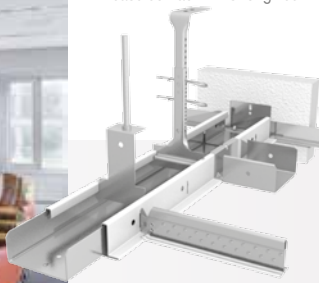
SPACING PARAMETERS

a2 [mm]	600	650	700	750	800	850	900	950	1000	1050	1100	1150	1200	1250	1300	1350	1400	1450	1500	1550	1600	1650	1700	1750	1800	1850	1900	1950	2000	2050	2100	2150	2200	2250	2300	2350	2400	2450	2500	2600	2700	2800	2900	3000	3100	3200	3300
a0 [mm]	1800	1300	1400	1500	1600	1700	800	950	1000	1050	1100	1150	1200	1250	1300	1350	1400	1450	1500	1550	1600	1650	1700	1750	1800	1850	1900	975	1000	1025	1050	1075	1100	1125	1150	1175	1200	1225	1250	1300	1350	1400	1450	1500	1550	1600	1650
a1 [mm]	1900	1900	1900	1900	1900	1900	1900	1900	1900	1900	1850	1850	1800	1800	1750	1750	1700	1700	1650	1650	1650	1600	1600	1600	1600	1550	1550	1500	1500	1500	1450	1450	1450	1450	1400	1400	1350	1300	1300	1250	1200	1150	1100	1050	1050		
a1* [mm]	1900	1900	1900	1900	1850	1800	1750	1700	1700	1650	1650	1600	1600	1550	1550	1500	1500	1450	1450	1400	1400	1350	1350	1300	1300	1250	1250	1200	1150	1150	1100	1100	1050	1050	1000	1000	950	950	900	900	850	800	800	750	700		

* System with additional load + 4 kg/m²



Product available as standard in Global White.
*Also available in RAL 9010 (WR). **Post painted in RAL 9010 as standard. Other colours available upon request.
(1) Is compatible with all plank edge details whether Cross Tees are required or not.
(2) Is compatible only with plank edge details when no visible Cross Tees span between Bandraster sections.
All measurements in millimetres. All sizes are nominal. Availability of products may vary according to location.
Please contact Armstrong Technical Sales for further details.



www.armstrongceilings.co.uk

Armstrong[®]
CEILING SOLUTIONS