

SEISMIC RX[®] SYSTEM

Exposed 24mm grid system with specialist installation accessories and detailing

Key Attributes

- Independently tested system to withstand the forces from significant seismic activity or other severe events
- Standard grid sections: Prelude 24 Peakform Main Runner and Prelude 24 XL² Cross Tees
- Special accessories: quicker, more cost effective seismic installations
- Solutions for moderate hazard and high/very high hazard areas

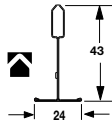
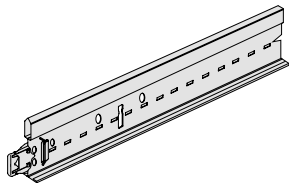
Application area

Seismic areas, Nuclear, military or high risk sites

Physical data

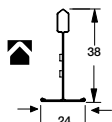
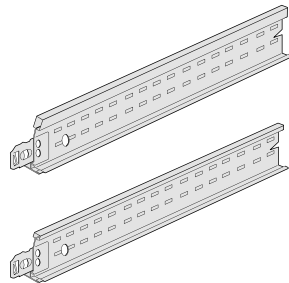
- Material: galvanised steel
- Surface finish: baked polyester paint
- Colour: Global White
- Other standard colours available

● PRELUDE 24 - UNIVERSAL PEAKFORM MAIN RUNNERS AND SUPERLOCK CLIP (bulb-to-bulb connection)



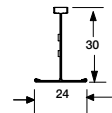
Item Nr.	Dimensions length (mm)	height (mm)	Content / Carton pcs	Carton lm	Weight / Carton kg	Cartons / Pallet
31 40 32 A ⁽¹⁾	3600	43	20	72.00	21.00	30
31 41 33 B	3750	43	20	67.50	20.00	30

● PRELUDE 24 - XL² CROSSTEES (stab system, override)



Cross Tees slotted

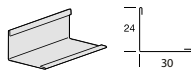
31 30 51 B ⁽¹⁾	1200	38	60	72.00	18.20	72
31 31 51 B ⁽¹⁾	1250	38	60	75.00	18.90	72



Cross Tees unslotted

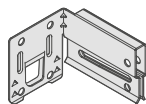
31 20 21 A ⁽¹⁾	600	30	60	36.00	8.20	144
31 21 23 A ⁽¹⁾	625	30	60	37.50	8.60	144

● ACCESSORIES

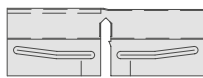


Item Nr.	Description	Dimensions height (mm)	Content / Carton pcs	Weight / Carton kg	Cartons / Pallet
----------	-------------	---------------------------	-------------------------	-----------------------	---------------------

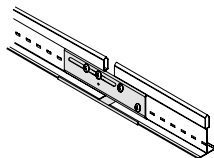
T 3024 H	Perimeter angle. painted	3000	40	28.50	50
----------	--------------------------	------	----	-------	----



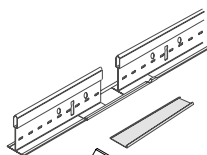
BERC2	Main Runner end retaining clip	50	200	9.00	36
-------	--------------------------------	----	-----	------	----



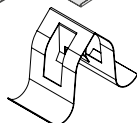
SJCG	Seismic joint clip XL ² Cross Tee (24mm)	-	200	7.00	36
------	---	---	-----	------	----



SJMR15	Seismic joint clip Peakform Main Runner (24mm)	-	100	11.00	60
--------	--	---	-----	-------	----



ES 4	Expansion sleeve (24mm)	100	100	1.00	170
------	-------------------------	-----	-----	------	-----

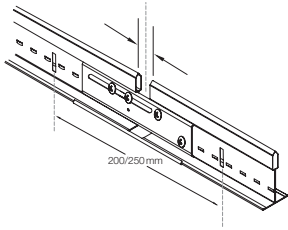


442	Vector Seismic clip	-	100	1.63	-
-----	---------------------	---	-----	------	---

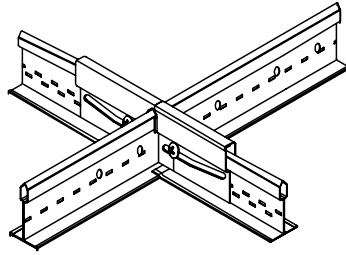


● SYSTEM DRAWINGS

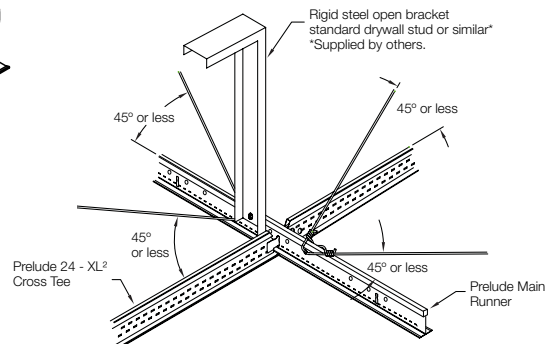
• Seismic Joint Clip Main Runner



• Seismic Joint Clip Cross Tee

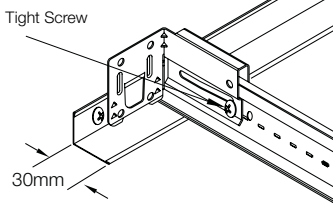


• Bracing Detail

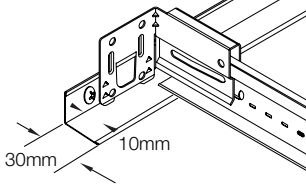


• Moderate Hazard Seismic Rx® System

Attached Wall Detail

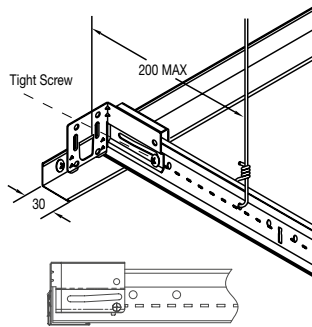


Unattached Wall Detail

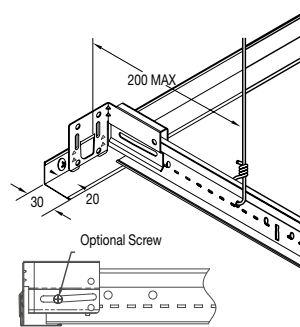


• High / Very High Hazard Seismic Rx® System

Attached Wall Detail



Unattached Wall Detail

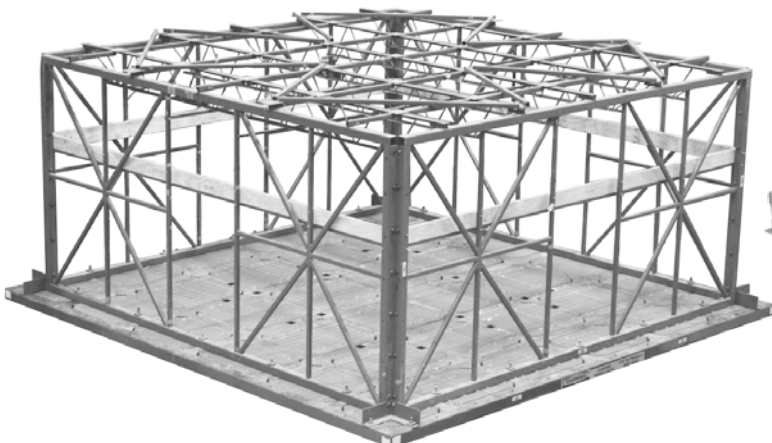


The Seismic Rx® system installation method will depend upon the hazard level required for the installation.

For more information on which of the above system drawings apply to which risk category, please refer to our **Installation Guidelines for Seismic Applications** brochure, or contact Armstrong Technical Sales.



• Shake table frame for Seismic testing



(1) Standard Colours available: BK (Black), BS (Brass), CE (Chrome), SG (RAL9006), WR (RAL 9010). A further 180 RAL colours are available as a special on request. Please contact your local sales office. All measurements in millimetres. All sizes are nominal. Availability of products may vary according to location. Please contact Armstrong Technical Sales for further details.



www.armstrongceilings.co.uk