

PARTS LIST

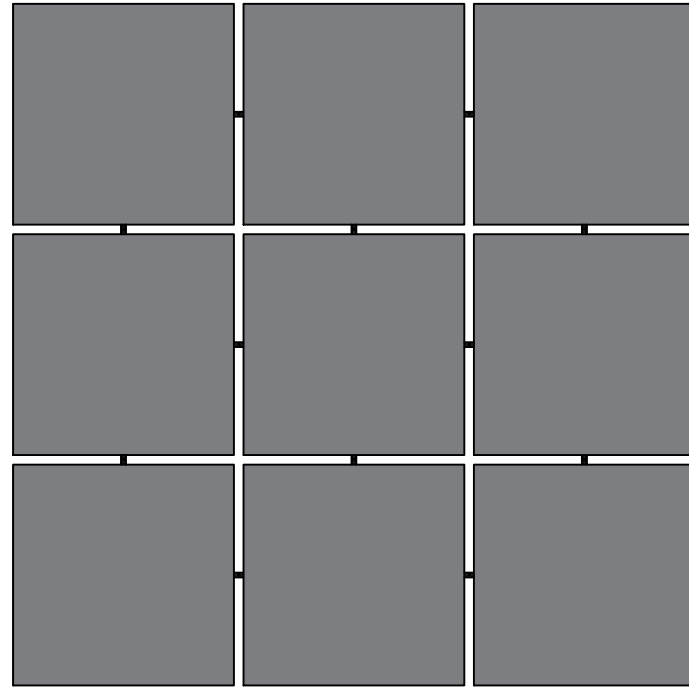
ITEM	ITEM NUMBER	DESCRIPTION	QTY
1	5451	Grouping Frame Kit	753 in / 6 pcs
2	5453D090	Spacer Frame Alignment 90°	3 ctn
3	5440F0?R01-???	SoundScapes Shapes Square – 90 degrees	9 pcs
4	5450L8CR	Deck Hanging Kit	5 ctn
5	5454	Panel Hook Kit	9 ctn



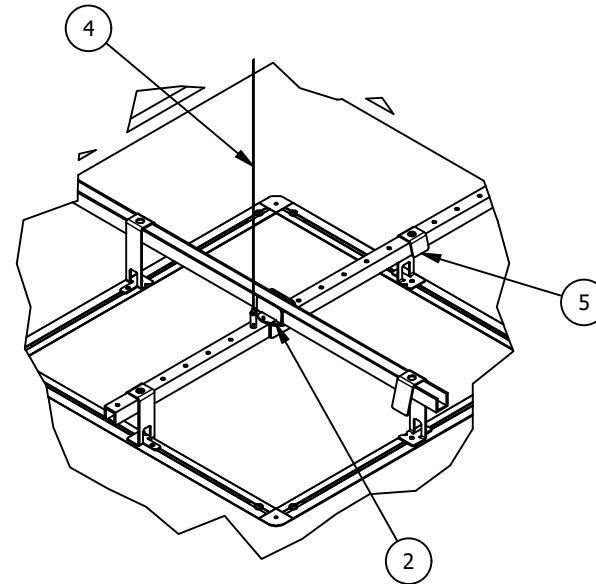
NOTES:

- GROUPING FRAME RAILS ARE 144" LONG AND COME IN CARTON QUANTITIES OF (4). CONSIDER ADDING A 10% SCRAP FACTOR WHEN ORDERING MATERIAL BY UTILIZING THE FOLLOWING EQUATION: $753" * (\# \text{ OF INSTALLATIONS NEEDED}) + 10\% = (\text{TOTAL LINEAL INCHES})/144" = (\# \text{ OF RAILS})/4 = (\# \text{ OF CARTONS})$

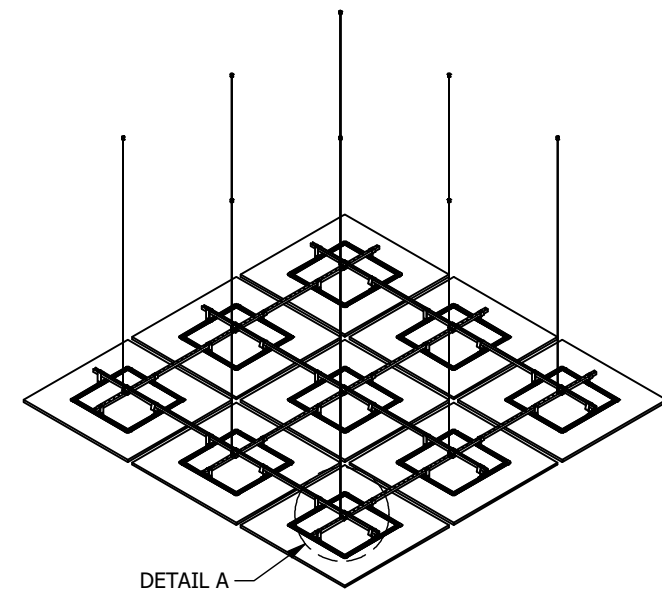
2. REFER TO SHEET 2 FOR GROUPING FRAME RAILS LAYOUT AND CONSTRUCTION



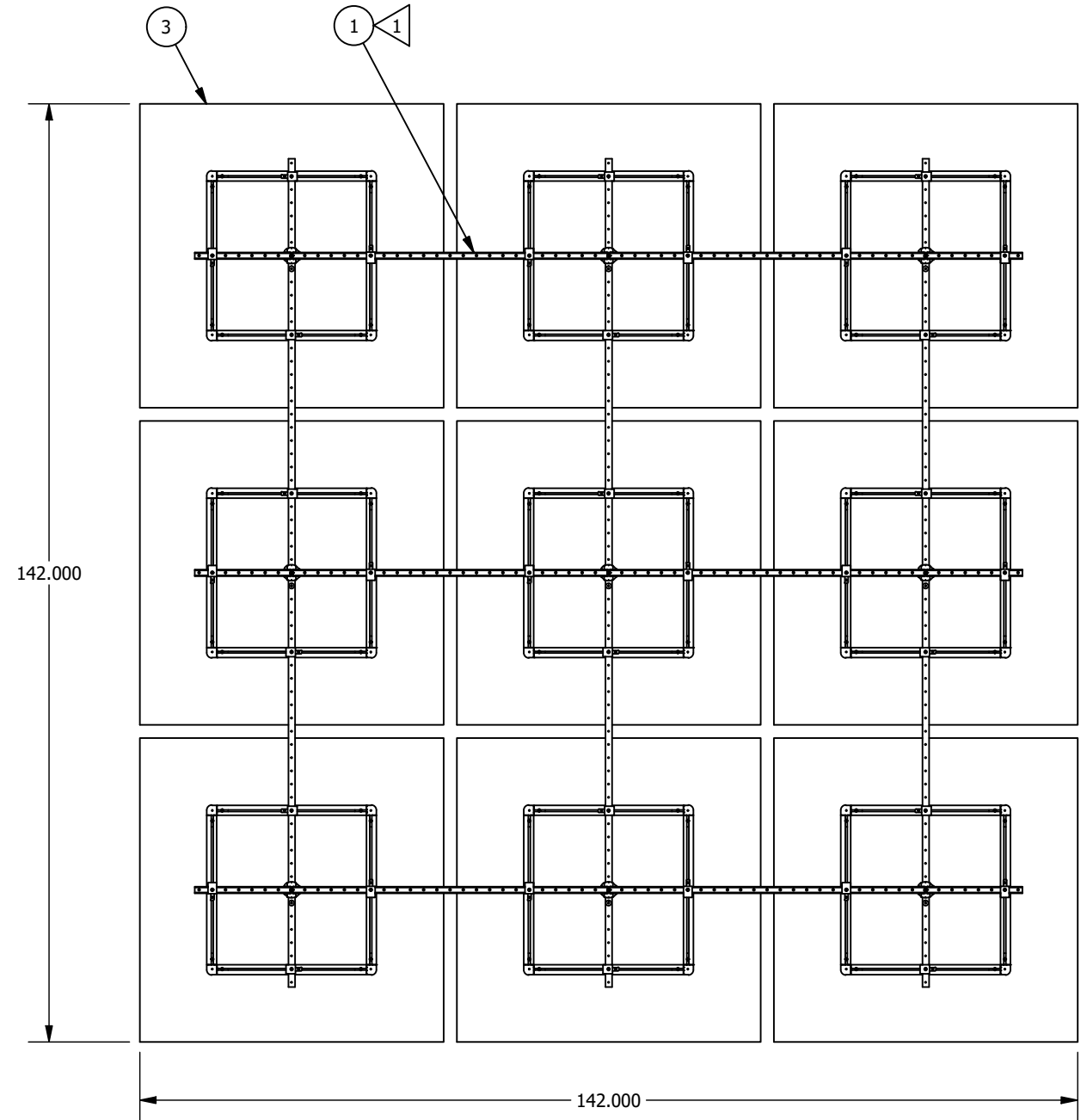
SHADED VIEW
SCALE 1 : 40



DETAIL A
INSTALLATION HARDWARE
DETAIL VIEW
SCALE 1 : 12



ABOVE SYSTEM
ISO VIEW
SCALE 1 : 60



REAR VIEW
SCALE 1 : 25



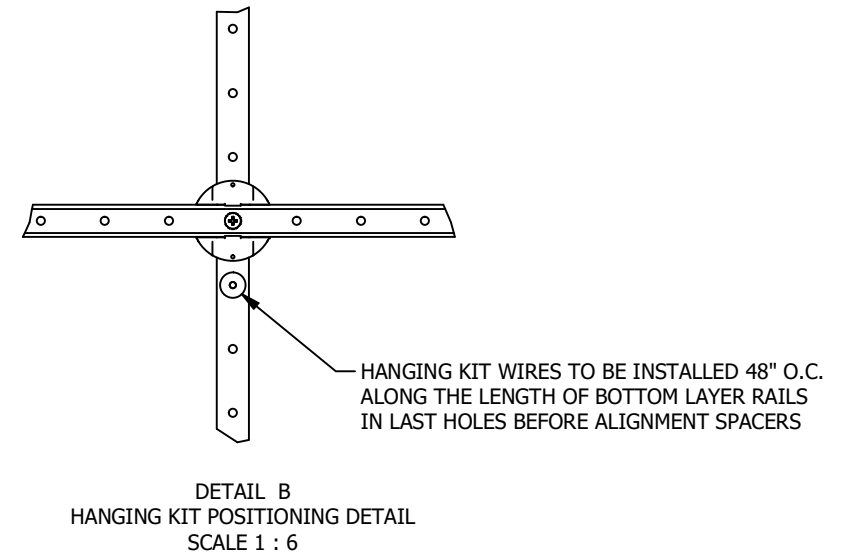
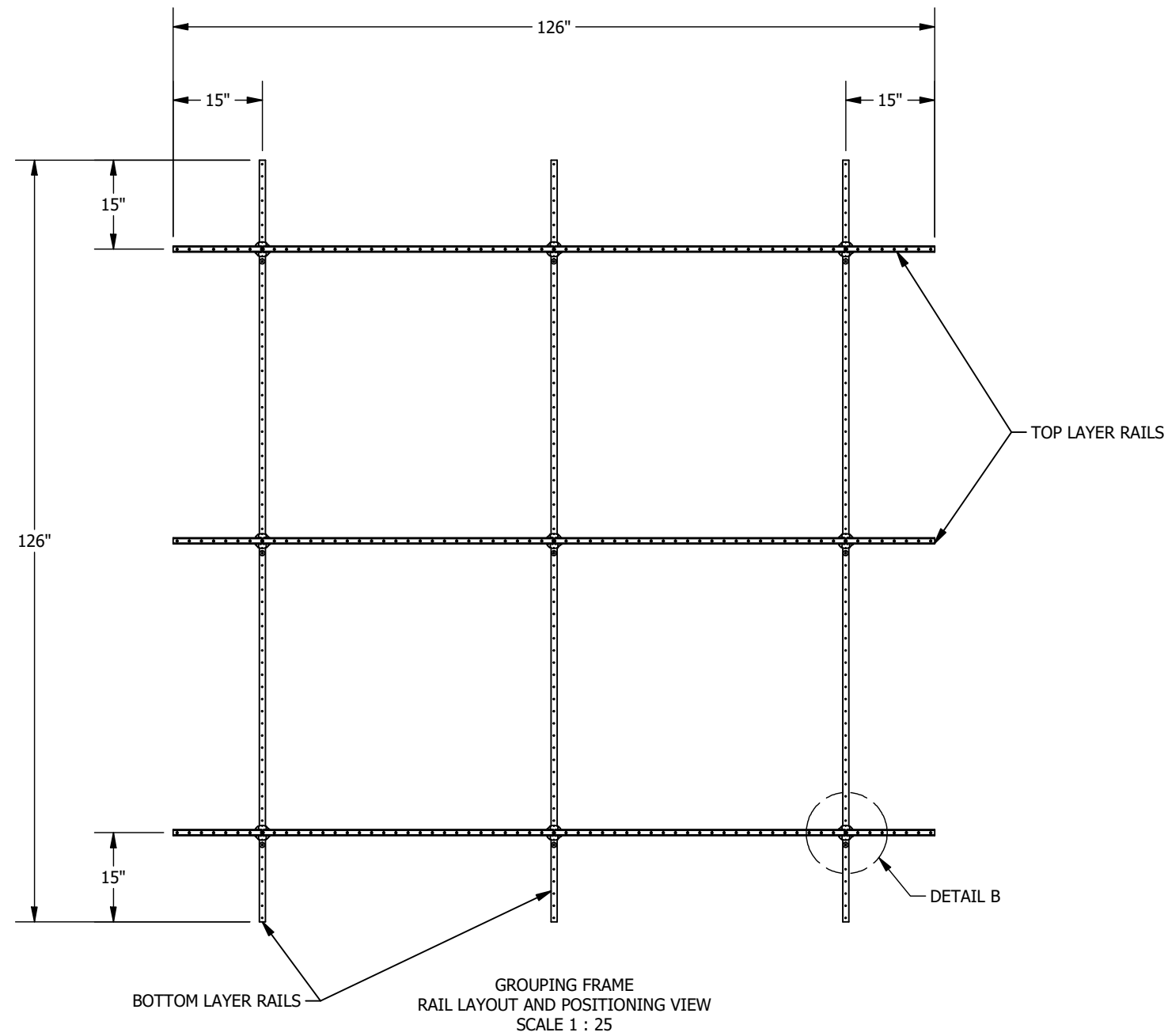
SoundScapes Shapes - SSSH-90-03

DRAWN BY: PRW DATE: 5/21/2024 PD

These drawings show typical conditions which the Armstrong products depicted are installed. They are not a substitute for an architect's or engineer's plan and do not reflect the unique requirements of local building codes, laws, statutes, ordinances, rules and regulations (Legal Requirements) that may be applicable for a particular installation. Armstrong does not warrant, and assumes no liability for the accuracy or completeness of the drawings for a particular installation or their fitness for a particular purpose. The user is advised to consult with a duly licensed architect or engineer in the particular locale of the installation to assure compliance with all legal requirements. Armstrong is not licensed to provide professional architecture or engineering design services.

NOTES:

- ALL SHOWN RAIL DIMENSIONS ARE ROUNDED TO THE NEAREST WHOLE INCH



SoundScapes Shapes - SSSH-90-03

DRAWN BY: PRW DATE: 5/21/2024 PD

These drawings show typical conditions which the Armstrong products depicted are installed. They are not a substitute for an architect's or engineer's plan and do not reflect the unique requirements of local building codes, laws, statutes, ordinances, rules and regulations (Legal Requirements) that may be applicable for a particular installation. Armstrong does not warrant, and assumes no liability for the accuracy or completeness of the drawings for a particular installation or their fitness for a particular purpose. The user is advised to consult with a duly licensed architect or engineer in the particular locale of the installation to assure compliance with all legal requirements. Armstrong is not licensed to provide professional architecture or engineering design services.