

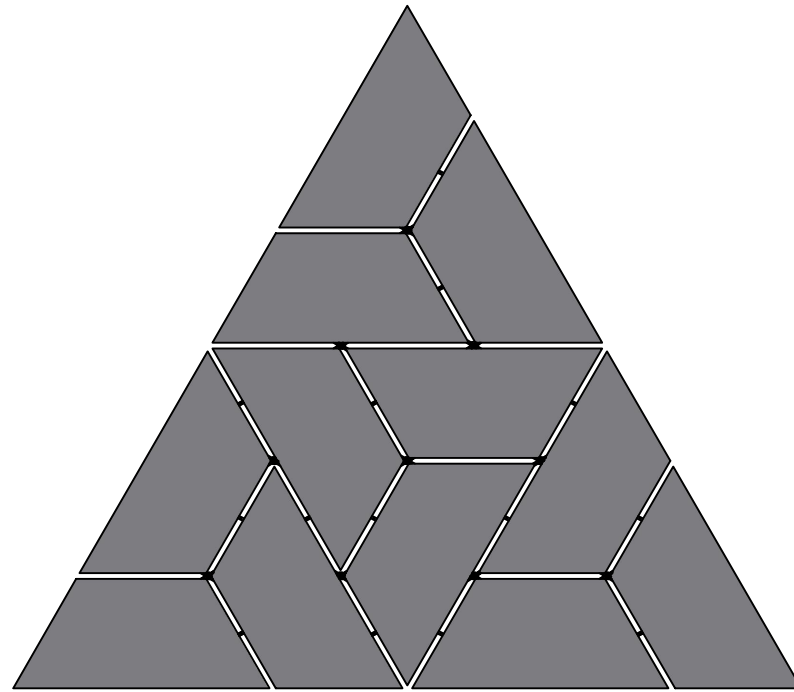
PARTS LIST			
ITEM	ITEM NUMBER	DESCRIPTION	QTY
1	5451	Grouping Frame Kit	2884 in / 21pcs
2	5453D060	Spacer Frame Alignment 60°	14 ctn
3	7101F0?Z01-???	SoundScapes Shapes Trapezoid – 60 degrees	12 pcs
4	5450L8CR	Deck Hanging Kit	23 ctn
5	5454	Panel Hook Kit	18 ctn
6	5452	Frame Splice Kit (See Sheet 2)	5 ctn

1

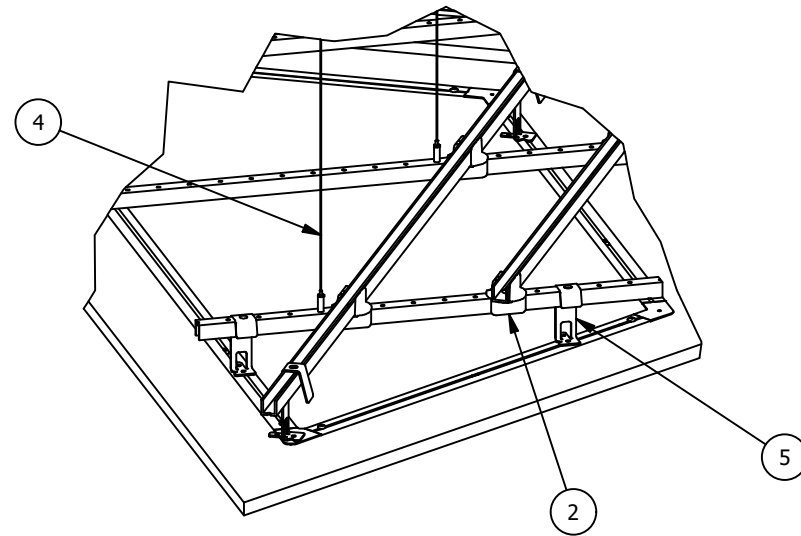
NOTES:

1. GROUPING FRAME RAILS ARE 144" LONG AND COME IN CARTON QUANTITIES OF (4). CONSIDER ADDING A 10% SCRAP FACTOR WHEN ORDERING MATERIAL BY UTILIZING THE FOLLOWING EQUATION:  $2884" * (\# \text{ OF INSTALLATIONS NEEDED}) + 10\% = (\text{TOTAL LINEAL INCHES})/144" = (\# \text{ OF RAILS})/4 = (\# \text{ OF CARTONS})$

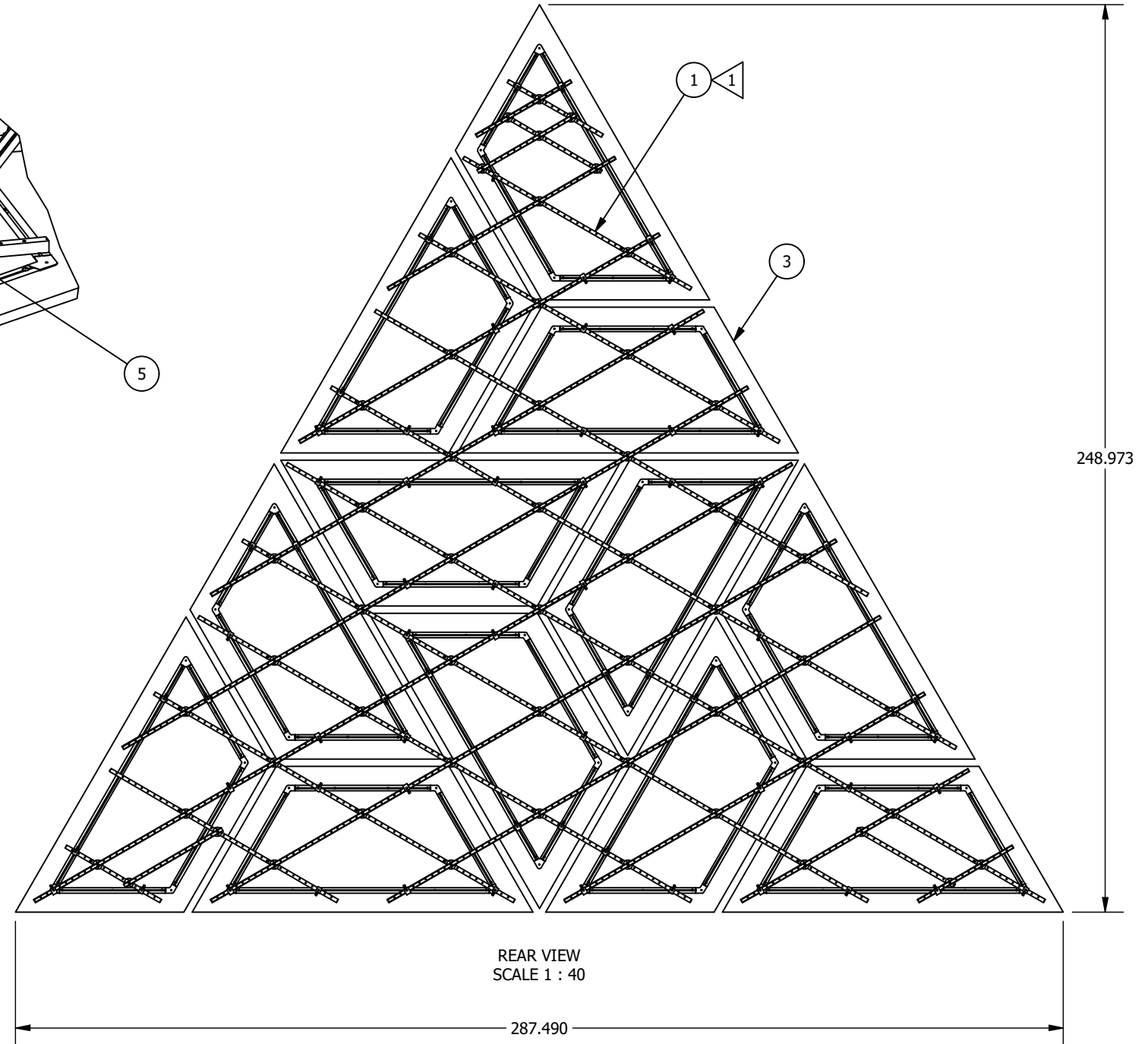
2. REFER TO SHEET 2 FOR GROUPING FRAME RAILS LAYOUT AND CONSTRUCTION



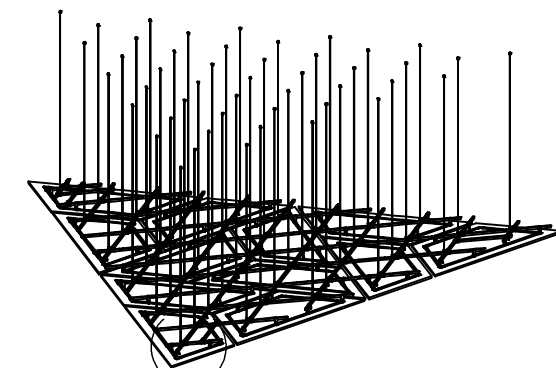
SHADED VIEW  
SCALE 1 : 70



DETAIL A  
INSTALLATION HARDWARE  
DETAIL VIEW  
SCALE 1 : 12



REAR VIEW  
SCALE 1 : 40



DETAIL A  
ABOVE SYSTEM  
ISO VIEW  
SCALE 1 : 100

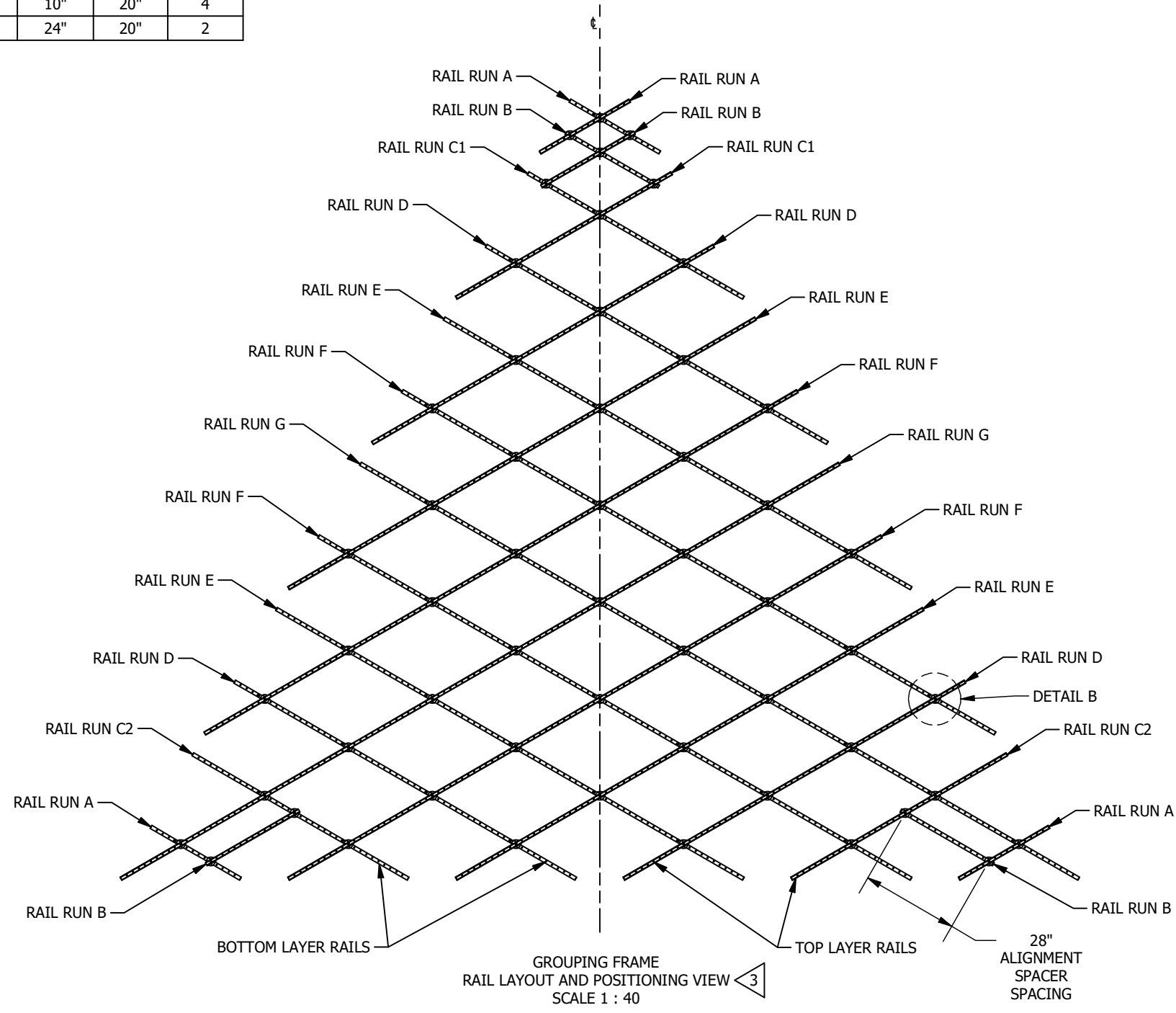
**Armstrong**  
CEILING & WALL SOLUTIONS

SoundScapes Shapes - SSSH-60-04

DRAWN BY: PRW DATE: 5/17/2024 PD

These drawings show typical conditions which the Armstrong products depicted are installed. They are not a substitute for an architect's or engineer's plan and do not reflect the unique requirements of local building codes, laws, statutes, ordinances, rules and regulations (Legal Requirements) that may be applicable for a particular installation. Armstrong does not warrant, and assumes no liability for the accuracy or completeness of the drawings for a particular installation or their fitness for a particular purpose. The user is advised to consult with a duly licensed architect or engineer in the particular locale of the installation to assure compliance with all legal requirements. Armstrong is not licensed to provide professional architecture or engineering design services.

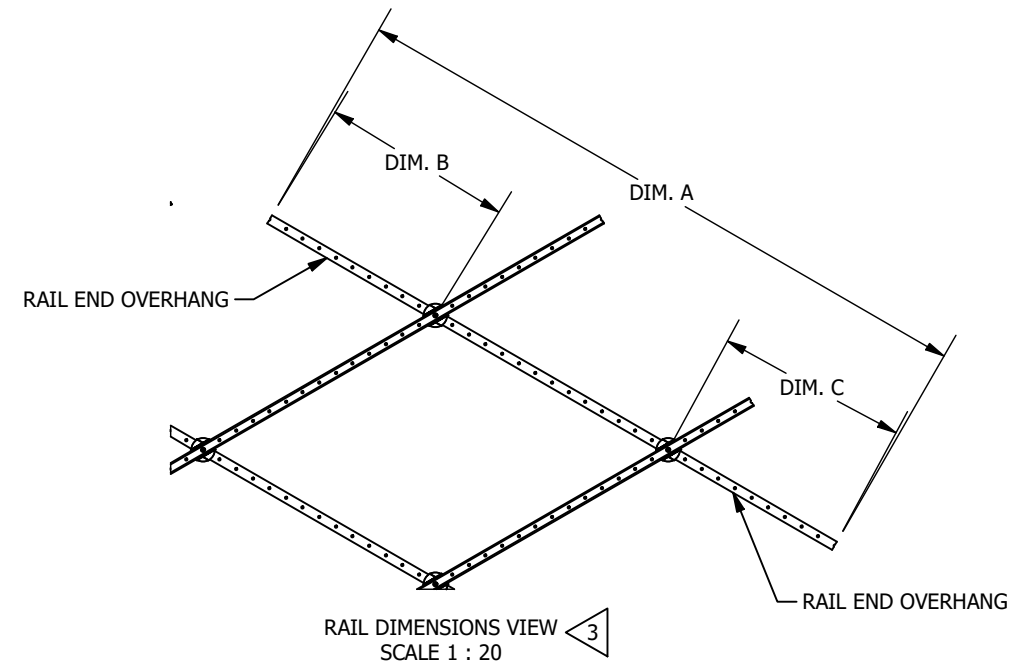
RAIL DIMENSIONS PART TABLE				
RAIL RUN PART NUMBER	DIM. A	DIM. B	DIM. C	QTY
RAIL RUN A	30"	10"	10"	4
RAIL RUN B	31"	2"	2"	4
RAIL RUN C1	72"	6"	20"	2
RAIL RUN C2	72"	24"	20"	2
RAIL RUN D	114"	10"	20"	4
RAIL RUN E	156"	24"	20"	4
RAIL RUN F	198"	10"	20"	4
RAIL RUN G	240"	24"	20"	2



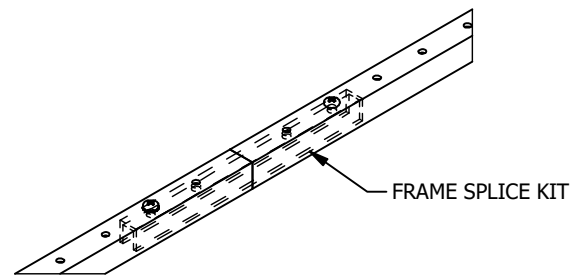
GROUPING FRAME RAIL LAYOUT AND POSITIONING VIEW SCALE 1 : 40

NOTES:

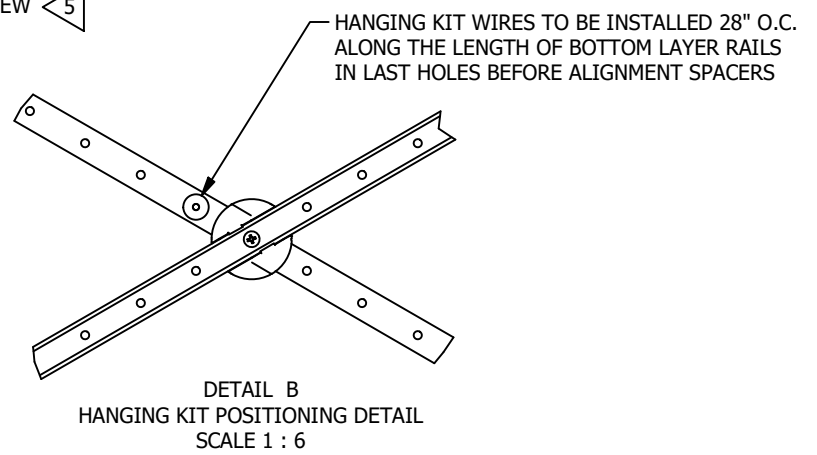
- 3. REFER TO THE RAIL DIMENSIONS VIEW AND THE RAIL DIMENSIONS PART TABLE WHILE BUILDING THE FRAMING LAYOUT TO DETERMINE OVERALL RAIL LENGTHS AND RAIL ENDS OVERHANG
- 4. ALL SHOWN RAIL DIMENSIONS ARE ROUNDED TO THE NEAREST WHOLE INCH
- 5. WHEN APPLICABLE, GROUPING FRAME RAIL RUNS SHOWN IN GROUPING FRAME LAYOUT MUST BE SPLICED EVERY 144" WHERE RAIL ENDS MEET AS SHOWN BELOW IN RAIL SPLICE VIEW



RAIL DIMENSIONS VIEW SCALE 1 : 20



RAIL SPLICE VIEW SCALE 1 : 6



DETAIL B HANGING KIT POSITIONING DETAIL SCALE 1 : 6

These drawings show typical conditions which the Armstrong products depicted are installed. They are not a substitute for an architect's or engineer's plan and do not reflect the unique requirements of local building codes, laws, statutes, ordinances, rules and regulations (Legal Requirements) that may be applicable for a particular installation. Armstrong does not warrant, and assumes no liability for the accuracy or completeness of the drawings for a particular installation or their fitness for a particular purpose. The user is advised to consult with a duly licensed architect or engineer in the particular locale of the installation to assure compliance with all legal requirements. Armstrong is not licensed to provide professional architecture or engineering design services.