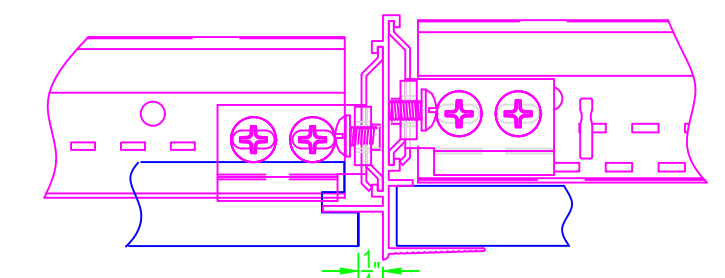
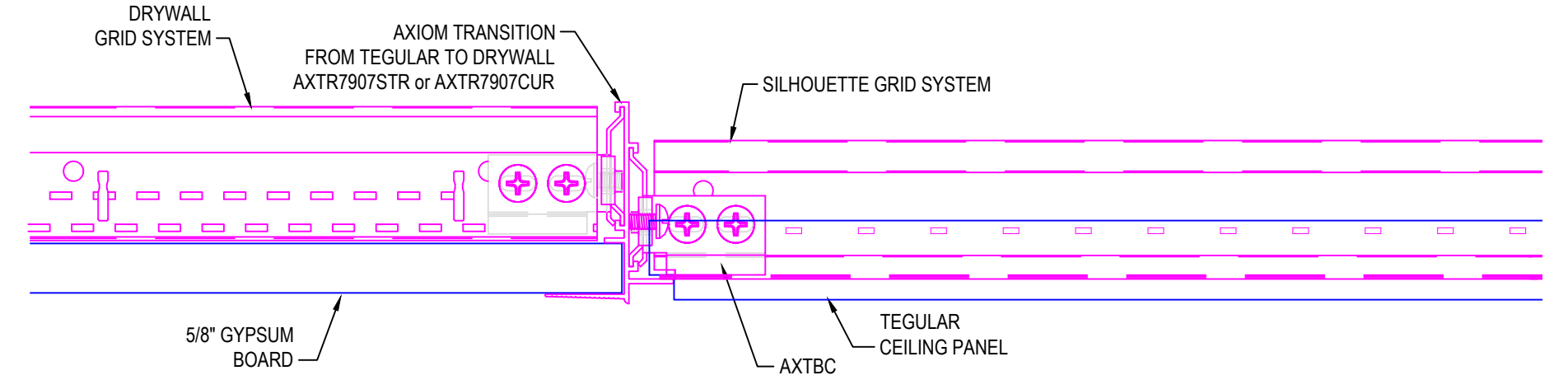
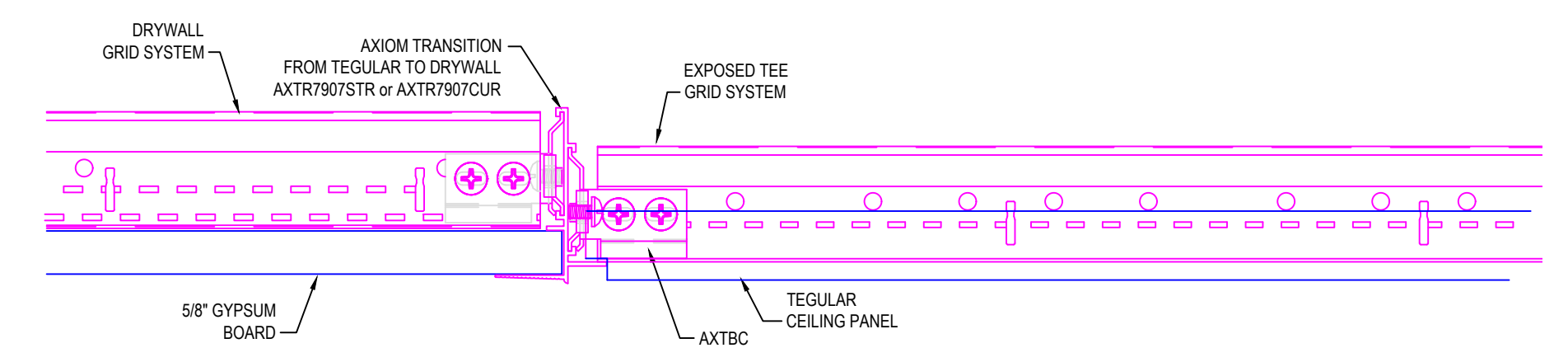
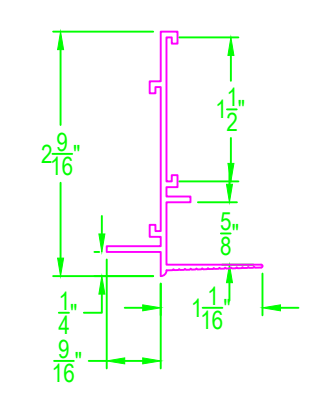
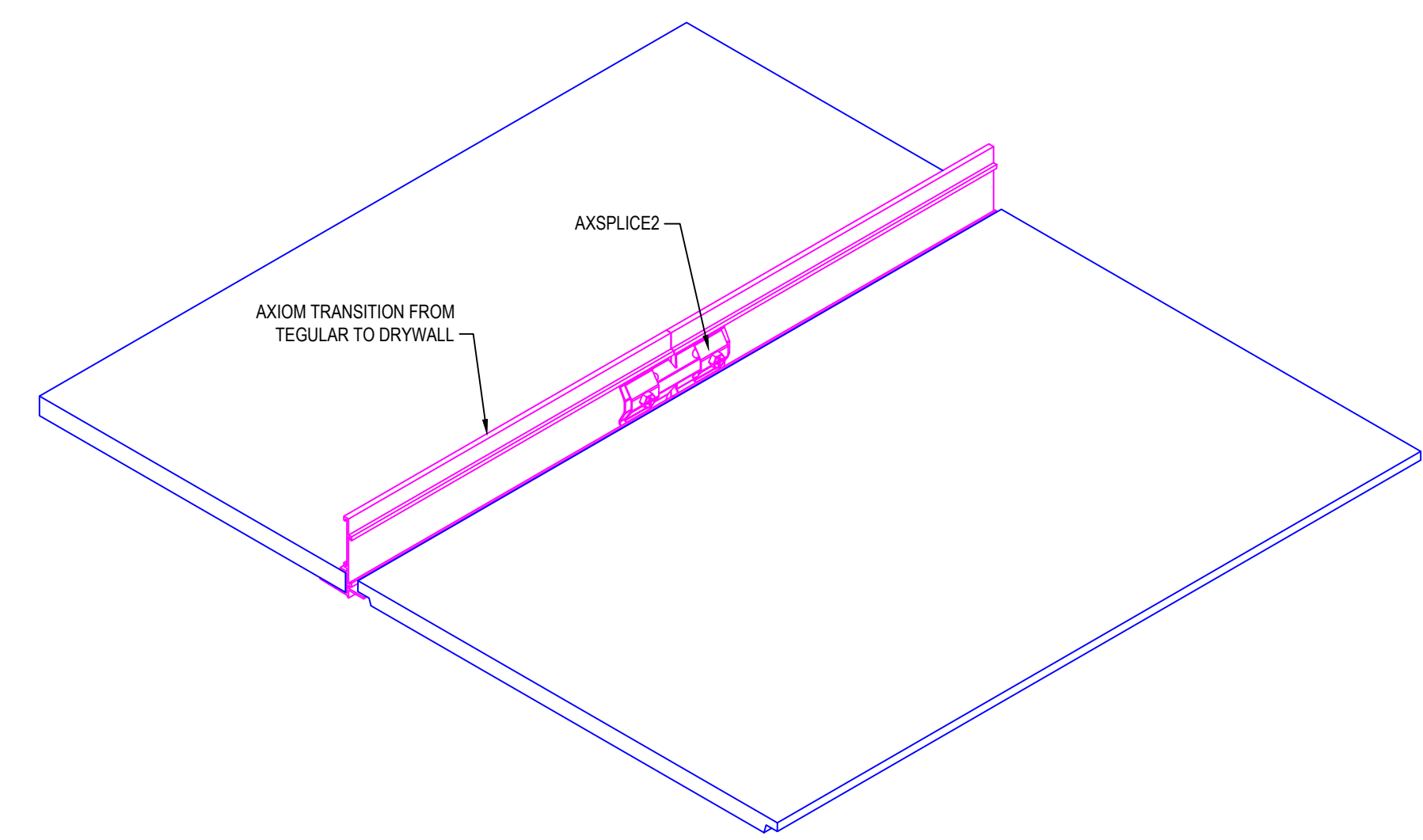
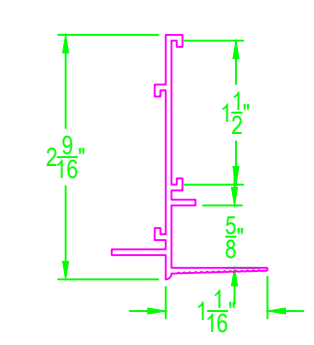
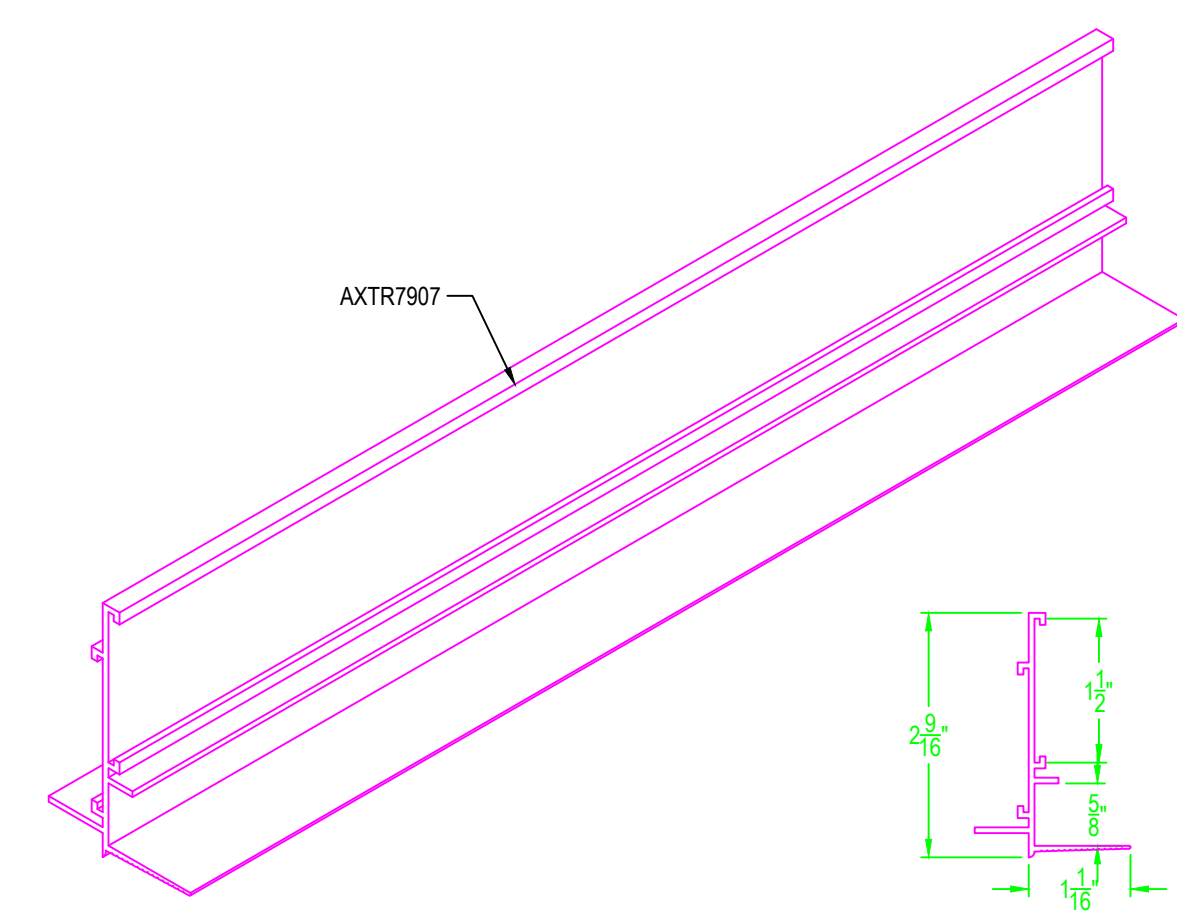
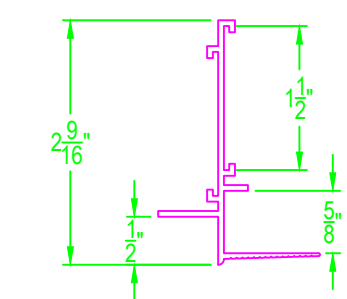


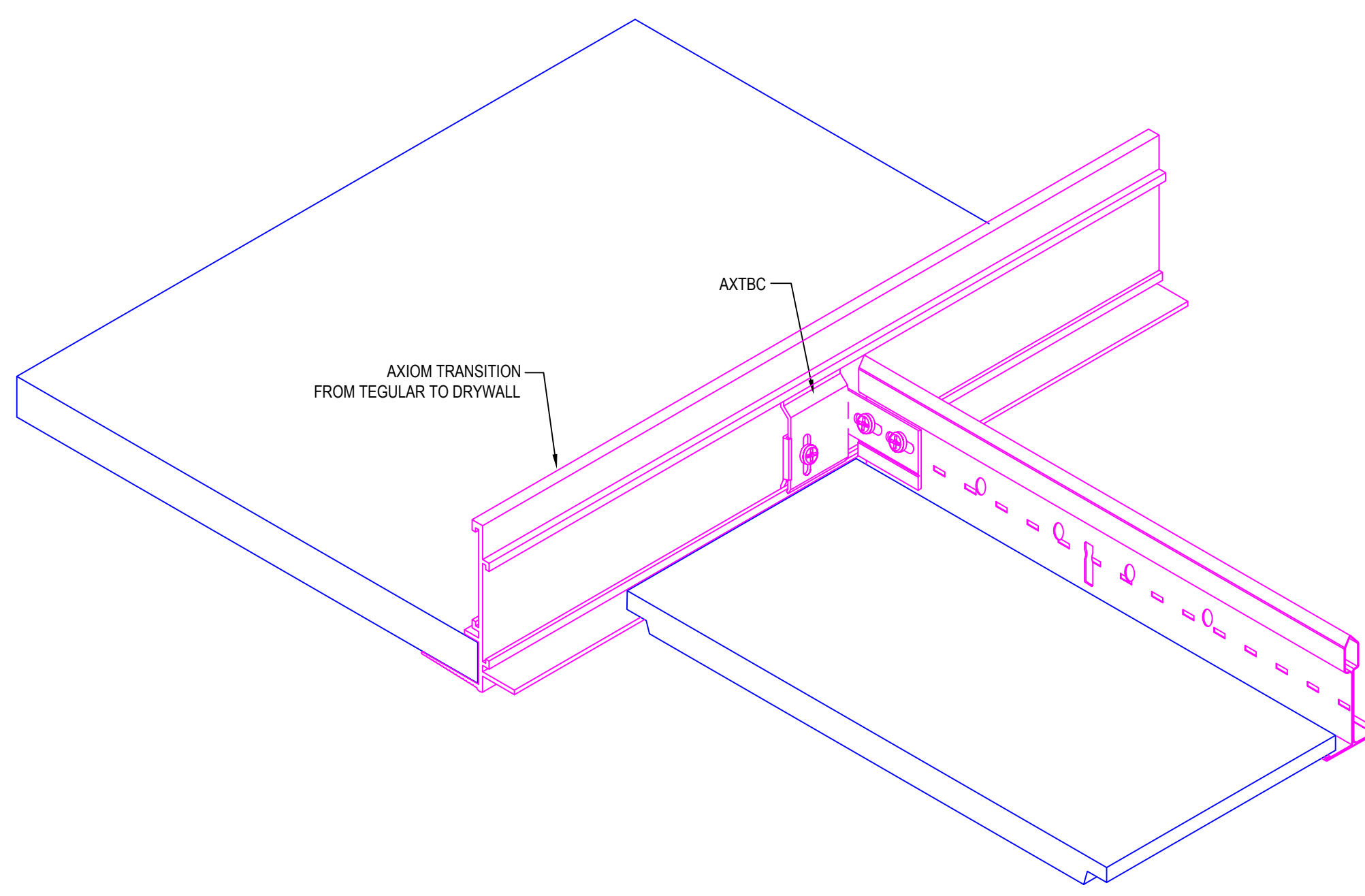
AXTR7907



AXTRVESTR / AXTRVECUR

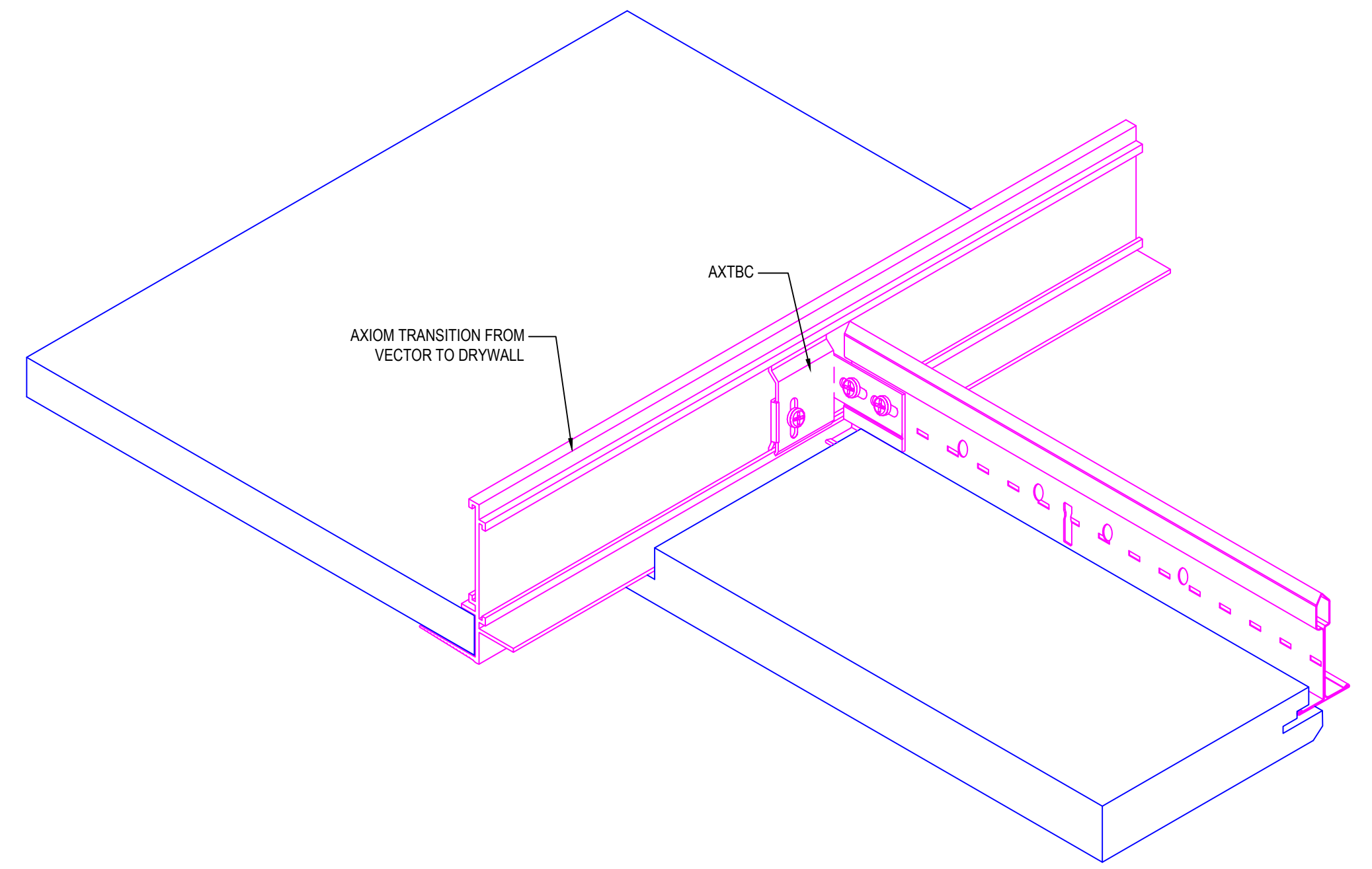


AXSPUCE2



AXTR7907

AXTRVECUR



AXTRVESTR / AXTRVECUR

AXTR7907

<p>These drawings show typical conditions in which the Armstrong product depicted is installed. They are not a substitute for an architect's or engineer's plan and do not reflect the unique requirements of local building codes, laws, ordinances, rules and regulations (Legal Requirements) that may be applicable for a particular installation.</p> <p>Armstrong does not warrant, and assumes no liability for the accuracy or completeness of the drawings for a particular installation or their fitness for a particular purpose. The user is advised to consult with a duly licensed architect or engineer in the particular locale of the installation to assure compliance with all Legal Requirements.</p> <p>Armstrong is not licensed to provide professional architecture or engineering design services.</p>		<p>PROJECT NAME: AXIOM TRANSITIONS MASTER SHEETS</p>	
<p>DWG. NO. SHEET 3</p>		<p>REV: . . . DATE: . . .</p>	
<p>DATE: 6/16/2020</p>		<p>SCALE: . . .</p>	
<p>DRAWN BY: MAP</p>		<p>CHK BY: . . .</p>	
<p><b>Techline</b></p>		<p>ARMSTRONG CEILING SYSTEMS * ARMSTRONG WORLD INDUSTRIES, INC. * Lancaster, PA * Phone: 877-ARMSTRONG</p>	

