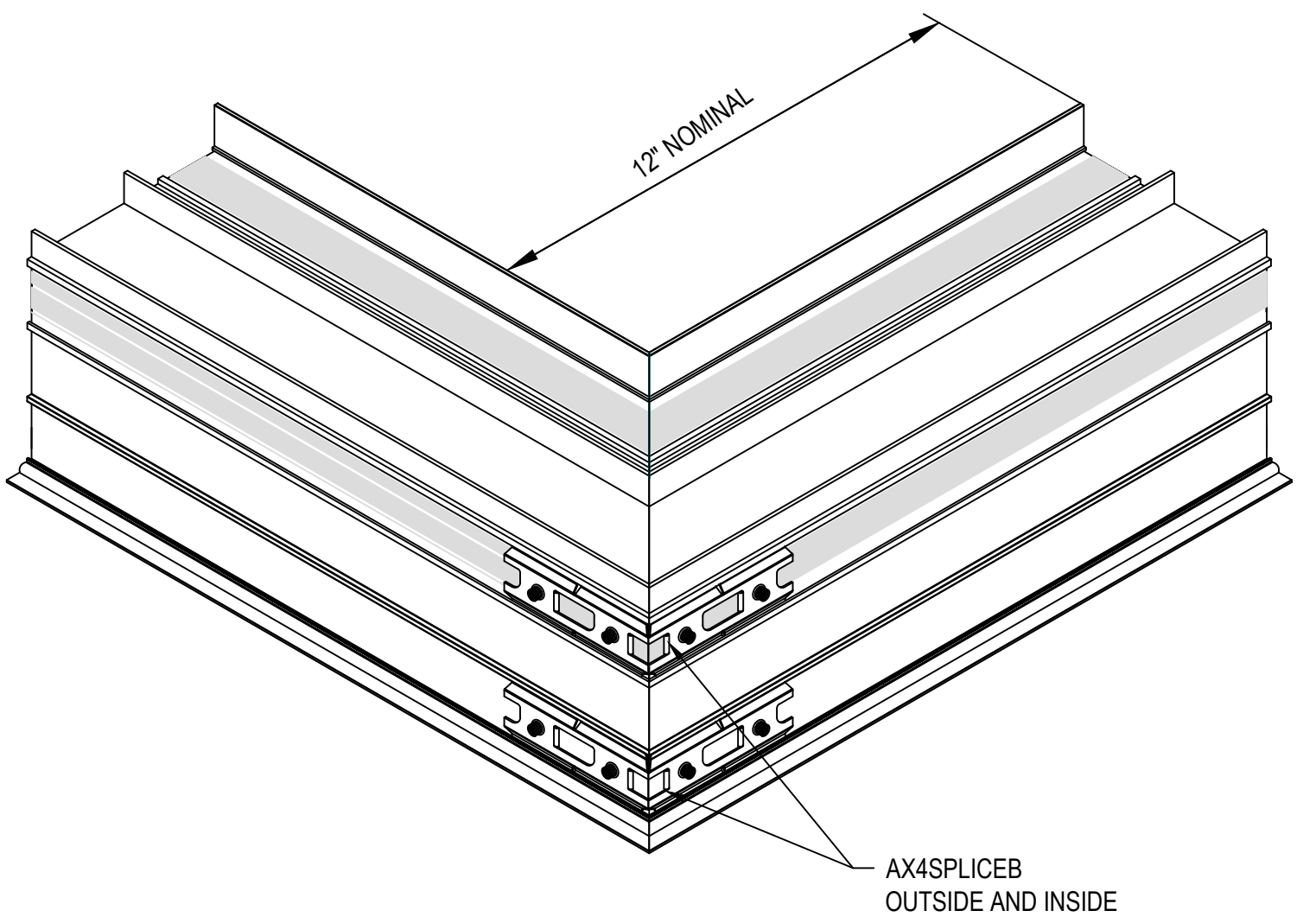


NO POCKET DRYWALL TAPING FLANGE  
3/8" REVEAL WITH CLOSURE CLIP ATTACHMENT  
(ITEM AXP355C)

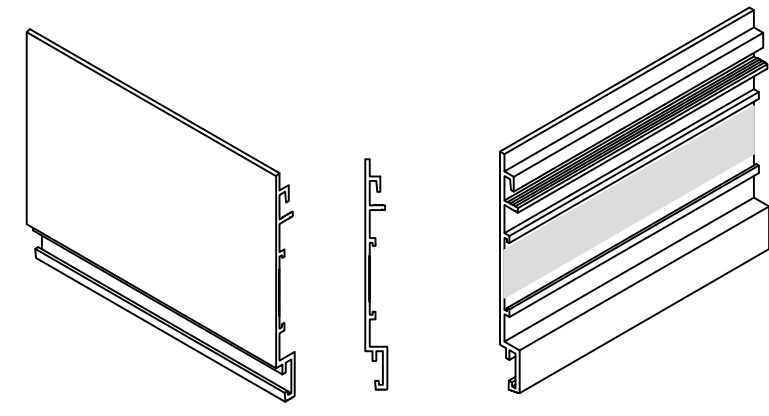
NO POCKET 3/4" ACOUSTICAL FLANGE  
WITH CLOSURE CLIP ATTACHMENT  
(ITEM AXP355C)

NO POCKET DRYWALL TAPING FLANGE  
WITH CLOSURE CLIP ATTACHMENT  
(ITEM AXP355C)

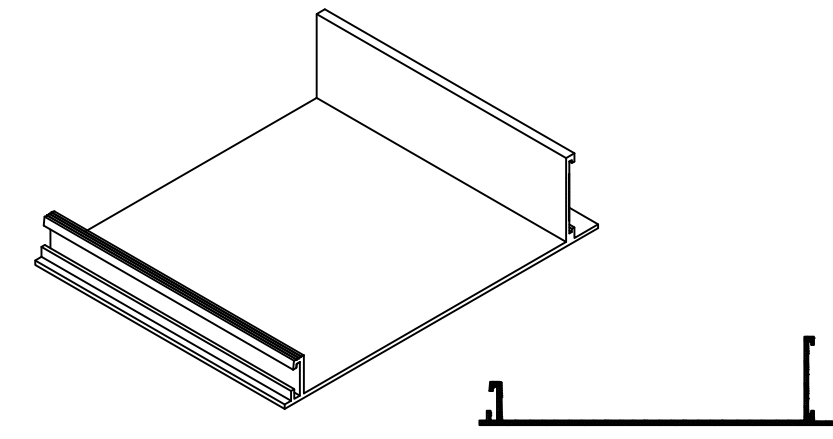
NO POCKET 1-1/4" ACOUSTICAL FLANGE  
WITH CLOSURE CLIP ATTACHMENT  
(ITEM AXP355C)



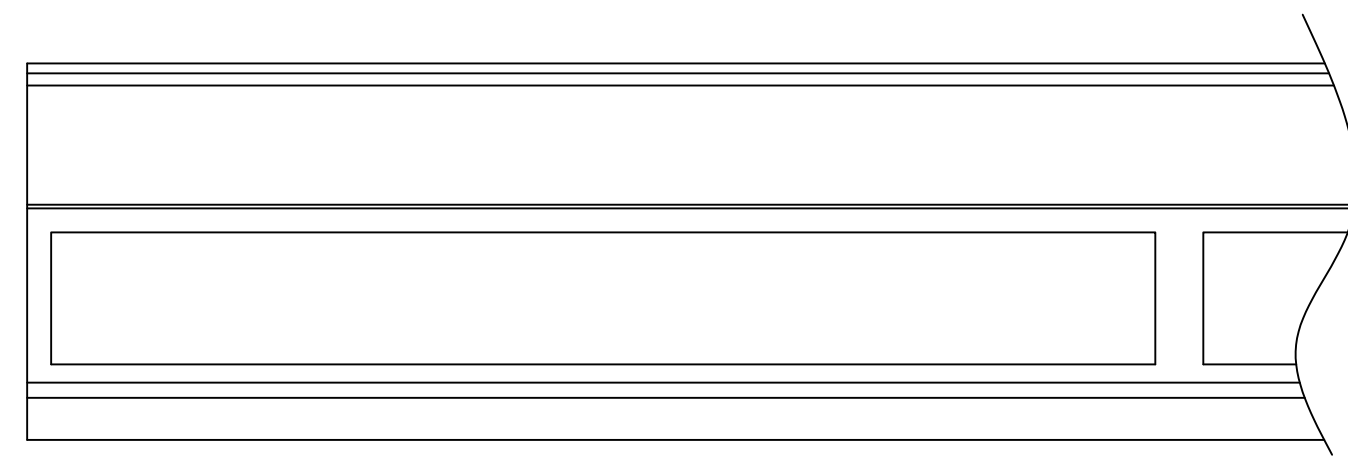
<small>These drawings show typical conditions in which the Armstrong product depicted is installed. They are not a substitute for an architect or engineer's plan and do not reflect the unique requirements of local building codes, laws, ordinances, rules and regulations (Legal Requirements) that may be applicable for a particular installation.</small>			
<small>Armstrong does not warrant, and assumes no liability for the accuracy or completeness of the drawings for a particular installation or their fitness for a particular purpose. The user is advised to consult with a duly licensed architect or engineer in the particular locale of the installation to assure compliance with all Legal Requirements.</small>			
<small>Armstrong is not licensed to provide professional architecture or engineering design services.</small>			
<b>PROJECT NAME:</b> AXIOM BUILDING PERIMETER SYSTEM LITERATURE DETAILS		REV: . . . DATE: . . .	
DWG. NO. SHEET 1 - POCKETS	SCALE: . . .	DESC: . . .	
DATE: 3/25/2020	DRAWN BY: MAP	CHK BY: . . .	
<b>Techn</b>		ARMSTRONG CEILING SYSTEMS * ARMSTRONG WORLD INDUSTRIES, INC. * Lancaster, PA * Phone: 877-ARMSTRONG	



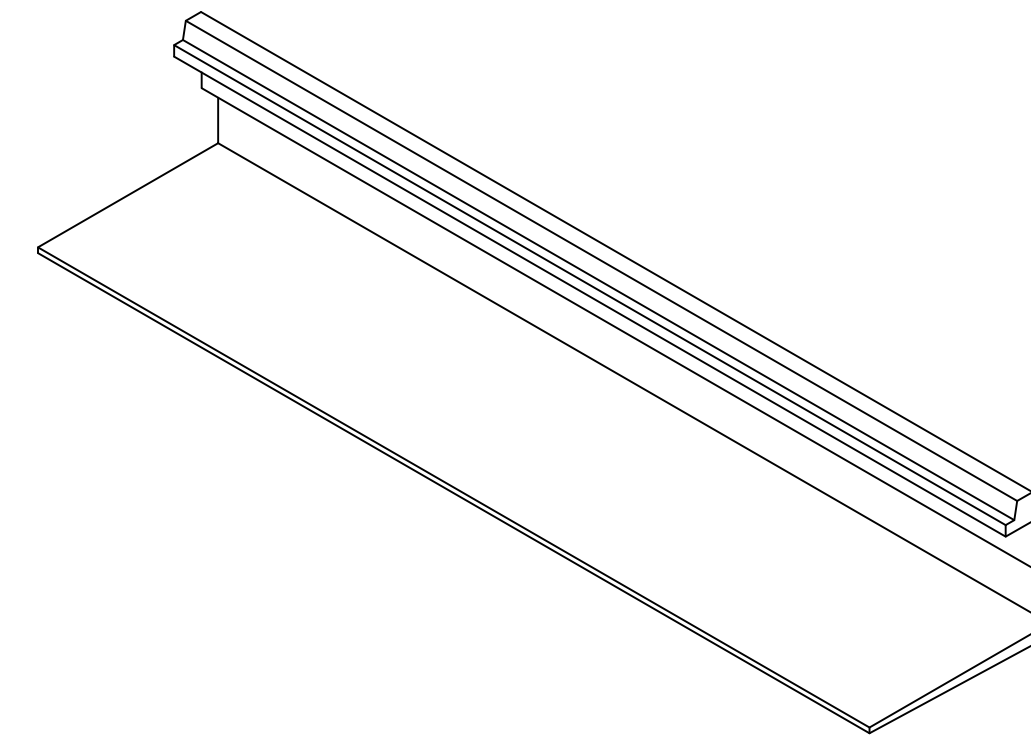
AXPEPH  
(EXTENSION)



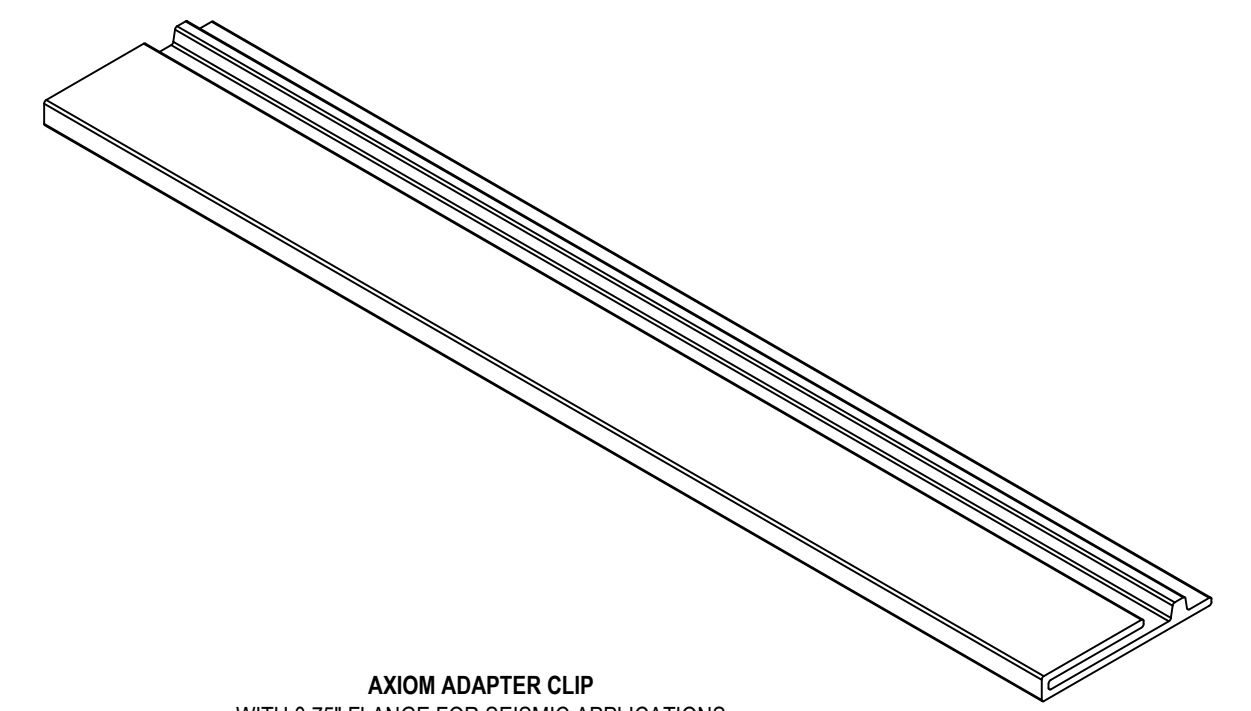
AXPDFP7  
(FACE PLATE)



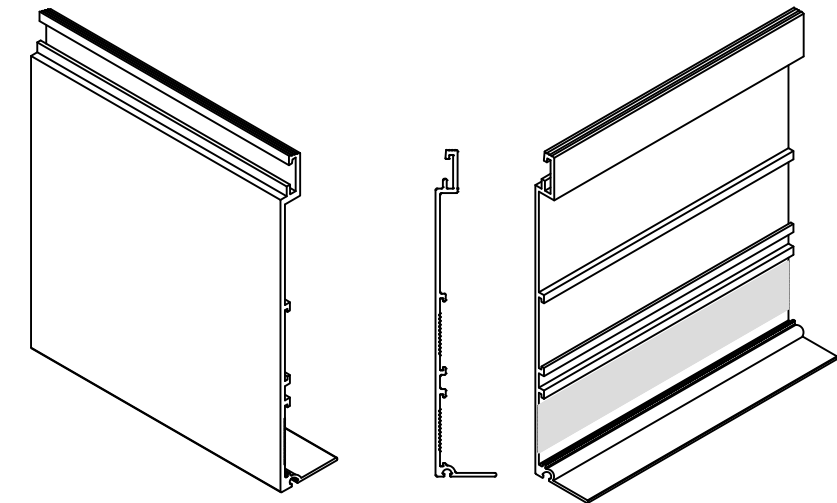
AXPDFPS7SLB  
(FACE PLATE)



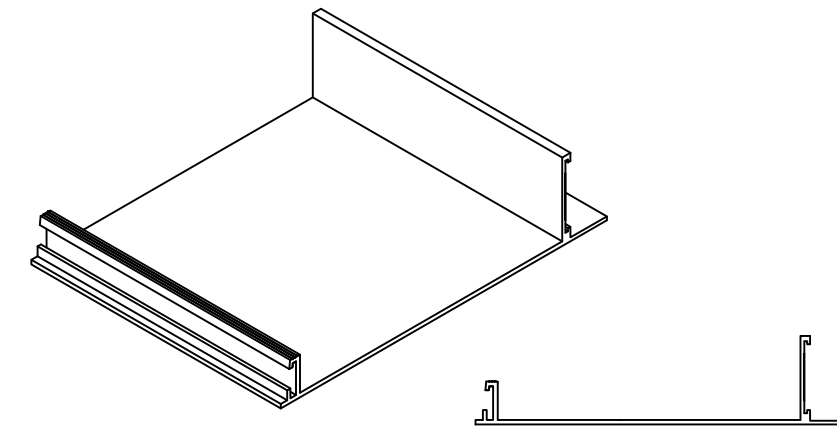
AXIOM BOTTOM DRYWALL TRIM  
STRAIGHT FOR 5/8" DRYWALL  
(ITEM AXBTSTR)



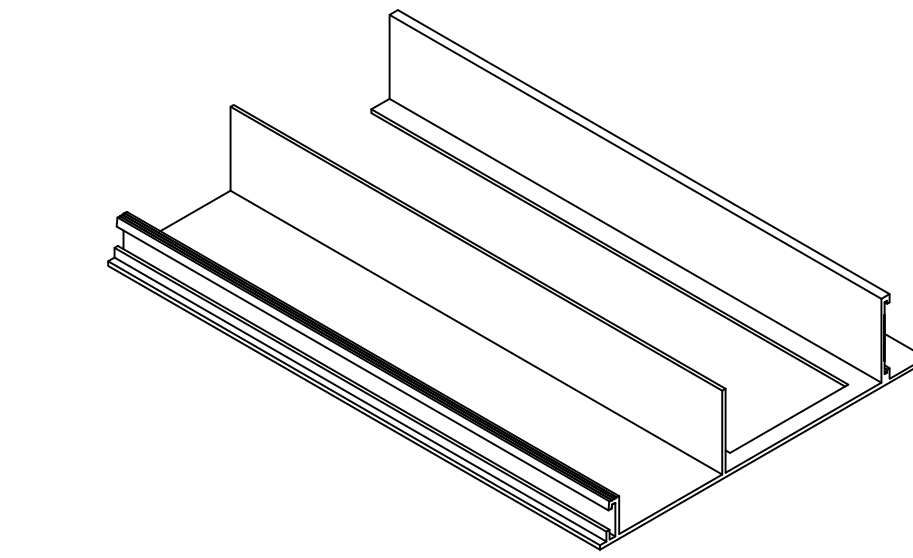
AXIOM ADAPTER CLIP  
WITH 0.75" FLANGE FOR SEISMIC APPLICATIONS  
(ITEM AXSA7S)



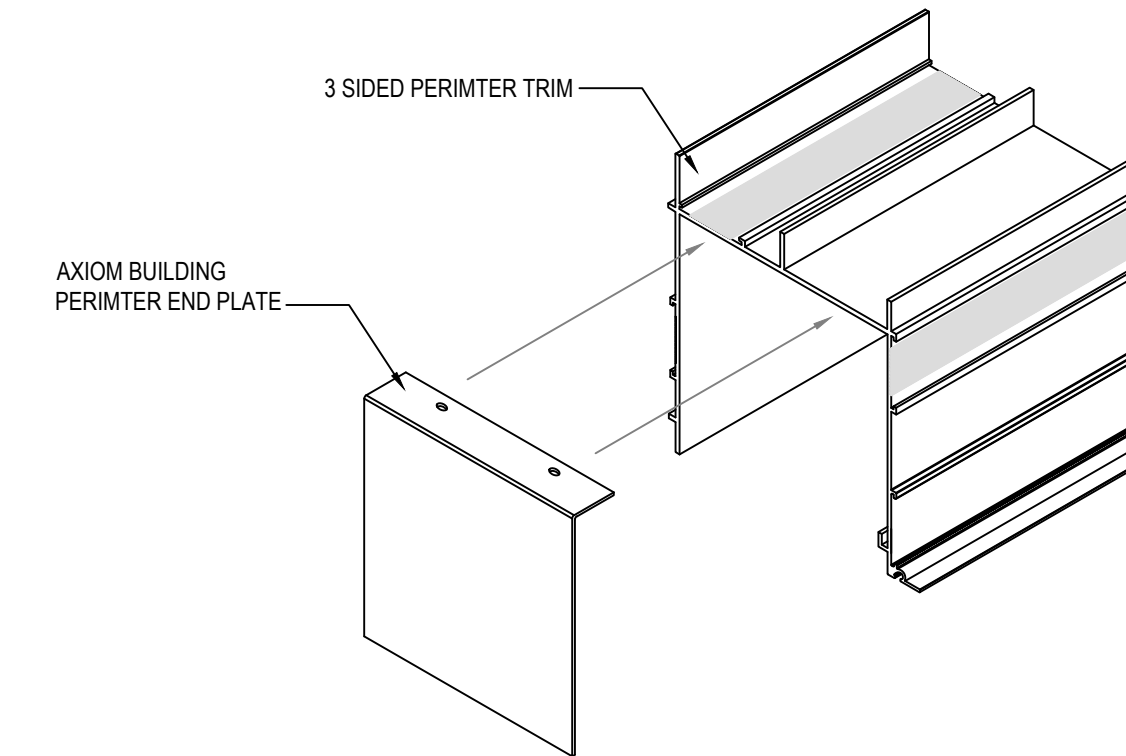
AXPEPS6  
(EXTENSION)



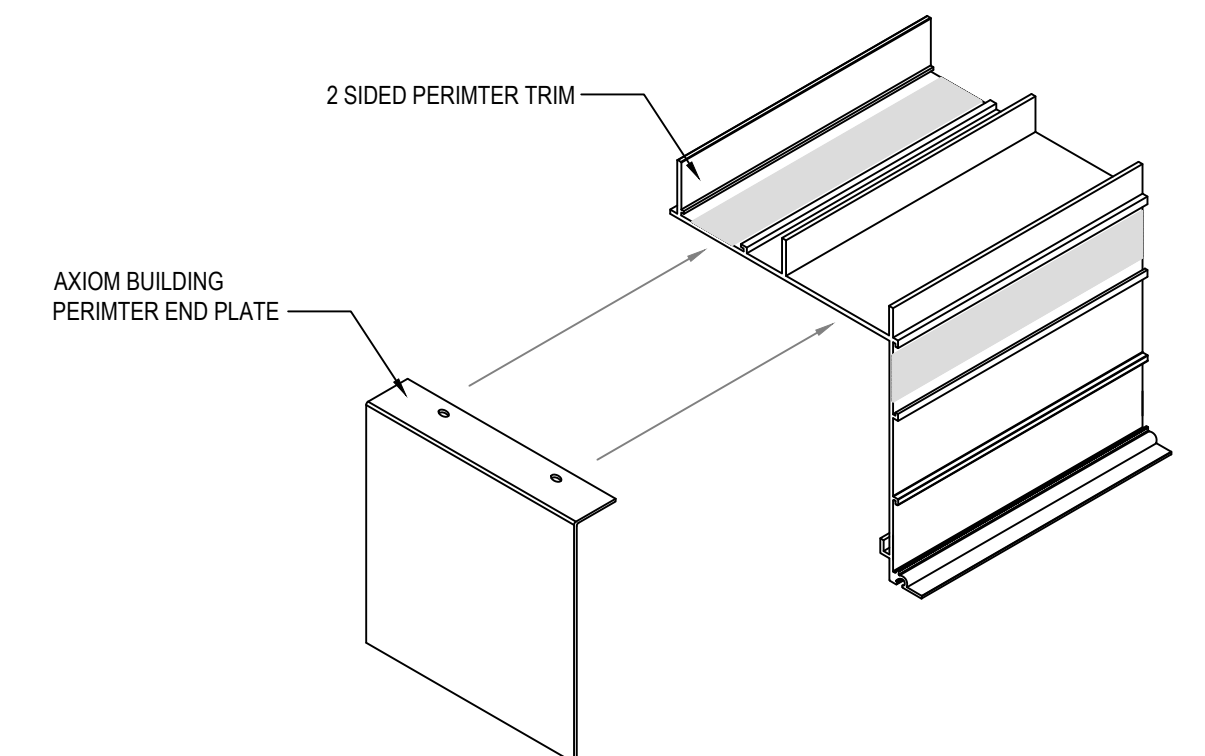
AXPDFPS7  
(FACE PLATE)



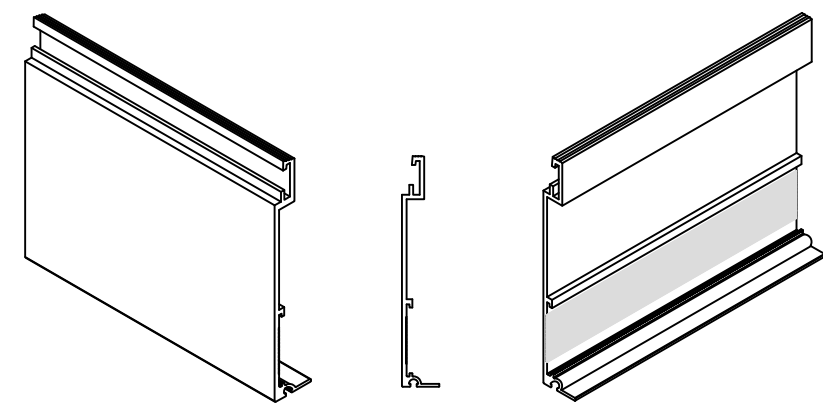
AXPDFPS7SLA  
(FACE PLATE)



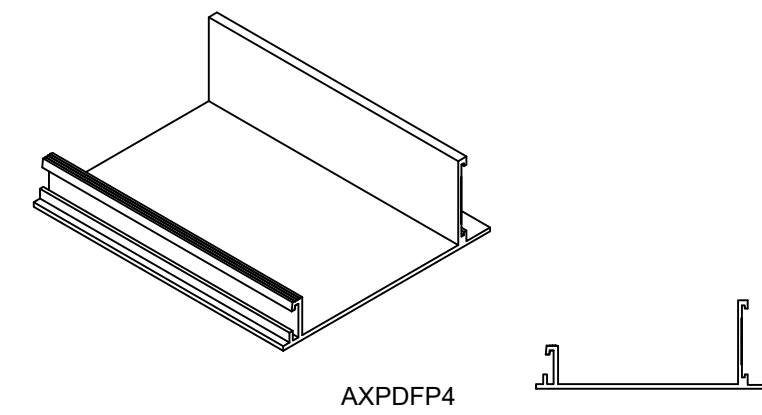
AXIOM BUILDING PERIMETER END PLATE (3 SIDED)  
PROVIDES A CAPPING AT THE END OF THE PERIMETER POCKET  
(ITEM AXPCPC)



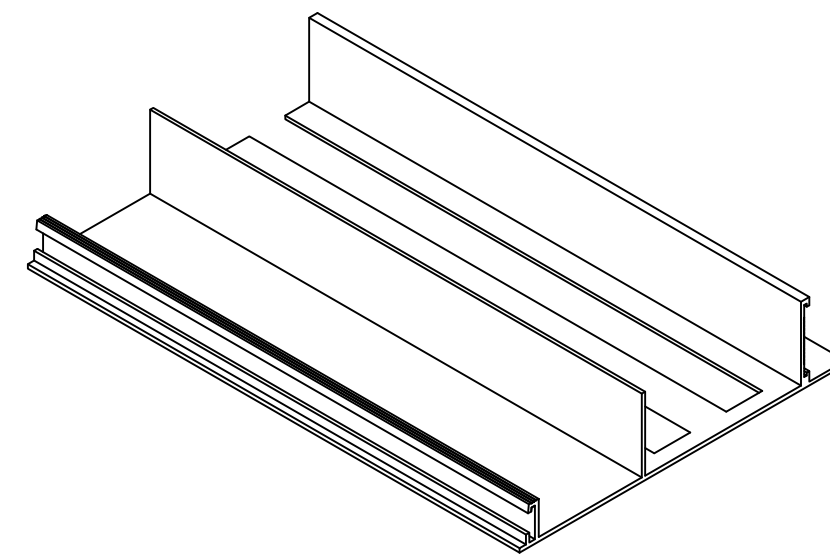
AXIOM BUILDING PERIMETER END PLATE (2 SIDED)  
PROVIDES A CAPPING AT THE END OF THE PERIMETER POCKET  
(ITEM AXPCPV)



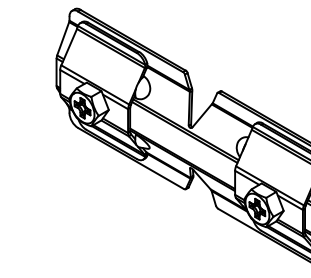
AXPEP4  
(EXTENSION)



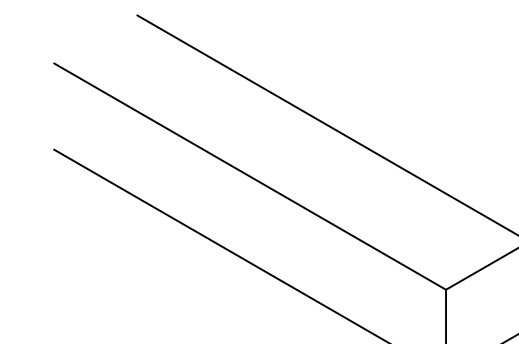
AXPDFP4  
(FACE PLATE)



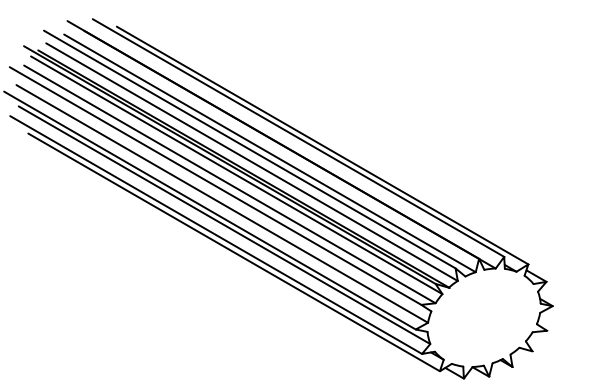
AXPDFPS7SLA  
(FACE PLATE)



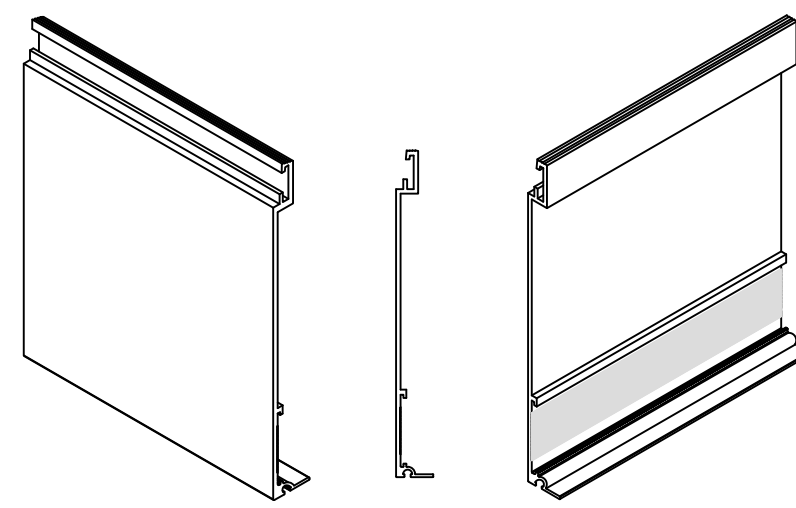
AXIOM SPLICE PLATE  
(ITEM AXSPICE2)



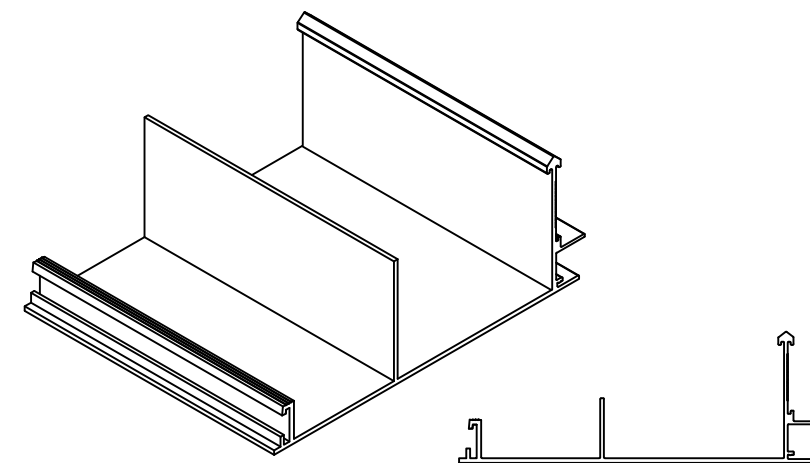
FOAM GASKETING  
(ITEM AXFFG)



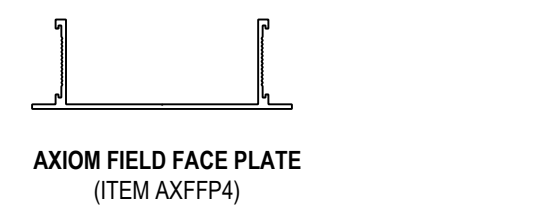
AXIOM BUILDING PERIMETER INTERLOCKING SPLINE  
(ITEM AXPSPLINE)



AXPEP6  
(EXTENSION)



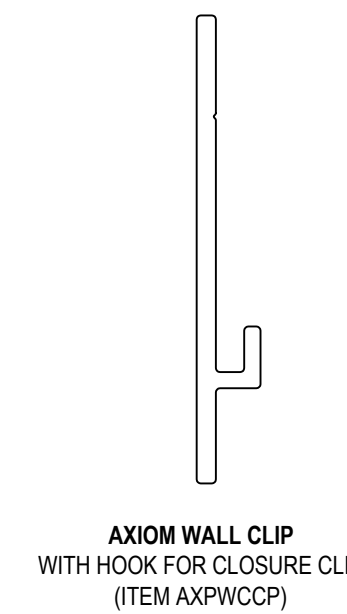
AXPDFP7DT  
(FACE PLATE)



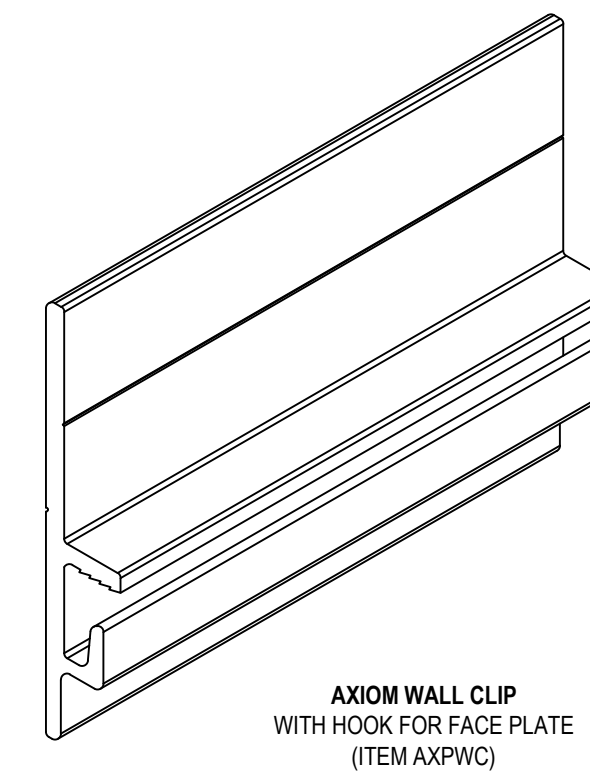
AXIOM FIELD FACE PLATE  
(ITEM AXFFP4)



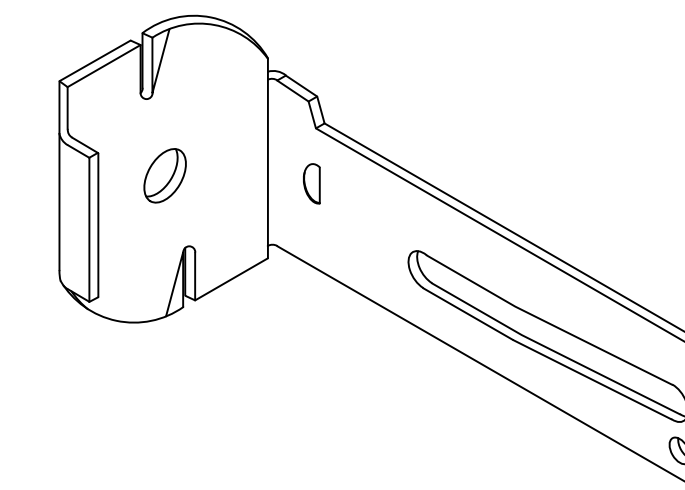
AXIOM FIELD FACE PLATE  
(ITEM AXFFP6)



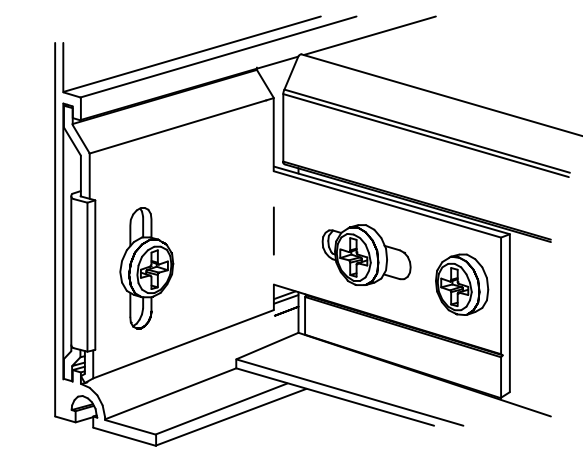
AXIOM WALL CLIP  
WITH HOOK FOR CLOSURE CLIP  
(ITEM AXWCCP)



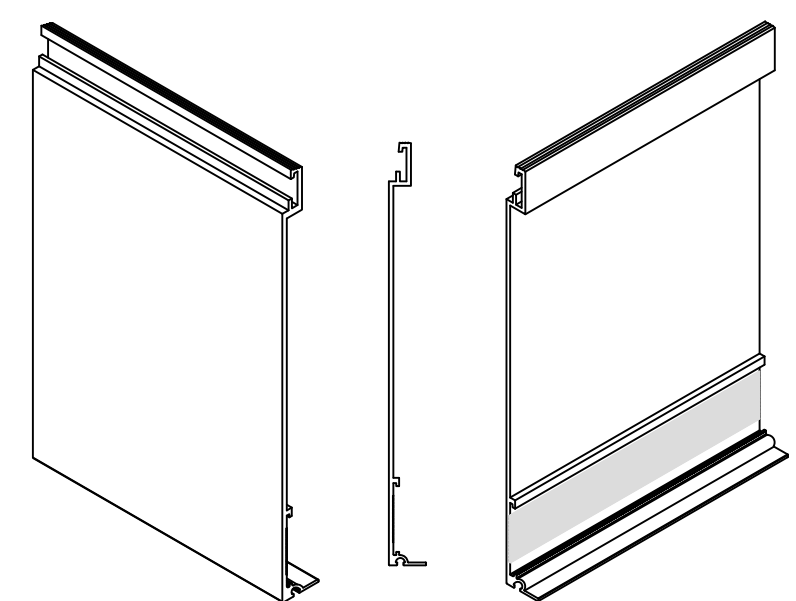
AXIOM WALL CLIP  
WITH HOOK FOR FACE PLATE  
(ITEM AXFWC)



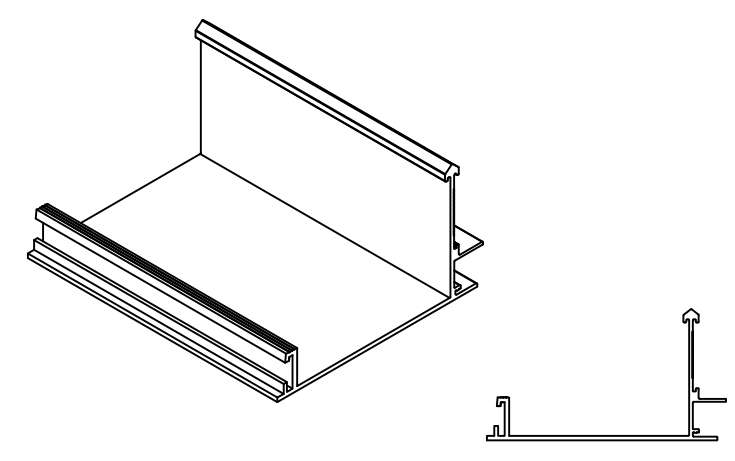
AXIOM BEAM END RETAINING CLIP  
FOR SEISMIC APPLICATIONS  
(ITEM BERCAXT)



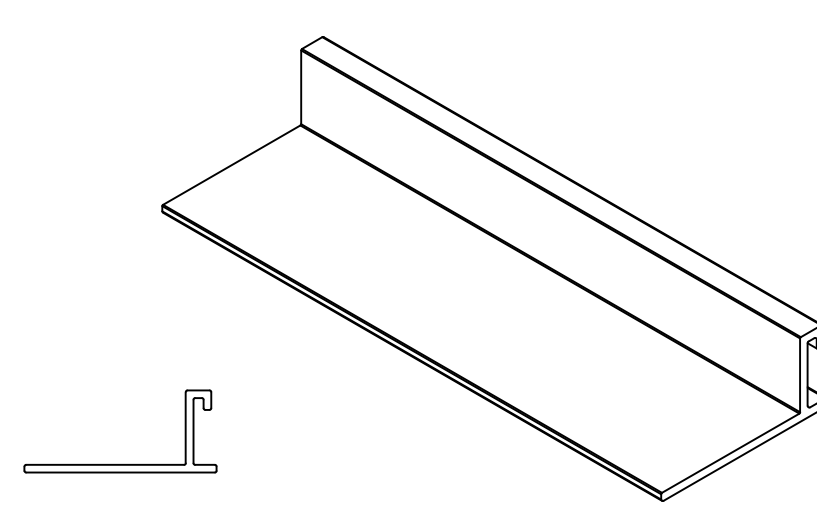
AXIOM T-BAR CONNECTION CLIP  
(ITEM AXTBC)



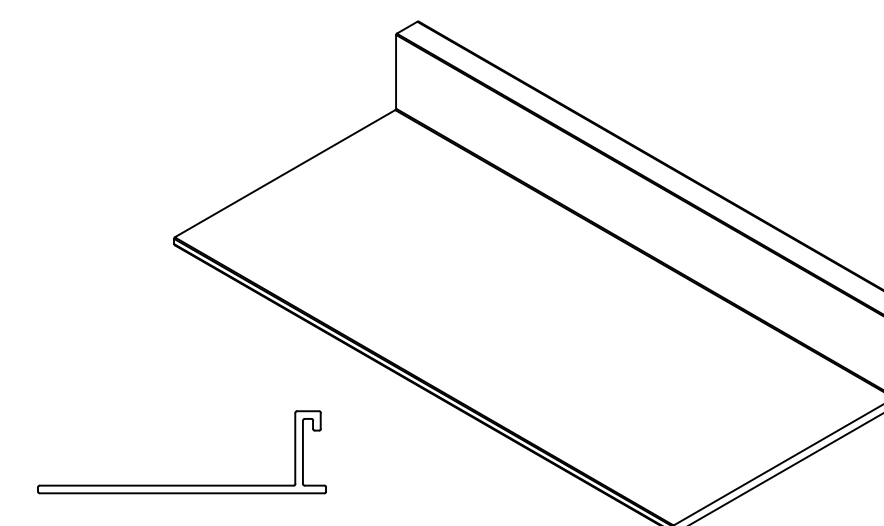
AXPEP8  
(EXTENSION)



AXPDFP4DT  
(FACE PLATE)



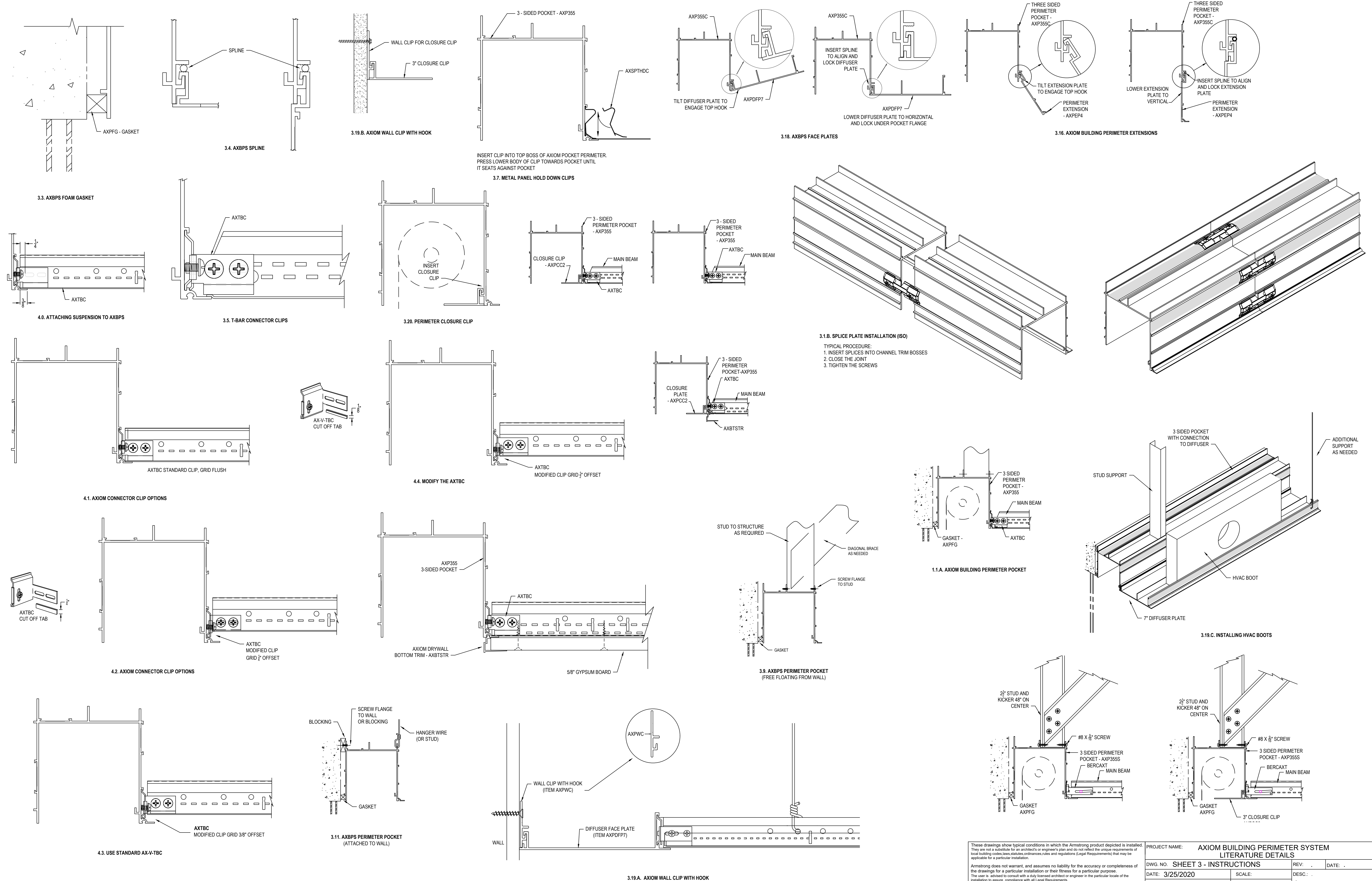
2" AXIOM BUILDING PERIMETER CLOSURE CLIP  
(ITEM AXPC2)

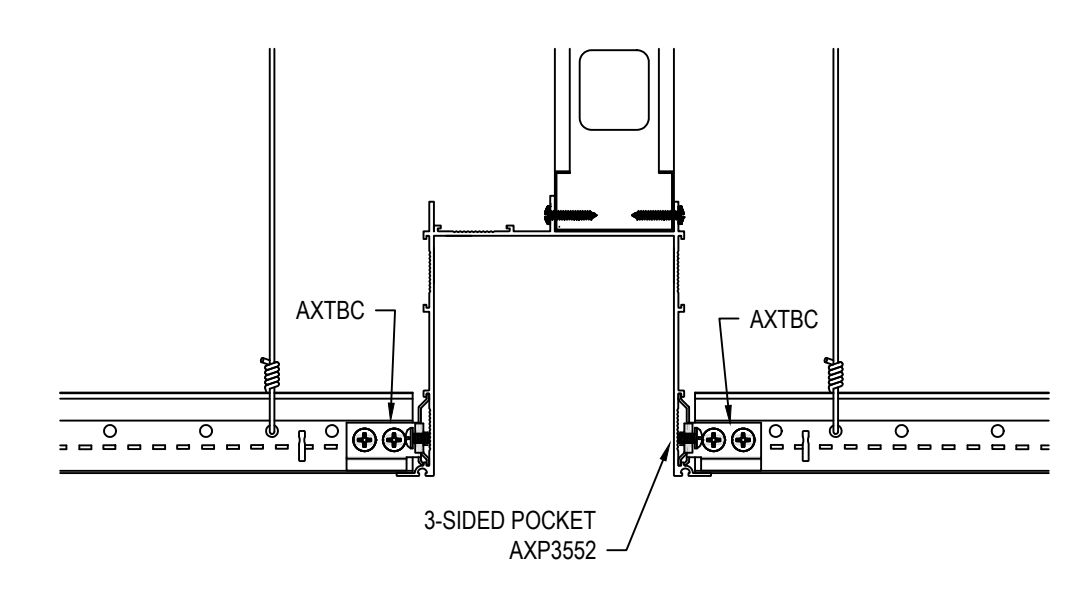
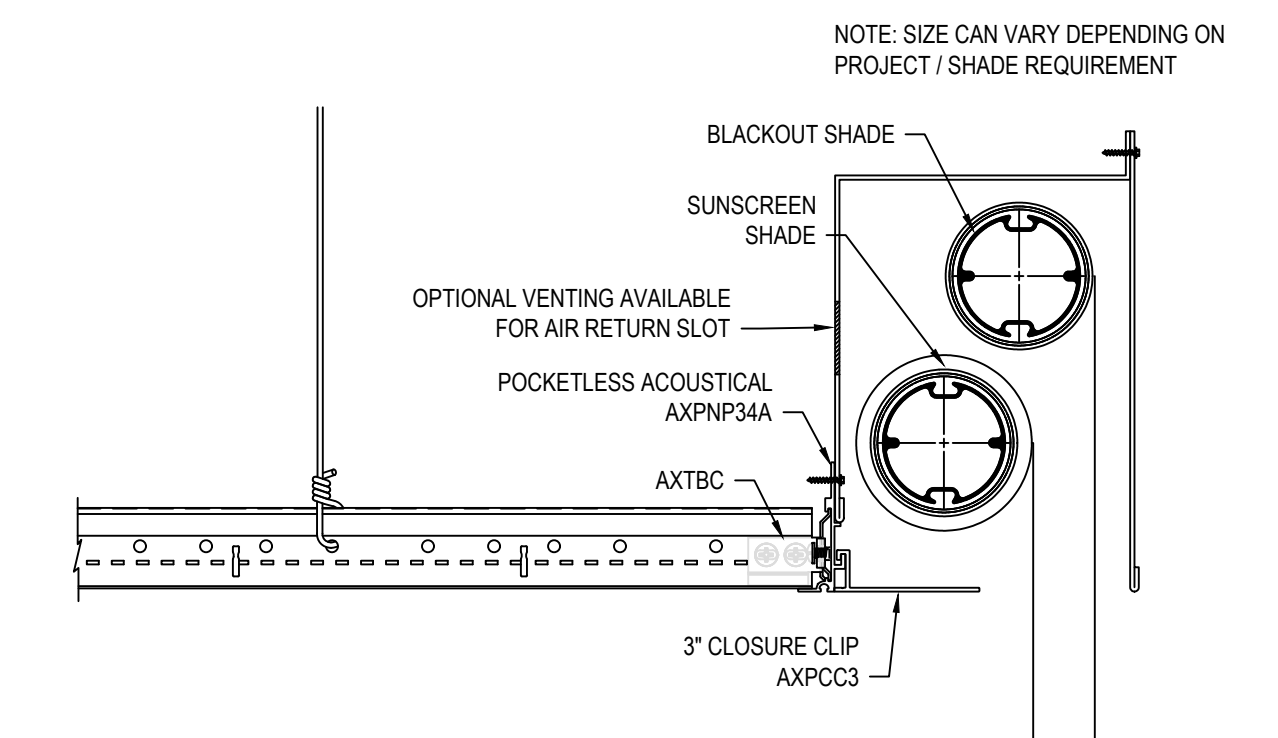
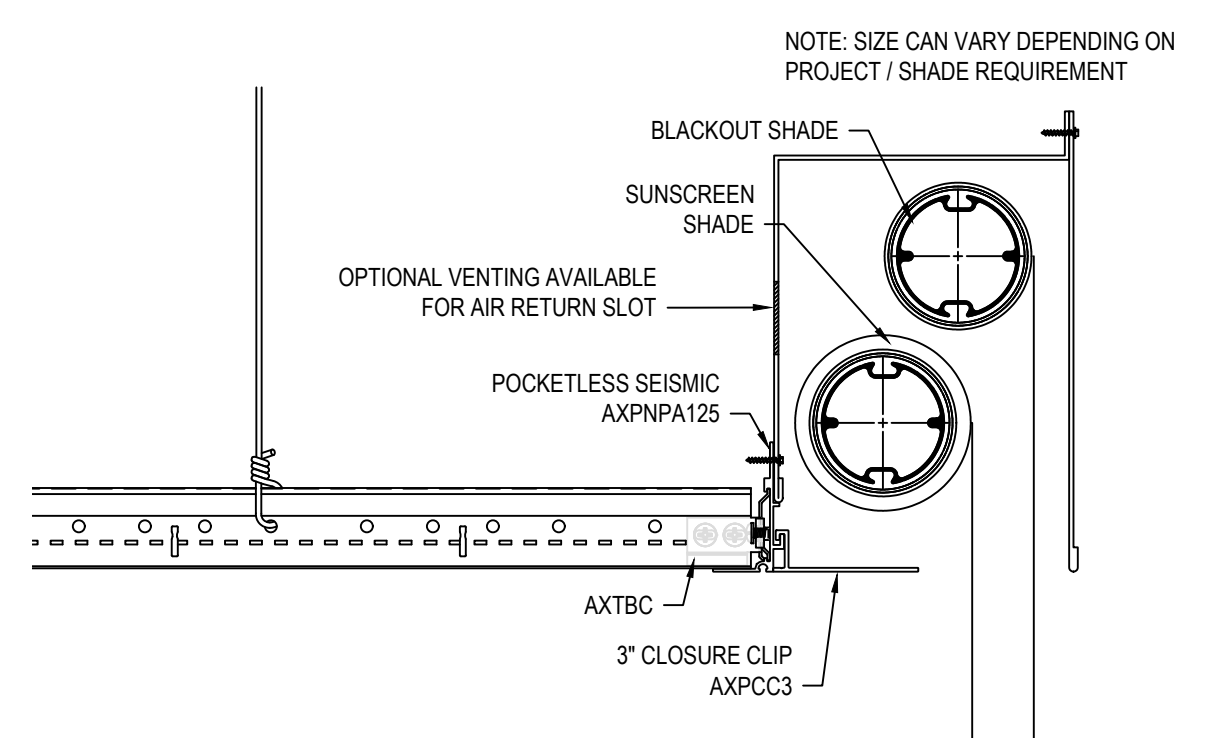
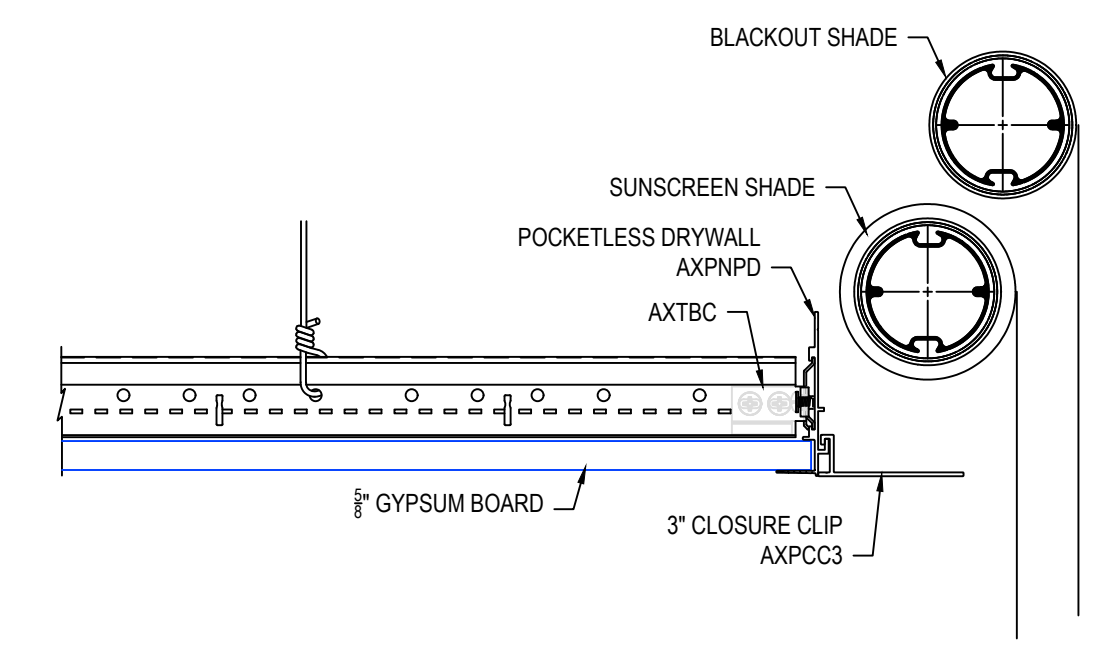
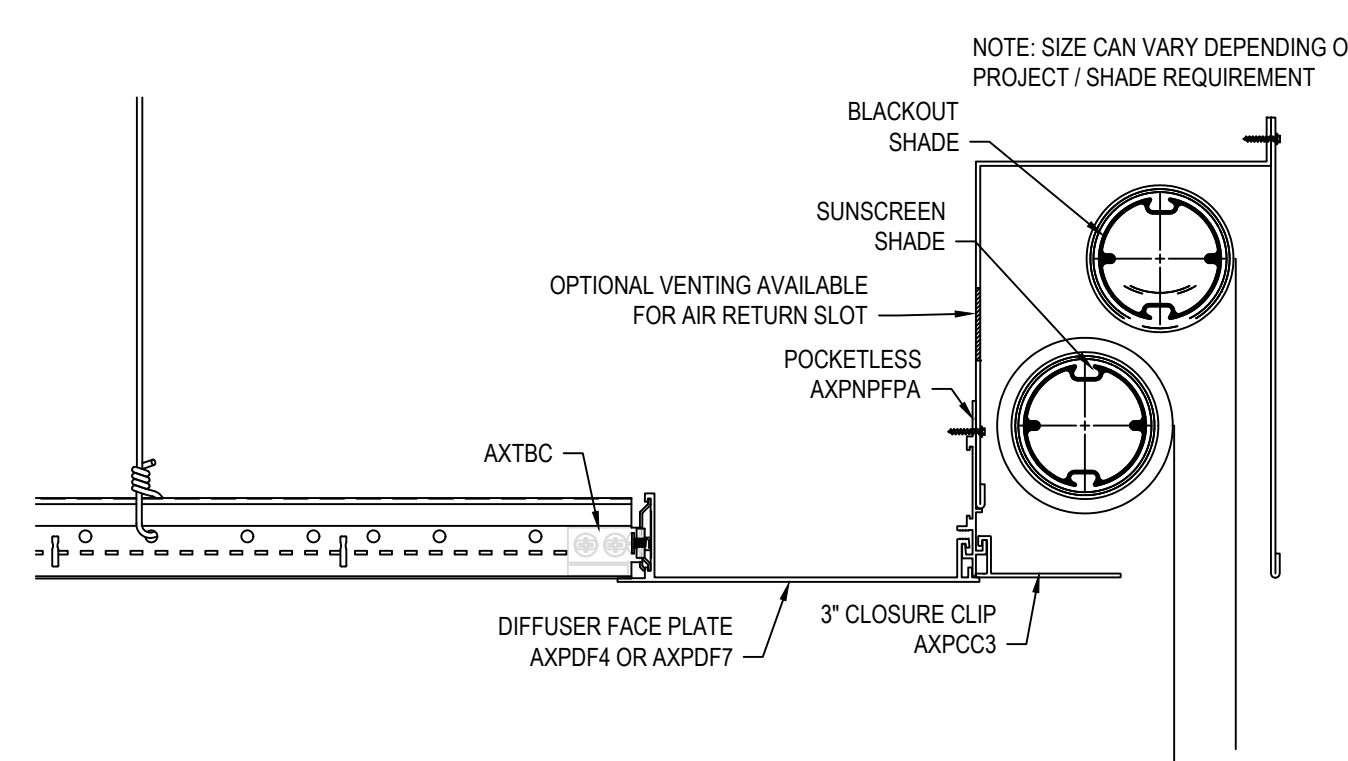
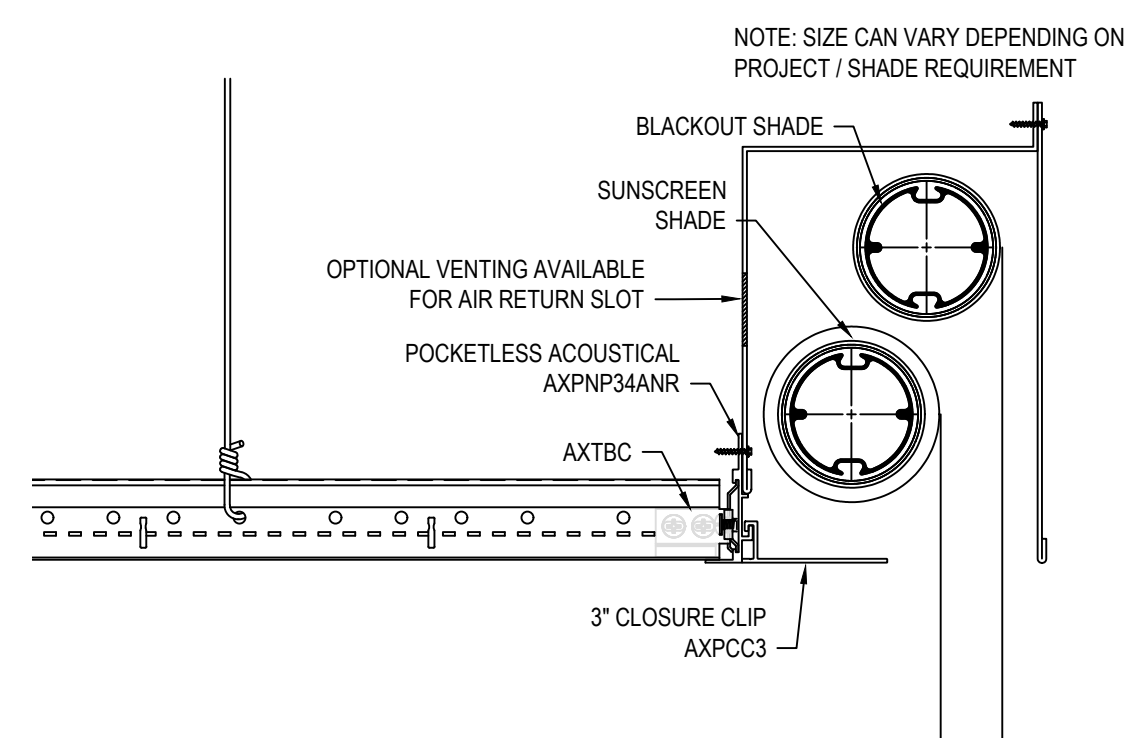
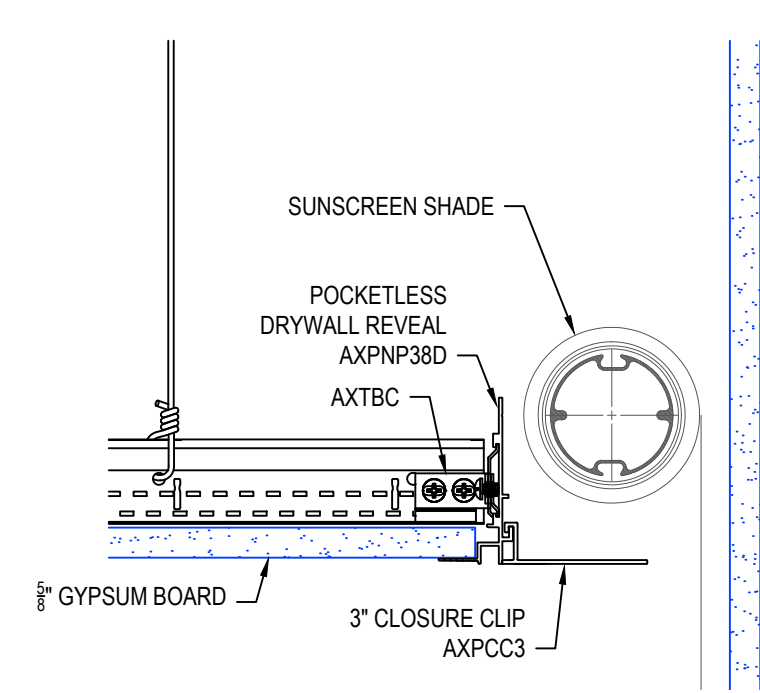
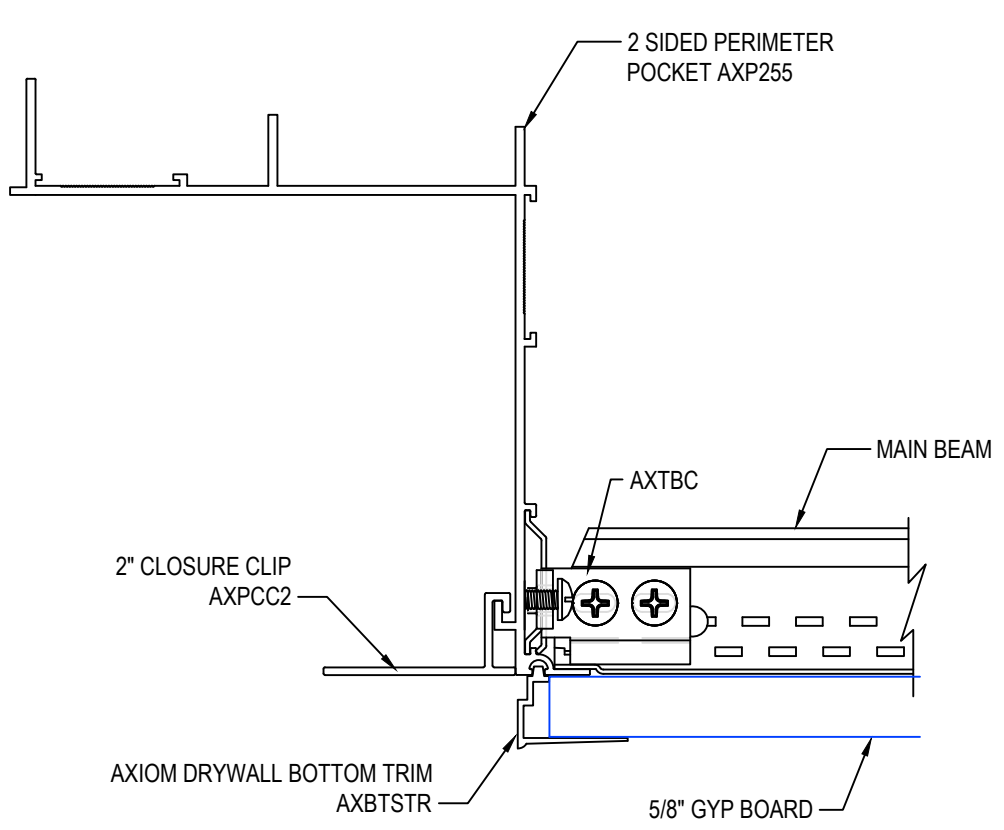
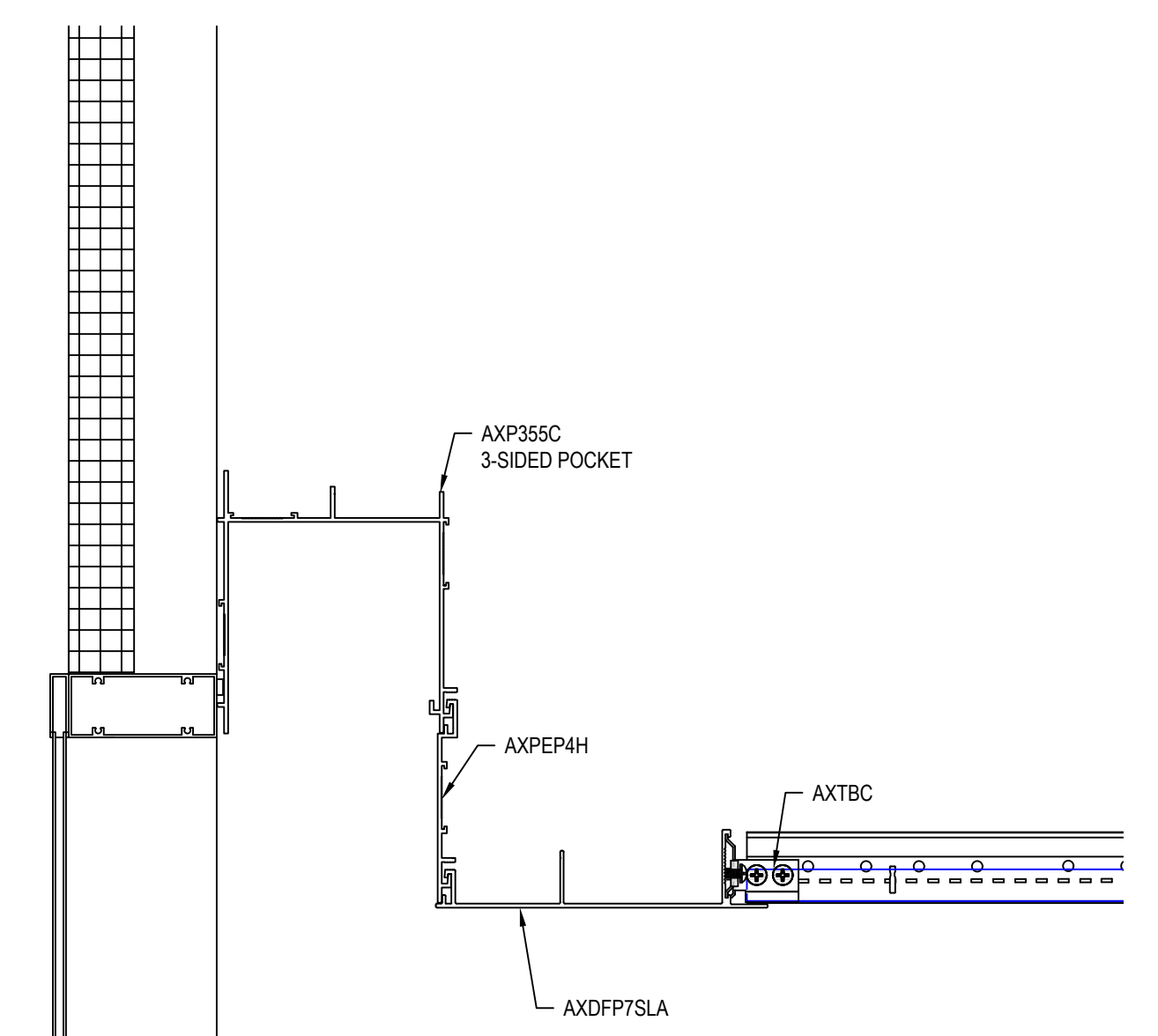
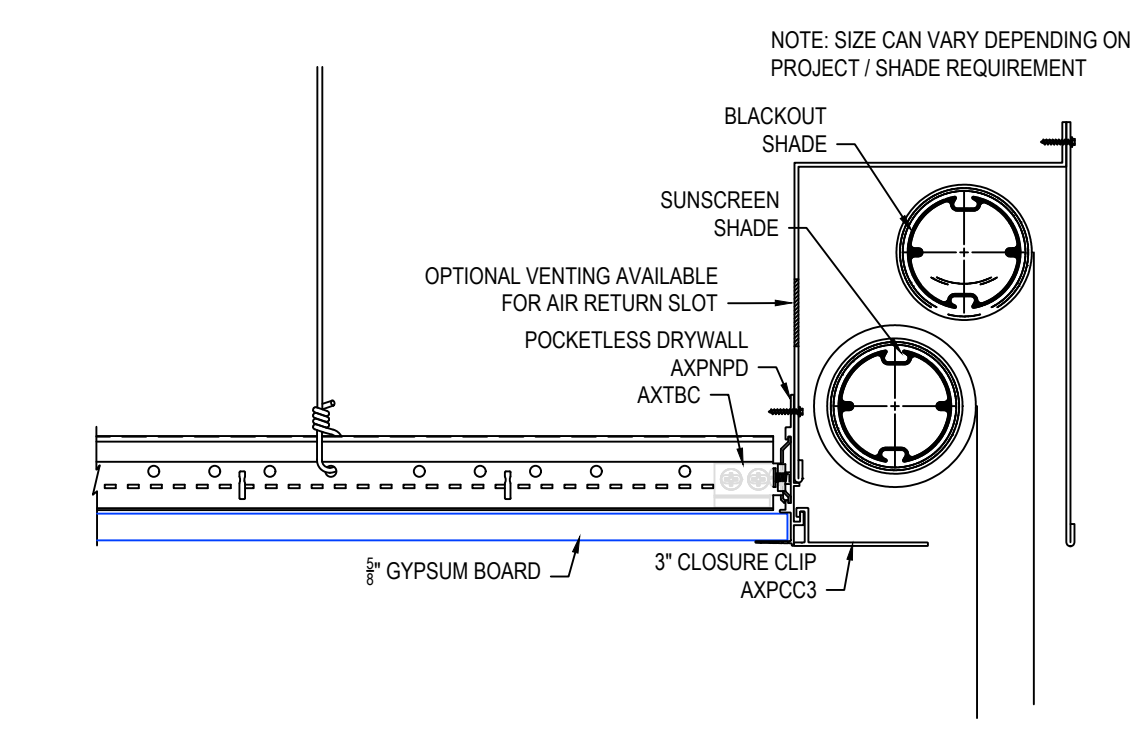
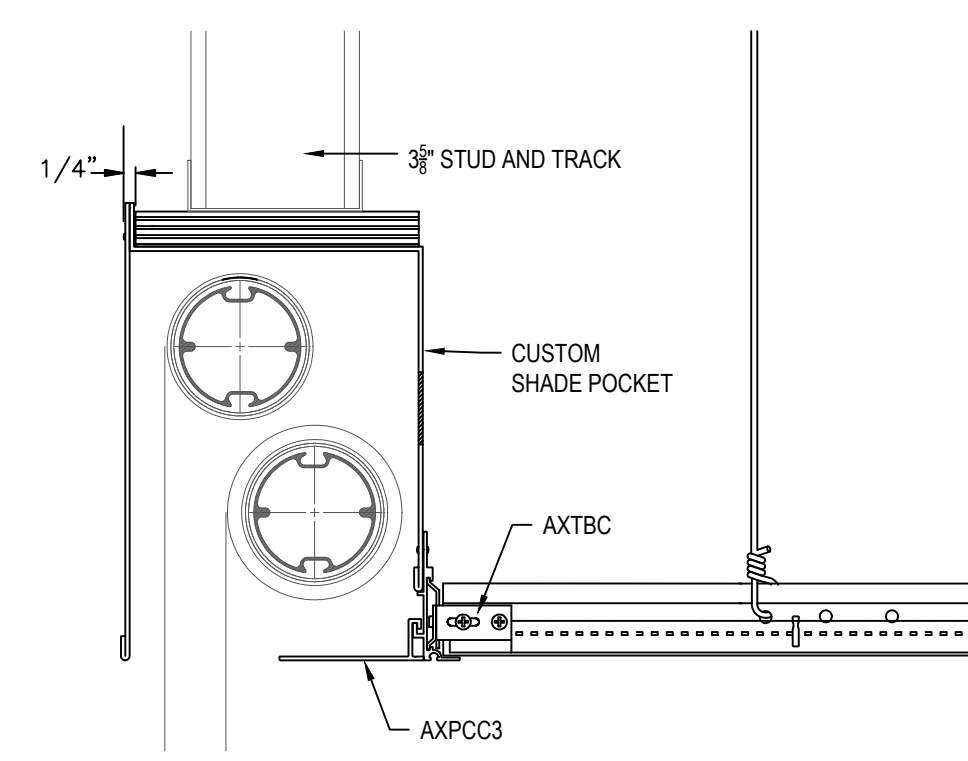
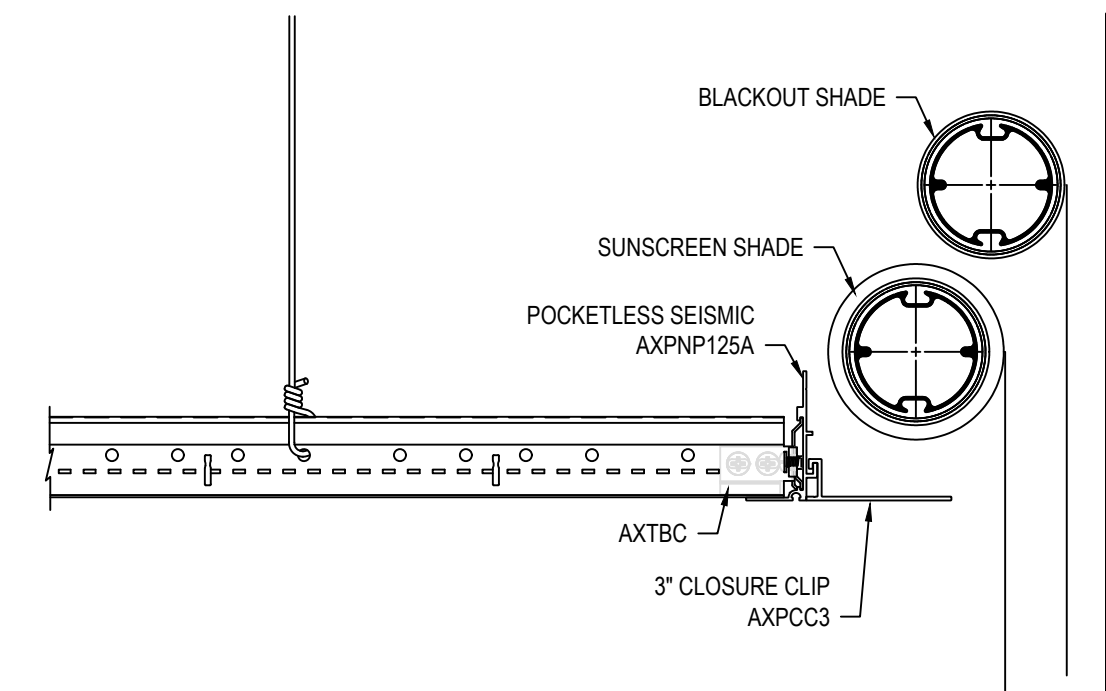
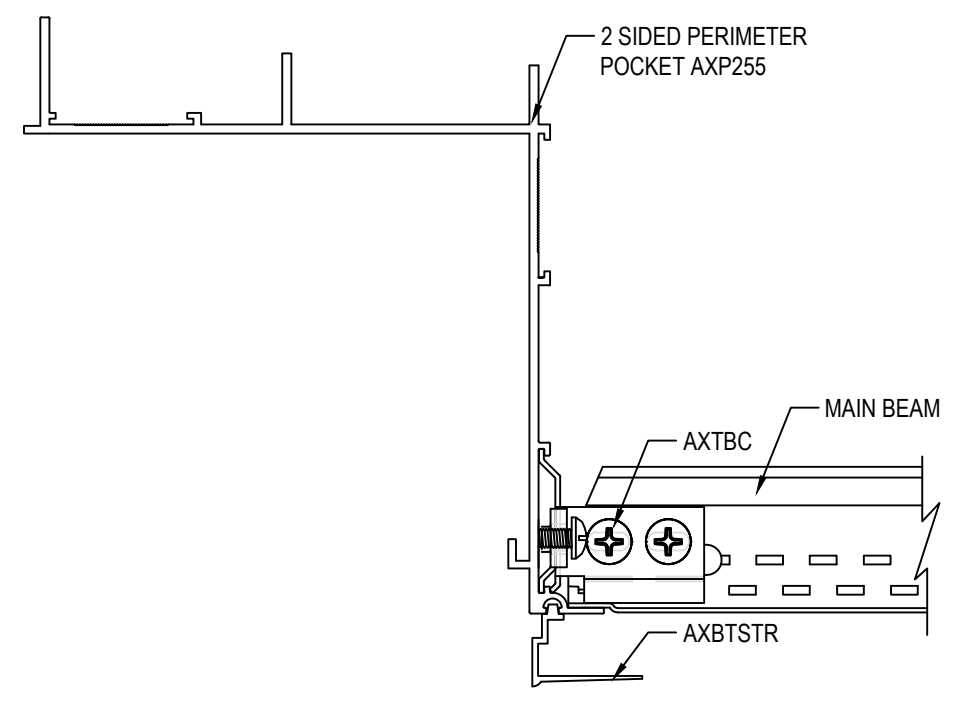
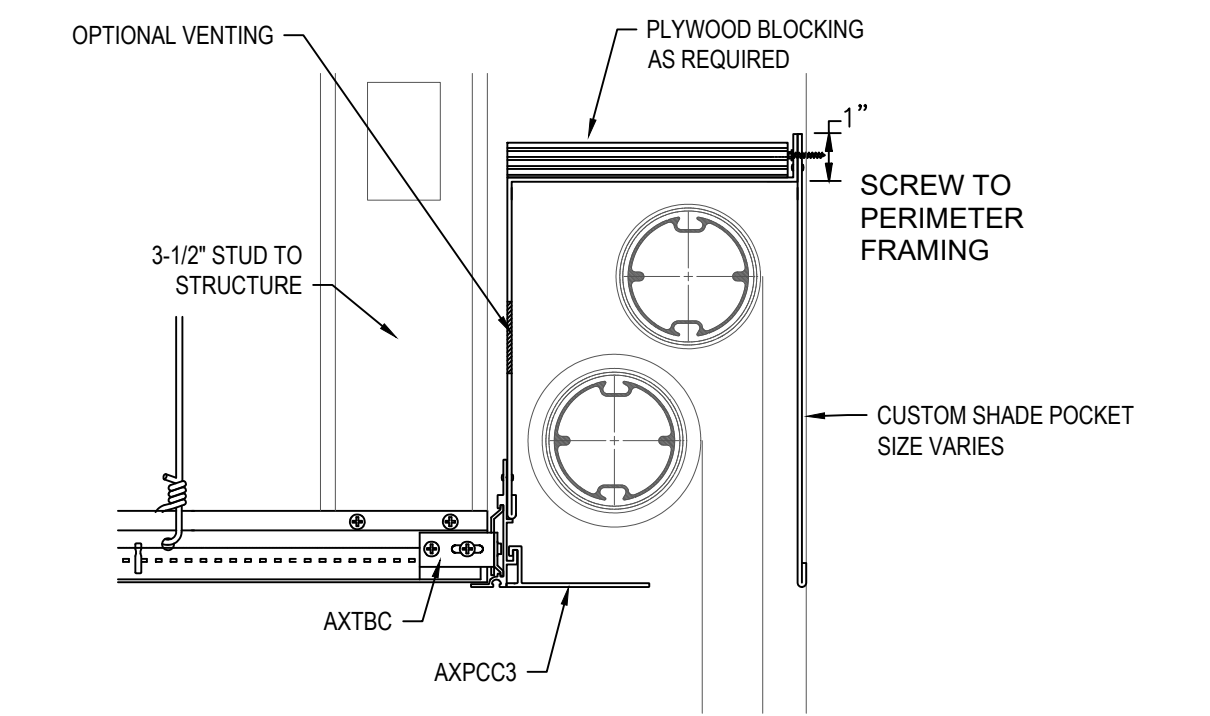
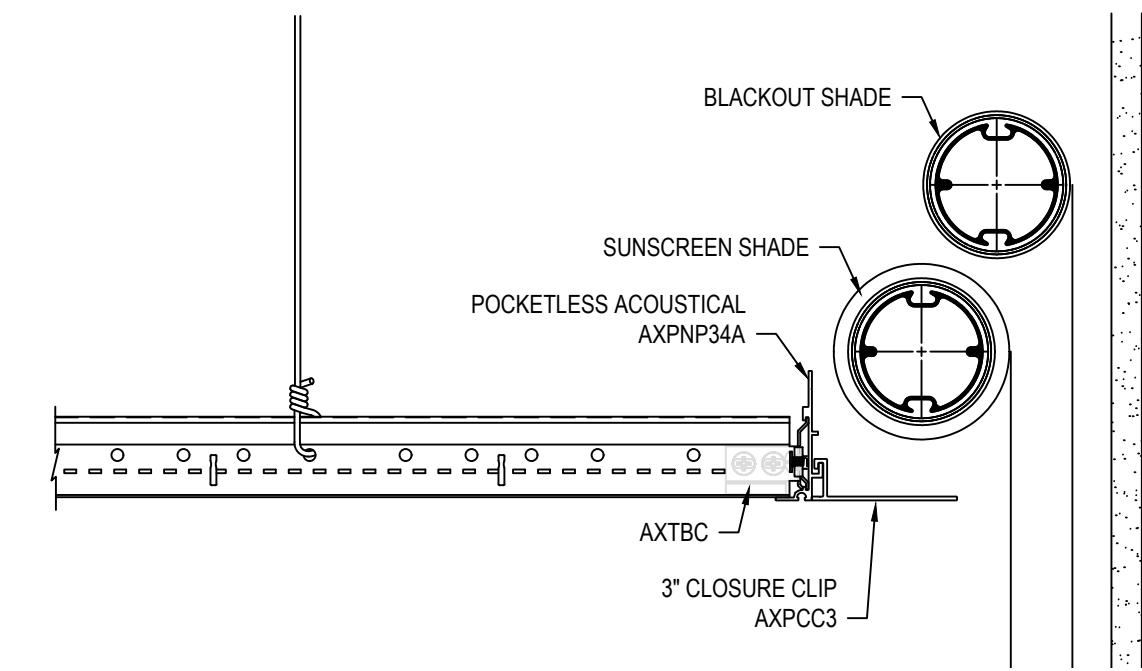
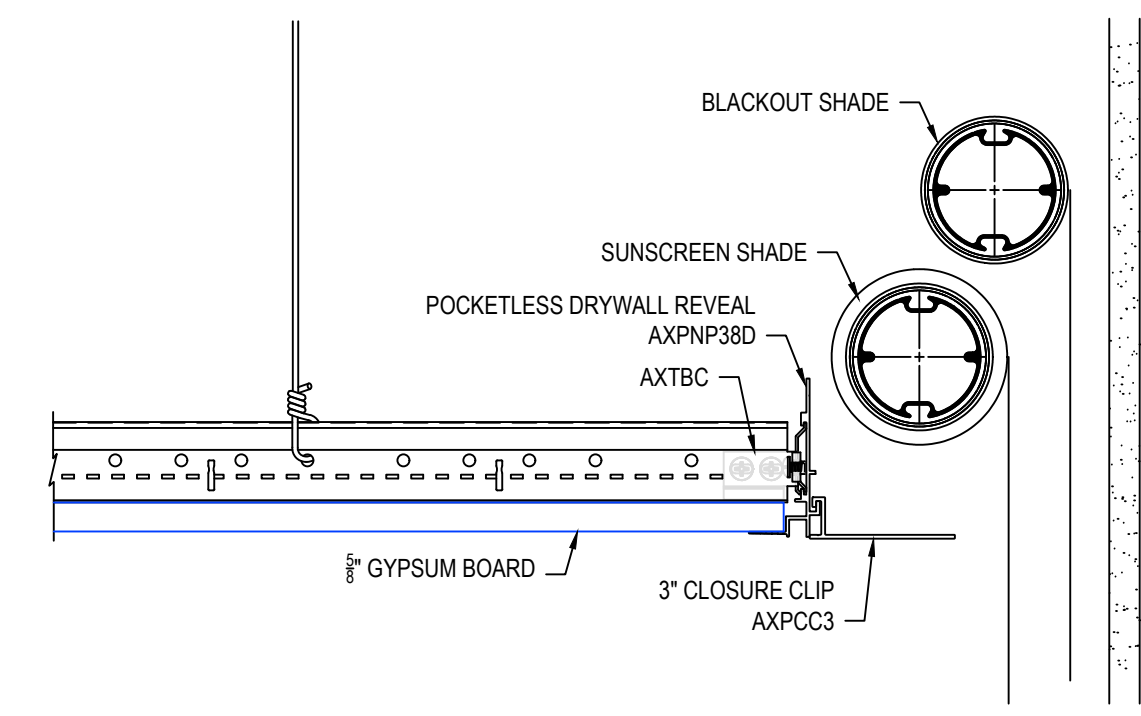
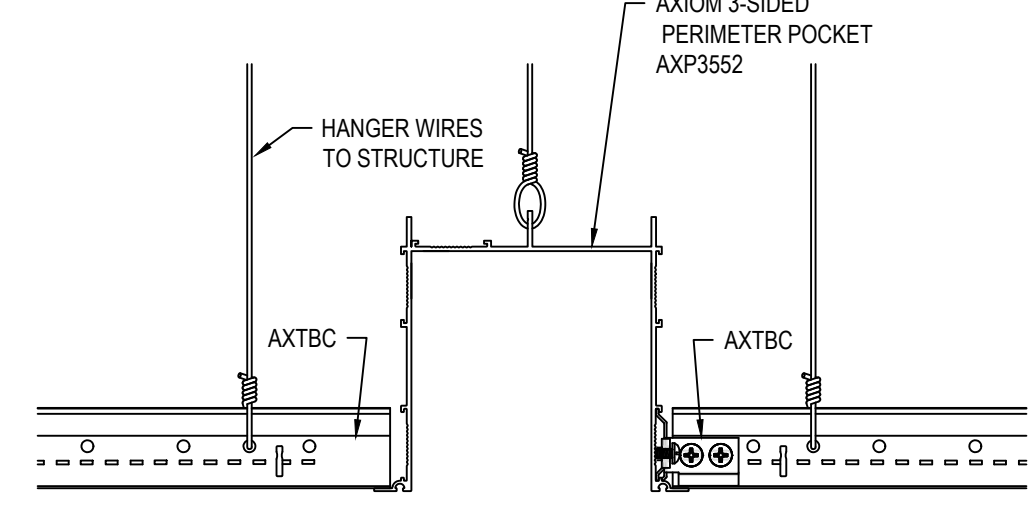
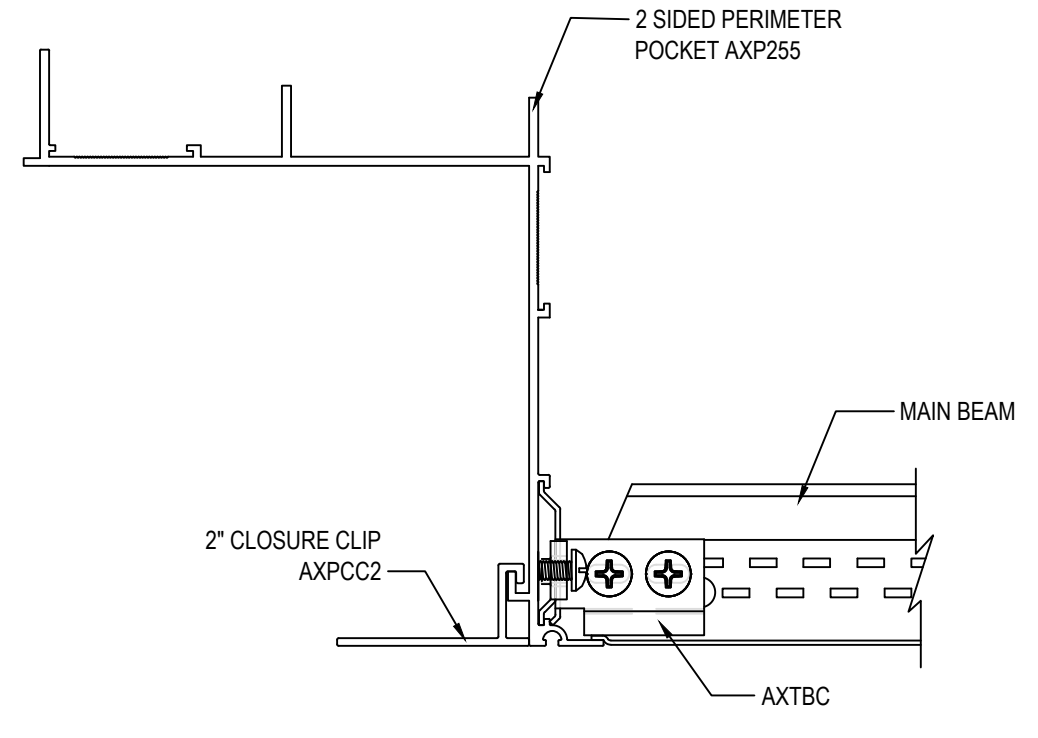
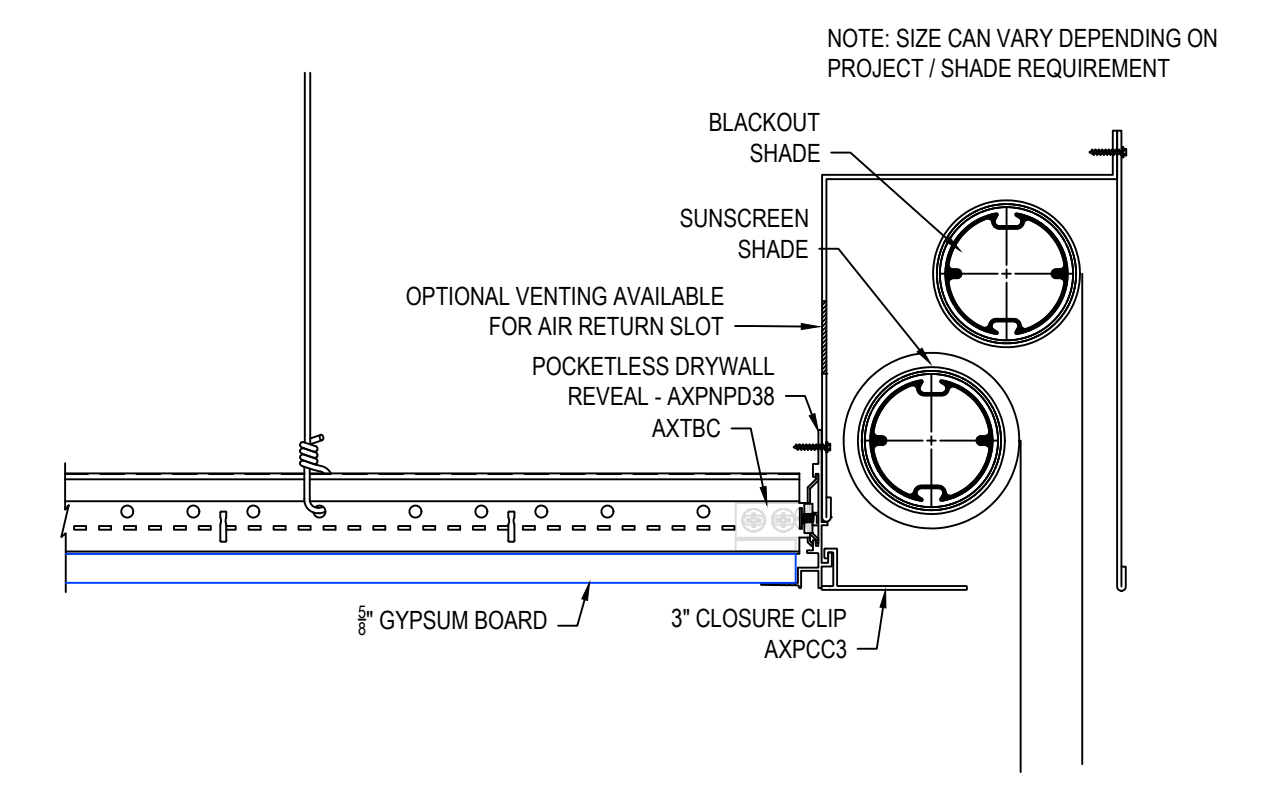
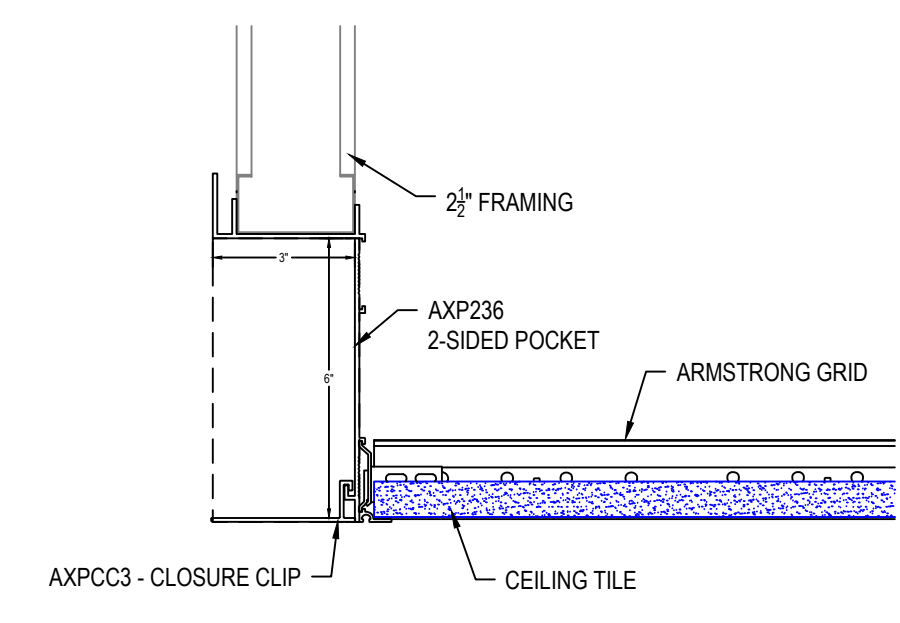
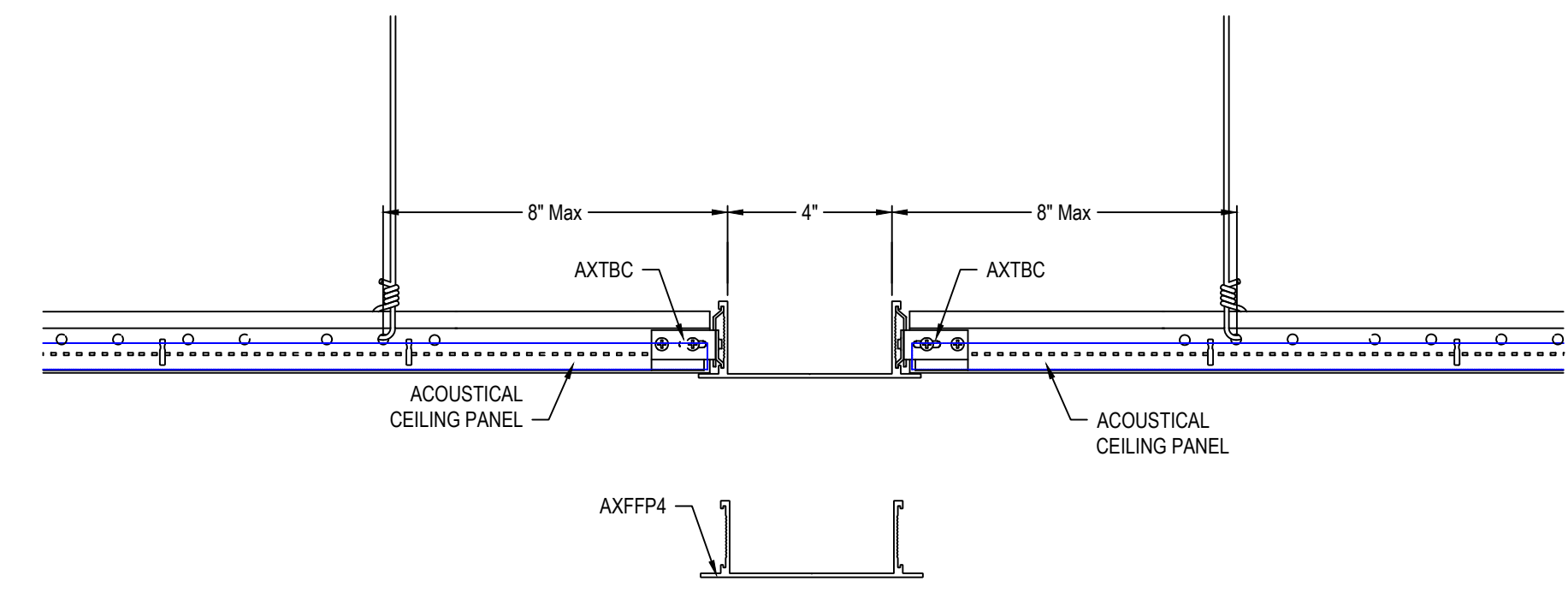
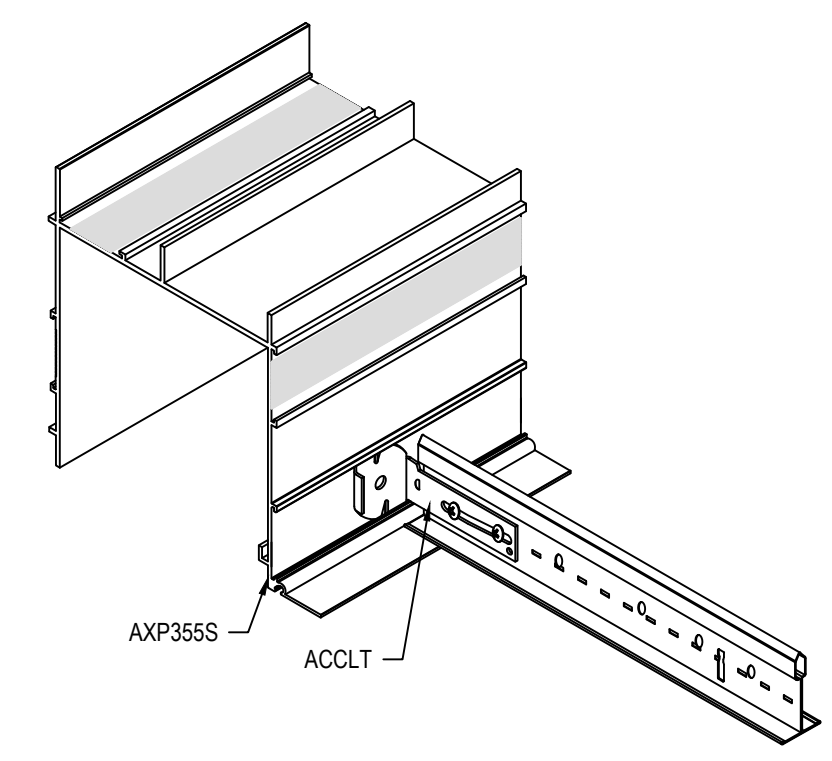
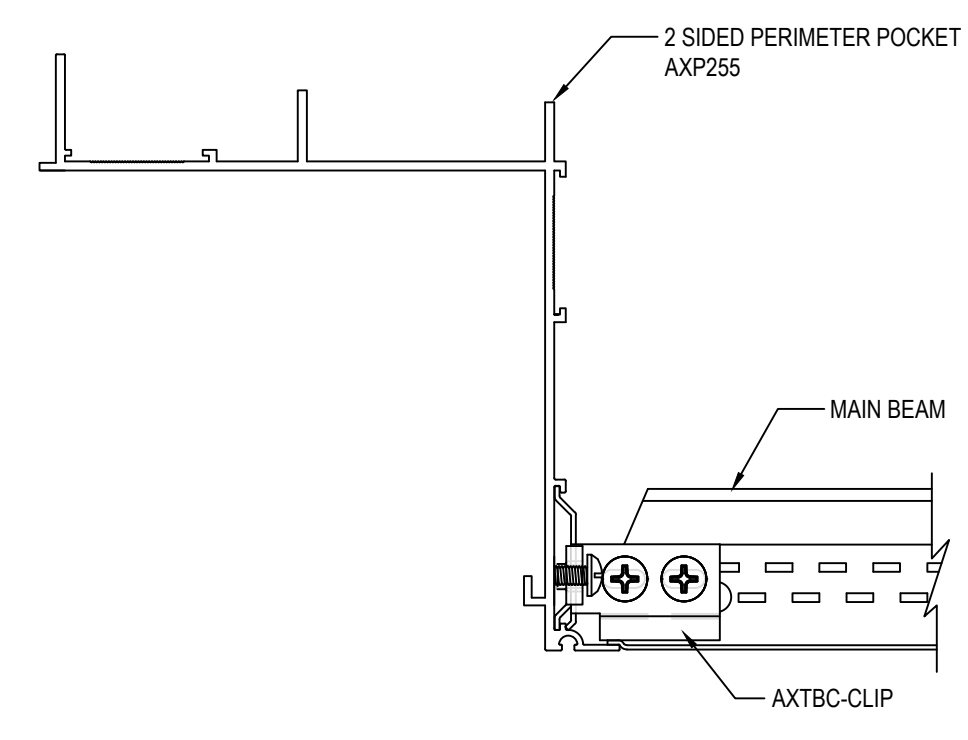


3" AXIOM BUILDING PERIMETER CLOSURE CLIP  
(ITEM AXPC3)

These drawings show typical conditions in which the Armstrong product depicted is installed. They are not a substitute for an architect's or engineer's plan and do not reflect the unique requirements of local building codes, laws, ordinances, rules and regulations (Legal Requirements) that may be applicable for a particular installation. Armstrong does not warrant, and assumes no liability for the accuracy or completeness of the drawings for a particular installation or their fitness for a particular purpose. The user is advised to consult with a duly licensed architect or engineer in the particular locale of the installation to assure compliance with all Legal Requirements. Armstrong is not licensed to provide professional architecture or engineering design services.

PROJECT NAME: AXIOM BUILDING PERIMETER SYSTEM LITERATURE DETAILS		REV: .	DATE: .
DWG. NO. SHEET 2 - ACCESSORIES	SCALE:	DESC: .	
DATE: 3/25/2020	DRAWN BY: MAP	CHK BY:	





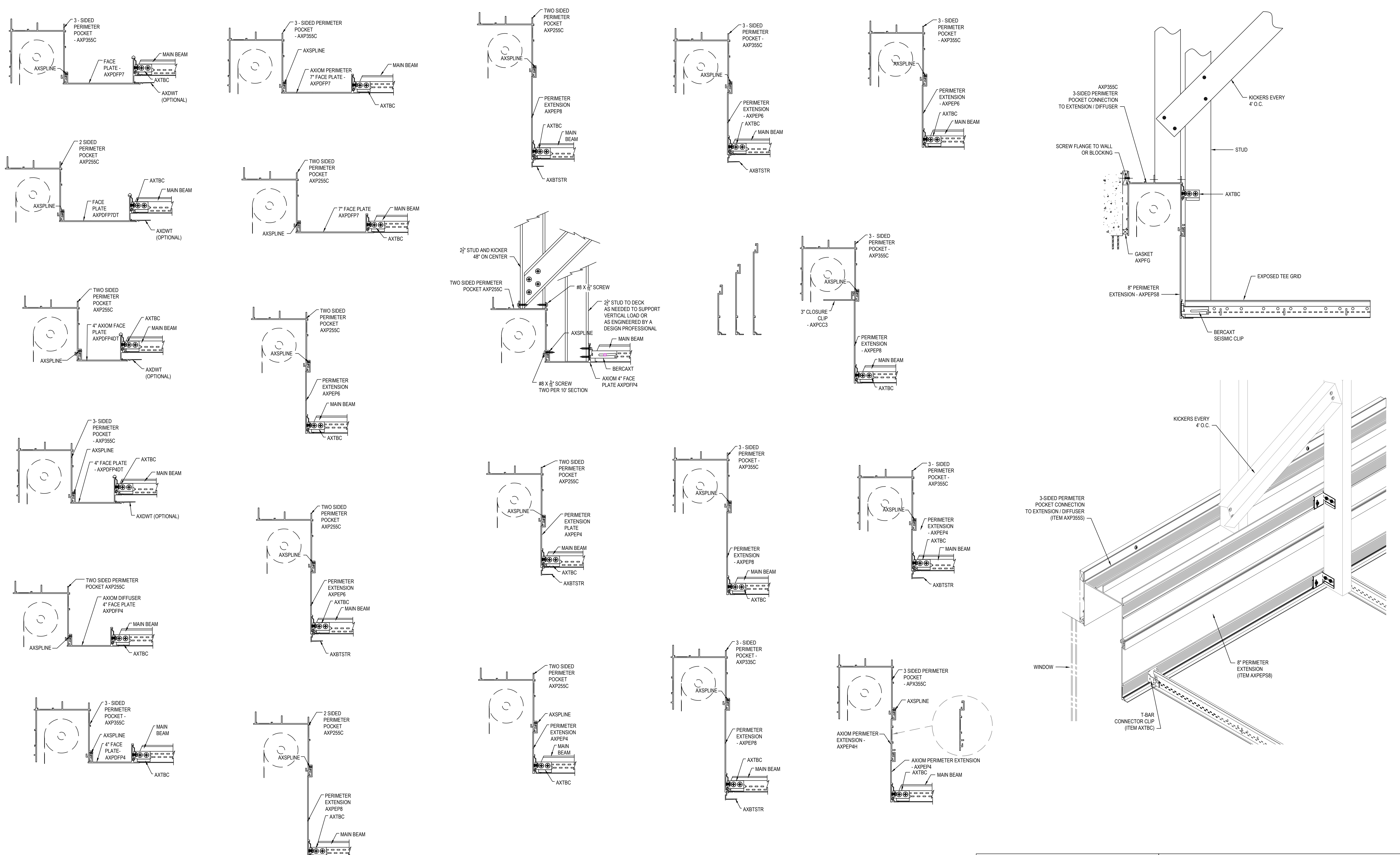
These drawings show typical conditions in which the Armstrong product depicted is installed. They are not a substitute for an architect's or engineer's plan and do not reflect the unique requirements of local building codes, laws, ordinances, rules and regulations (Legal Requirements) that may be applicable for a particular installation.

Armstrong does not warrant, and assumes no liability for the accuracy or completeness of the drawings for a particular installation or their fitness for a particular purpose. The user is advised to consult with a duly licensed architect or engineer in the particular locale of the installation to assure compliance with all Legal Requirements.

Armstrong is not licensed to provide professional architecture or engineering design services.

PROJECT NAME: AXIOM BUILDING PERIMETER SYSTEM LITERATURE DETAILS  
 DWG. NO. SHEET 4 - INSTALLATIONS  
 DATE: 3/16/22  
 DRAWN BY: MAP  
 REV: .  
 SCALE: .  
 CHK BY: .  
 DATE: .  
 DESC: .

Techline ARMSTRONG CEILING SYSTEMS \* ARMSTRONG WORLD INDUSTRIES, INC. \* Lancaster, PA \* Phone: 877-ARMSTRONG



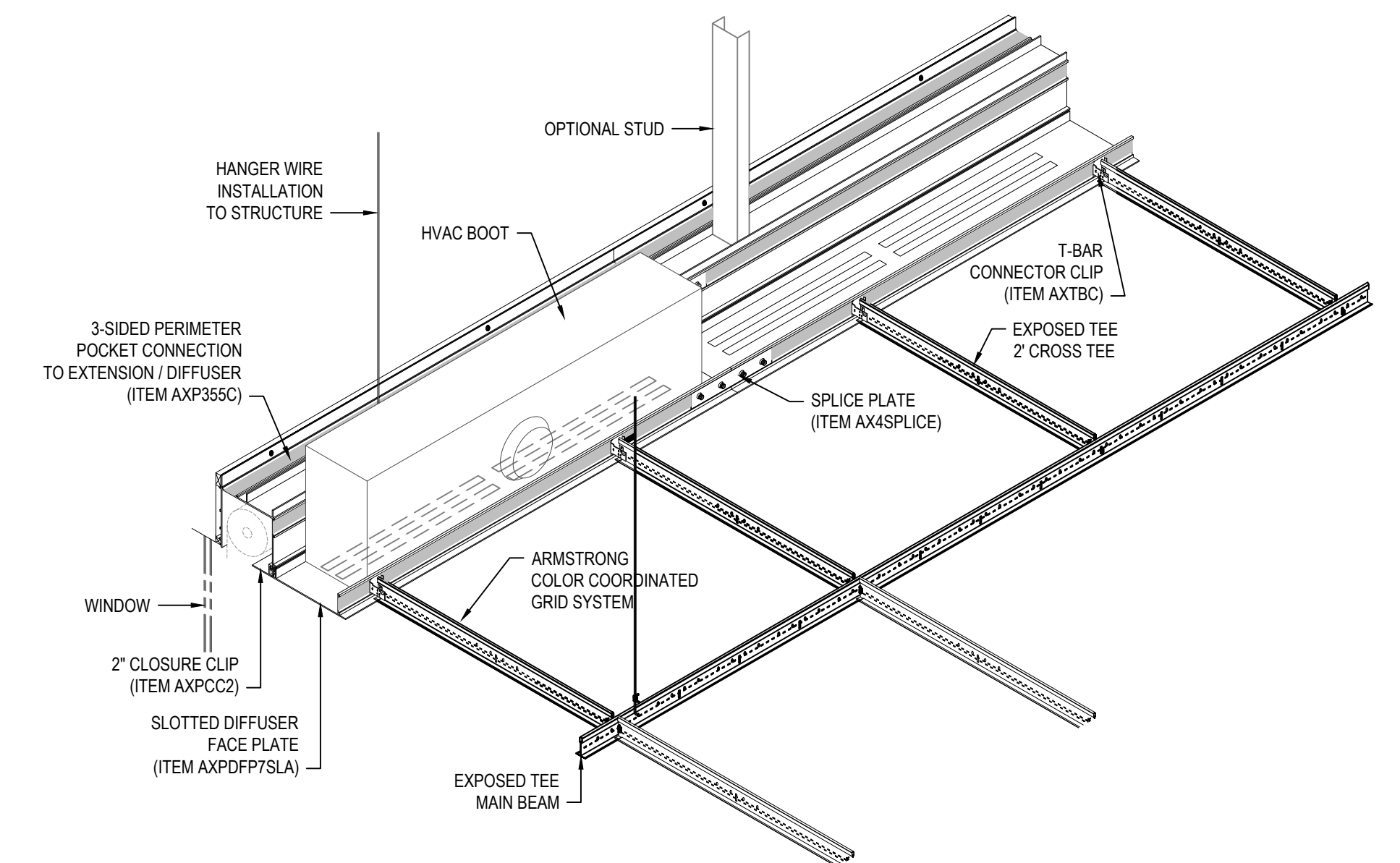
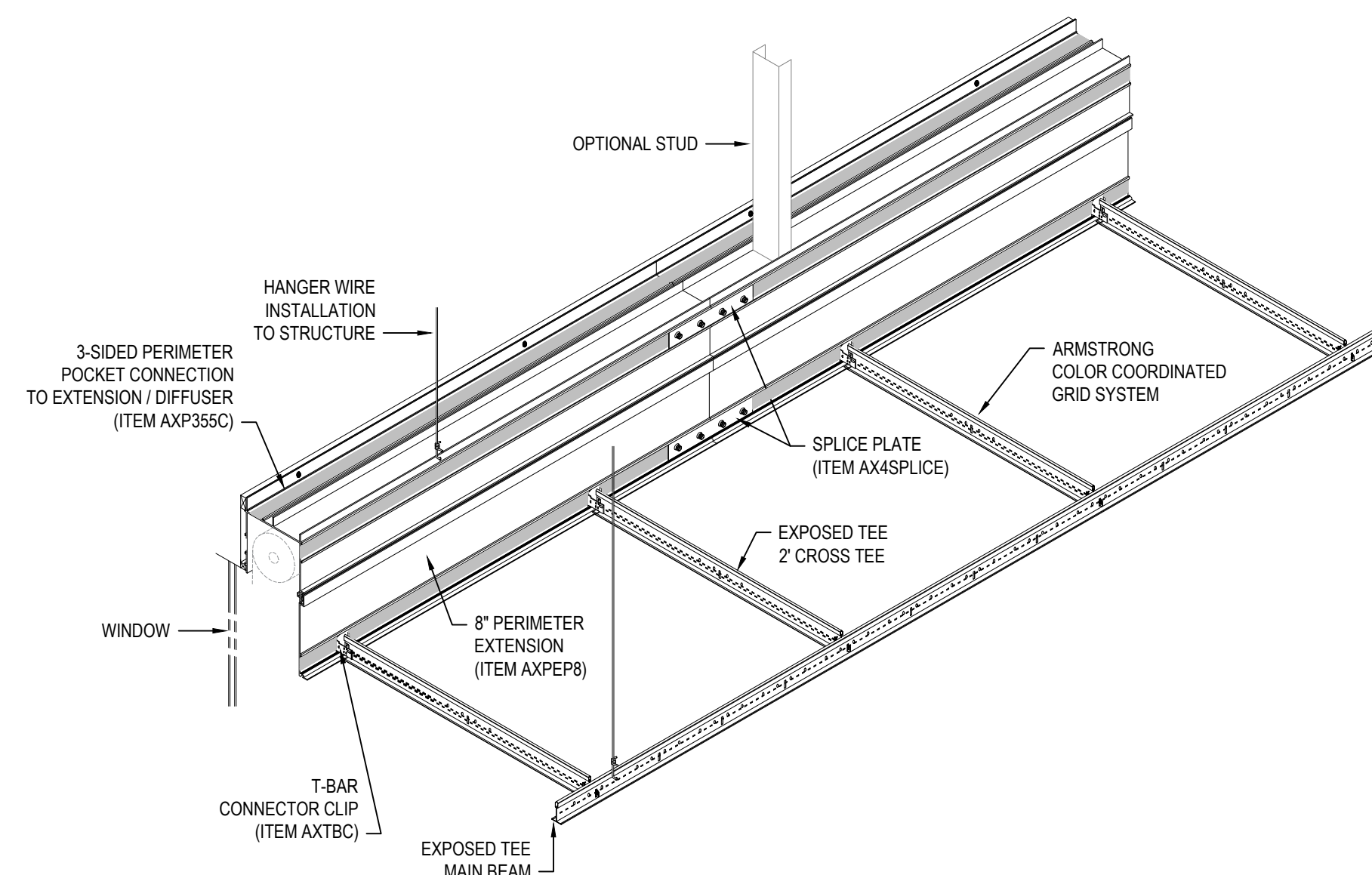
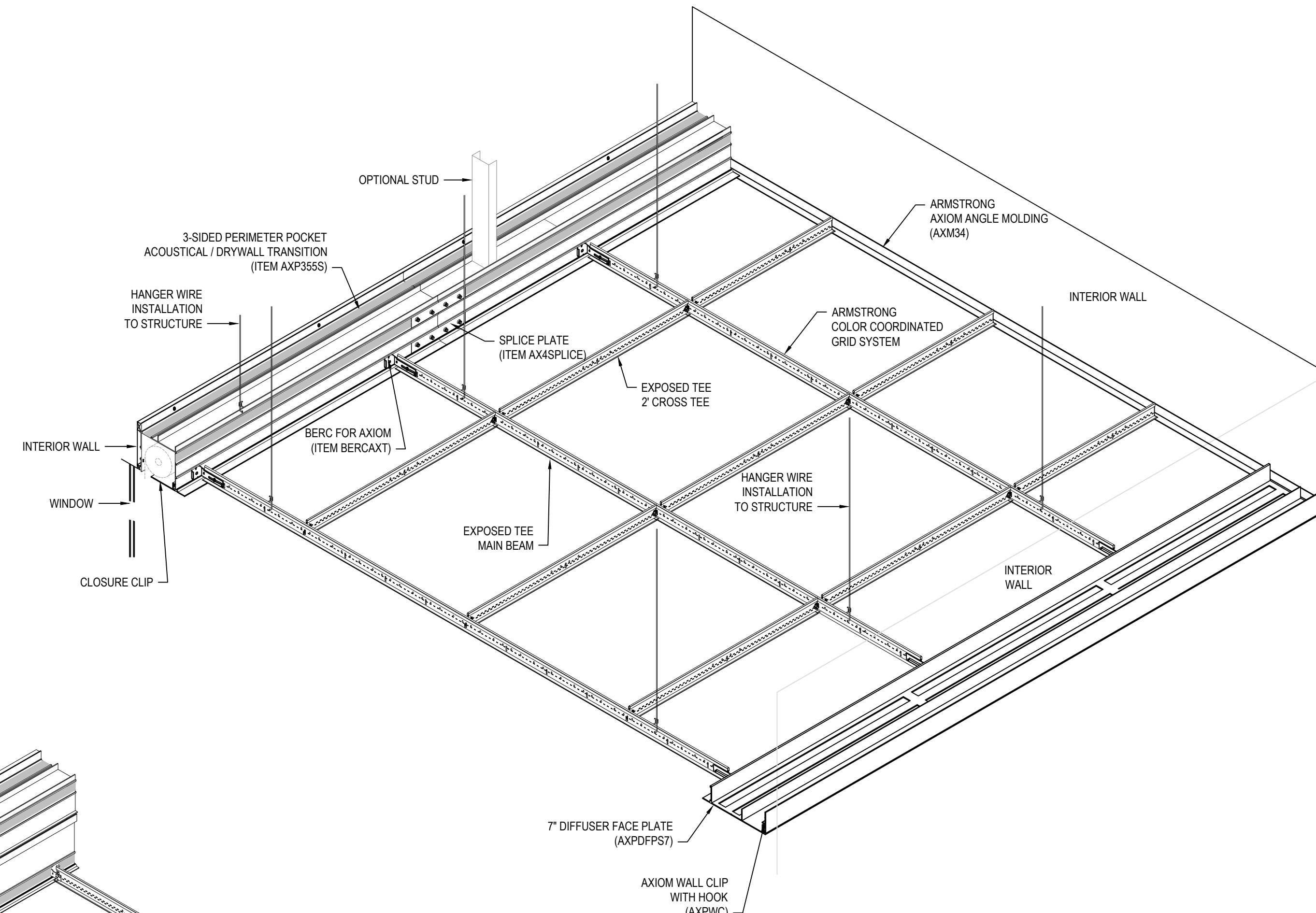
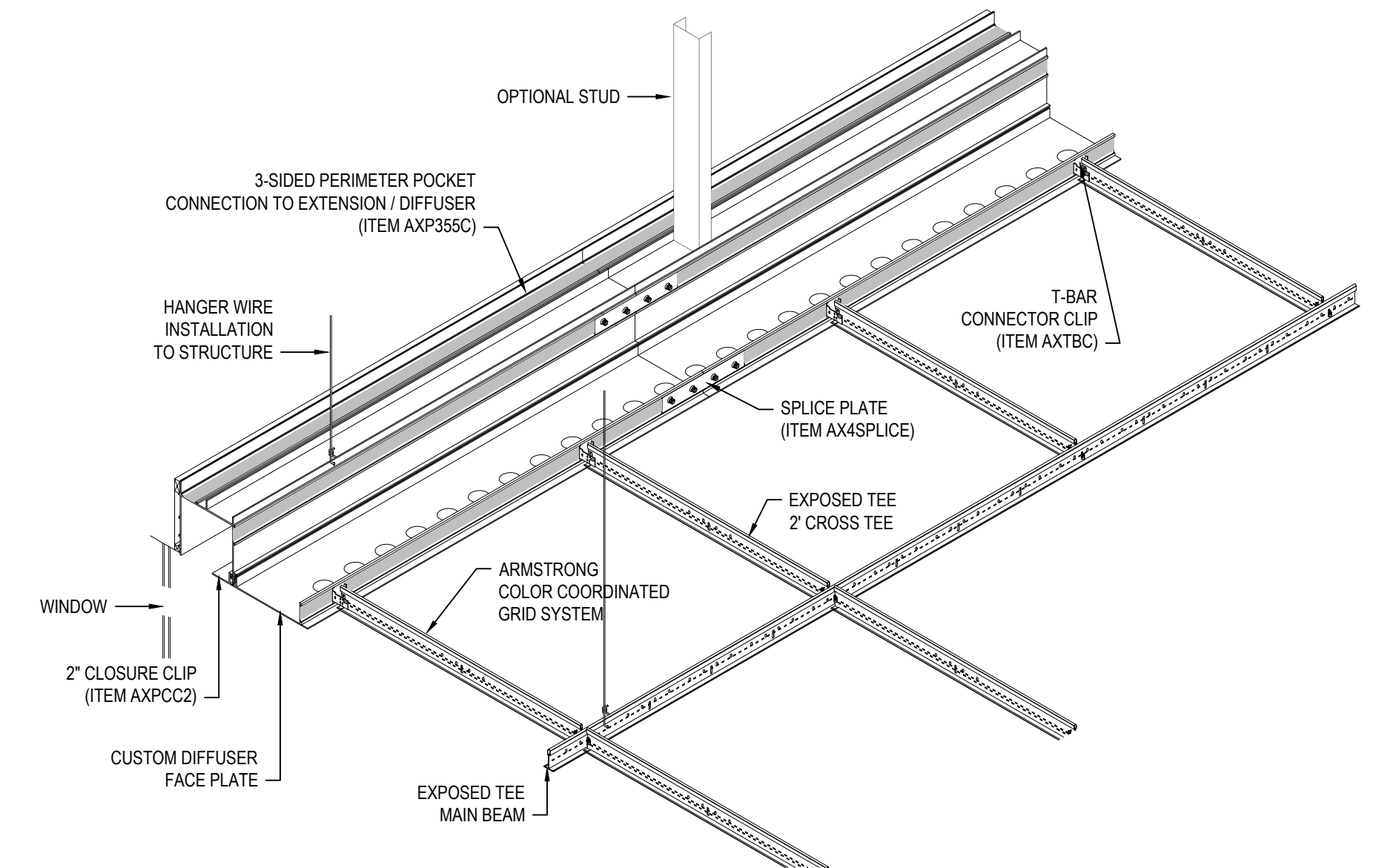
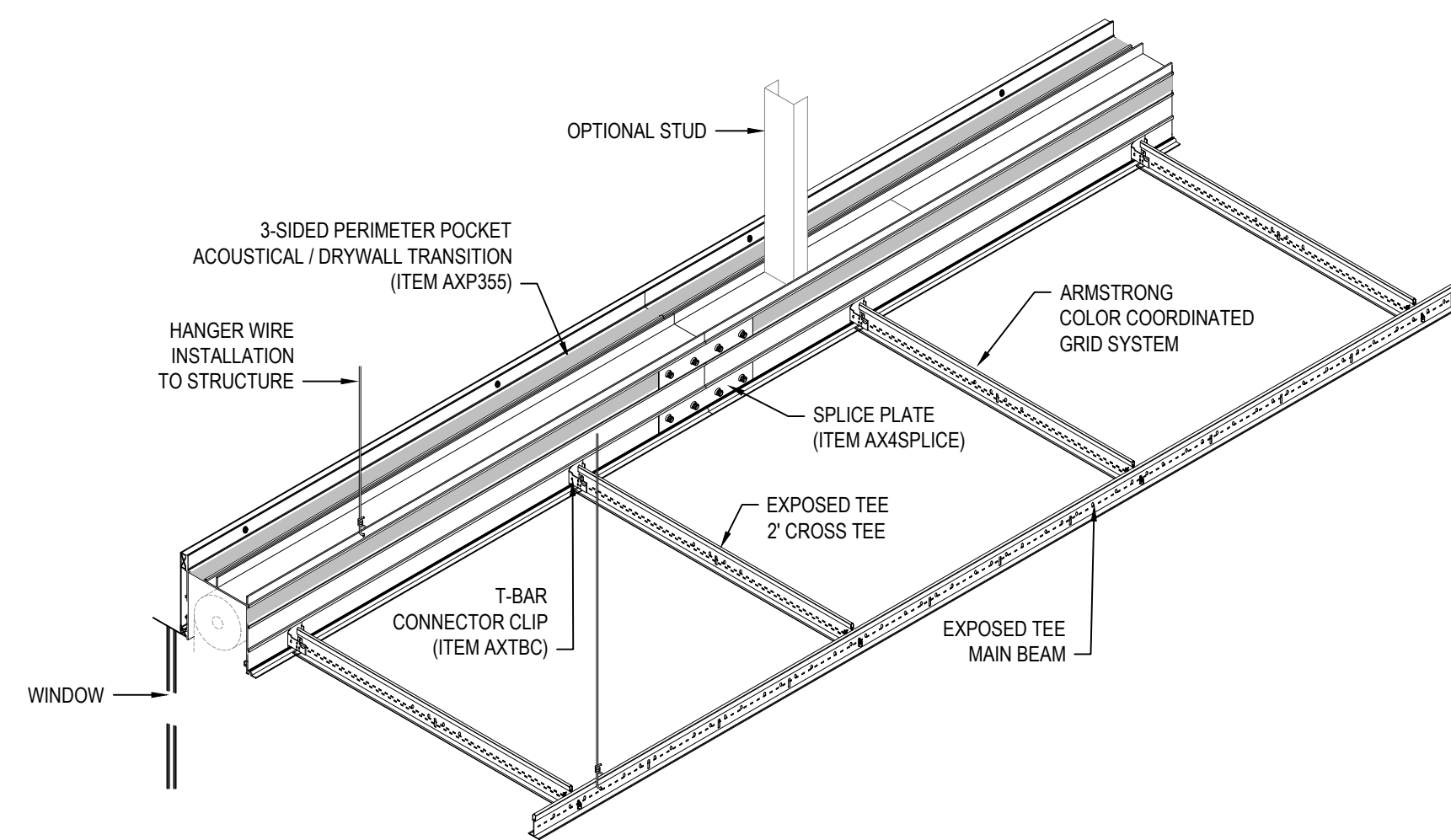
These drawings show typical conditions in which the Armstrong product depicted is installed. They are not a substitute for an architect or engineer's plan and do not reflect the unique requirements of local building codes, laws, ordinances, rules and regulations (Legal Requirements) that may be applicable for a particular installation.

Armstrong does not warrant, and assumes no liability for the accuracy or completeness of the drawings for a particular installation or their fitness for a particular purpose. The user is advised to consult with a duly licensed architect or engineer in the particular locale of the installation to assure compliance with all Legal Requirements.

Armstrong is not licensed to provide professional architecture or engineering design services.

PROJECT NAME: <b>AXIOM BUILDING PERIMETER SYSTEM LITERATURE DETAILS</b>	
DWG. NO. <b>SHEET 5 - INSTALLATIONS</b>	REV: . . . DATE: . . .
DATE: <b>3/25/2020</b>	SCALE: . . . DESC: . . .
DRAWN BY: <b>MAP</b>	CHK BY: . . .

**Techn** ARMSTRONG CEILING SYSTEMS \* ARMSTRONG WORLD INDUSTRIES, INC. \* Lancaster, PA \* Phone: 877-ARMSTRONG **Amstrong**





These drawings show typical conditions in which the Armstrong product depicted is installed. They are not a substitute for an architect's or engineer's plan and do not reflect the unique requirements of local building codes, laws, ordinances, rules and regulations (Legal Requirements) that may be applicable for a particular installation.

Armstrong does not warrant, and assumes no liability for the accuracy or completeness of the drawings for a particular installation or their fitness for a particular purpose. The user is advised to consult with a duly licensed architect or engineer in the particular locale of the installation to assure compliance with all Legal Requirements.

Armstrong is not licensed to provide professional architecture or engineering design services.

PROJECT NAME: AXIOM BUILDING PERIMETER SYSTEM LITERATURE DETAILS		REV: .	DATE: .
DWG. NO. SHEET 6 - ISOs	SCALE:	DESC: .	
DATE: 3/25/2020	DRAWN BY: MAP	CHK BY:	



 ARMSTRONG CEILING SYSTEMS \* ARMSTRONG WORLD INDUSTRIES, INC. \* Lancaster, PA \* Phone: 877-ARMSTRONG