

METALWORKS™ Clip-on
smooth texture

*Custom Looks
with Standard
Products*



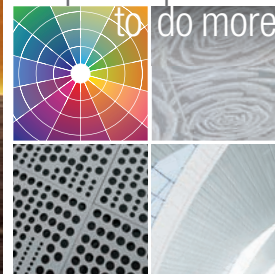
24 / 7
DEFEND™
Solutions for Healthier,
Safer Spaces
CONTAIN CLEAN PROTECT

CREATE!™
CUSTOM PERFORATIONS



Art and acoustics blend with MetalWorks™ Create!™ custom perforated panels. More at: armstrongceilings.com/metalworkscreeate

plus capabilities
to do more





armstrongceilings.com/capabilities
See more photos at:
armstrongceilings.com/photogallery

▲ MetalWorks™ Clip-on 24" x 48" center cut downlight panels in Gun Metal

Easy-to-install, downward-accessible panels are perfect for renovations.

KEY SELECTION ATTRIBUTES

-  Precise factory-cut downlight panels are fit and finish certified to work with USAI® Lighting BeveLED® 2.2 and BeveLED® Mini trimless downlights
-  CleanAssure™ family of products – includes disinfectable panels, suspension systems, and trim
- MetalWorks Clip-on panels are part of the Sustain™ portfolio and meet the most stringent industry sustainability compliance standards today
- Select products included in the FAST134 program – ready to ship in 4 weeks or less
- Transform your images onto custom perforated MetalWorks™ Create!™ ceiling and wall panels for a unique aesthetic visual with acoustical performance
- Great for renovations – transform spaces with existing 15/16" suspension quickly and easily
- 24" x 24" and 24" x 48" standard sizes; custom sizes available up to 24" x 48"
- Fixture frames provide a clean, finished look
- NRC values up to 0.90 with fiberglass infill panels

*Now, Lighting
Integration
Made Easy*



DOWNLIGHTING: MetalWorks™ Clip-on with USAI® Lighting trimless downlight fixture. Integration details at armstrongceilings.com/downlighting

METALWORKS™ Clip-on

smooth texture



LEED® WELL™ LBC

UP TO **80% RECYCLED CONTENT**

- energy management
- construction waste mgmt
- regional materials
- design for flexibility
- EPD
- recyclable/producer resp.
- biobased materials
- recycled content
- sourcing of raw materials
- material ingredient reporting
- low emitting materials
- lighting quality
- acoustics

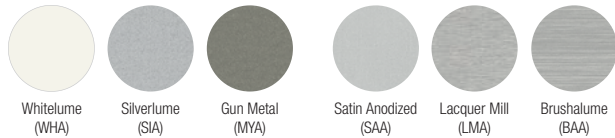
LOCATION DEPENDENT

Calculate sustainability with GreenGenie™ armstrongceilings.com/greengenie

WITH INFILL PANEL

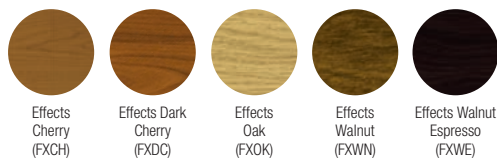
STANDARD COLORS & FINISHES Due to printing limitations, shade may vary from actual product.

MetalWorks™

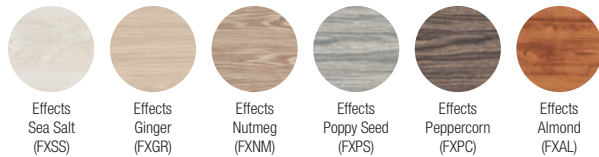


These colors are part of the Sustain™ portfolio

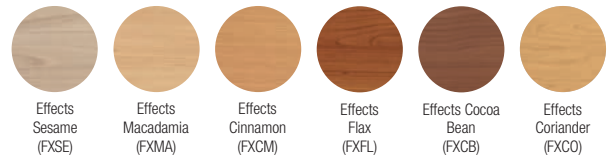
Effects™ Classic*



new Effects™ Bold*

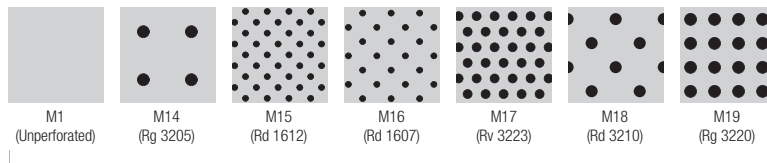


new Effects™ Subtle*



* Panels with Effects finishes are available as standard for 24" x 48" panels in M1 and M16 perforations. All other sizes, perforations, and exterior finishes are available as custom options.

STANDARD PERFORATION OPTIONS (1:2 scale shown)



These perforations are part of the Sustain™ portfolio

CUSTOM COLORS & FINISHES Due to printing limitations, shade may vary from actual product.



Custom Colors Available

Natural Reflections laminate finishes with SUSTAIN™ performance available as Custom Finish

For custom options contact ASQuote, ASQuote@armstrongceilings.com

PERFORATION OPTIONS



Custom Perforations Available



Create!™ Custom Perforations Available



METALWORKS™ Clip-on

smooth texture



Declare.

LEED WELL LBC
UP TO 80% RECYCLED CONTENT

- energy management
- construction waste mgmt
- regional materials
- design for flexibility
- EPD
- recyclable/extended producer resp.

Calculate sustainability with GreenGenie™
armstrongceilings.com/greengenie

- biobased materials
- recycled content
- sourcing of raw materials
- material ingredient reporting
- low emitting materials
- lighting quality
- acoustics

LOCATION DEPENDENT

WITH INFILL PANEL

VISUAL SELECTION

	Item No. ♦	Dimensions (Inches) W x L x H
METALWORKS™ Clip-on	7110	24 x 24 x 1"
Butt Joint	7111	24 x 48 x 1"
1/8" Reveal	7140	24 x 24 x 1"
	7141	24 x 48 x 1"
1/4" Reveal	7154	24 x 24 x 1"
	7155	24 x 48 x 1"



FAST134 program items ready to ship from manufacturer in 4 weeks or less.
Up-to-date lead times and product options (sizes and colors) at armstrongceilings.com/fast134.

♦ When specifying or ordering, include appropriate perforation and color suffix (e.g., 7110 M 1 L M A) with item number.
NOTE: Light reflectance is only for unperforated Whitelume.

PERFORMANCE

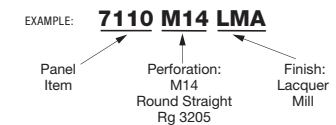
Dots represent high level of performance.

Fire Performance	Light Reflect	CleanAssure™ Disinfectable Panels		
		Fog	Spray	Wipe
Class A	0.73	•	•	•
Class A	0.73	•	•	•
Class A	0.73	•	•	•
Class A	0.73	•	•	•
Class A	0.73	•	•	•

ACOUSTICAL INFORMATION

Perforation		NRC with acoustical fleece	NRC with 1" fiberglass infill**
M1	Unperforated	-	-
M14	Rg 3205	0.55	0.85
M15	Rd 1612	0.70	0.90
M16	Rd 1607	0.70	0.80
M17	Rv 3223	0.75	0.90
M18	Rd 3210	0.65	0.85
M19	Rg 3220	0.75	0.90

**Maximum NRC achieved with acoustical infill (Item 8200T10).



METALWORKS™ Clip-on

smooth texture



Declare.

LEED® WELL™ LBC

UP TO 80% RECYCLED CONTENT

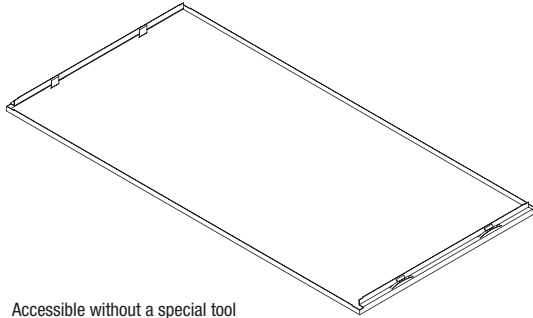
- energy management
- construction waste mgmt
- regional materials
- design for flexibility
- EPD
- recyclable/producer resp.
- biobased materials
- recycled content
- sourcing of raw materials
- material ingredient reporting
- low emitting materials
- lighting quality
- acoustics

Calculate sustainability with GreenGenie™
armstrongceilings.com/greengenie

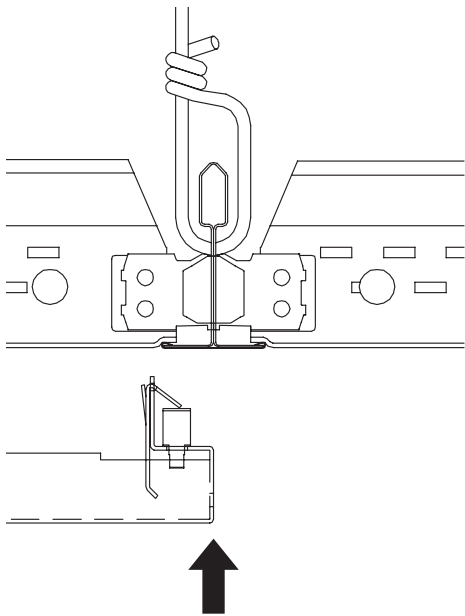
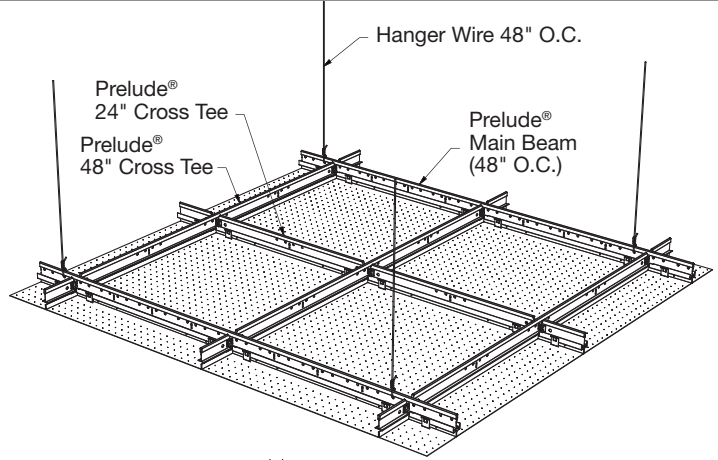
LOCATION DEPENDENT

WITH INFILL PANEL

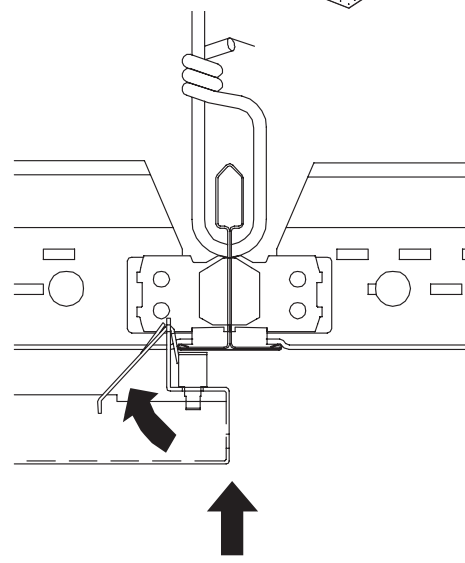
INSTALLATION DETAILS



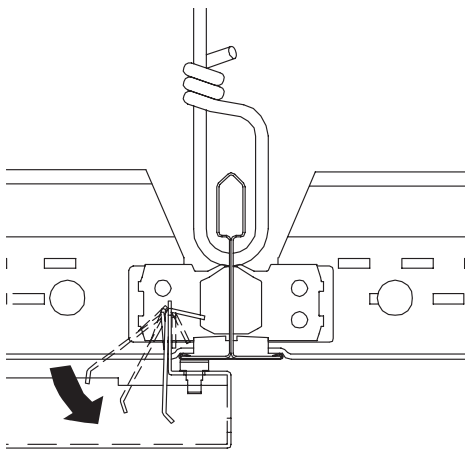
Accessible without a special tool



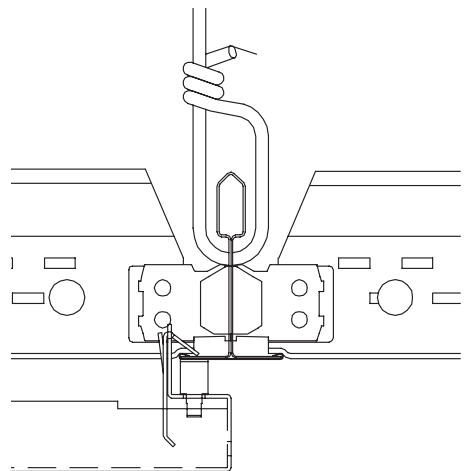
Lift panel to suspension system flange



Gravity clip rotates to clear suspension system flange



Gravity clip rotates back down after suspension system flange is cleared (spring is compressed)



Gravity clip locked onto suspension system under spring tension

TechLine 877 276-7876
armstrongceilings.com/mwclipon



METALWORKS™ – Standard

METALWORKS™ Clip-on

smooth texture



Declare.

LEED WELL LBC

UP TO **80% RECYCLED CONTENT**

Calculate sustainability with GreenGenie™ armstrongceilings.com/greengenie

- energy management
- construction waste mgmt
- regional materials
- design for flexibility
- EPD
- recyclable/extended producer resp.
- biobased materials
- recycled content
- sourcing of raw materials
- material ingredient reporting
- low emitting materials
- lighting quality
- acoustics

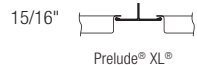
LOCATION DEPENDENT

WITH INFILL PANEL

ACCESSORIES

Item No. ♦	Description	Dimensions (Inches) Nominal W x L x H	Color	Pieces/ Carton
7112__	Box Molding	1 x 96 x 1"	WHA, SIA, MYA, SAA, LMA, BAA	10
7113__	Spreader Hold Down	1 x 10-5/8 x 1"	N/A	40
7119__	Fixture Frame	24" x 24"	WHA, SIA, MYA, SAA, LMA, BAA	1
7120__	Fixture Frame	24" x 48"	WHA, SIA, MYA, SAA, LMA, BAA	1
7223__	Perimeter Trim	1 x 96 x 4-1/4"	WHA, SIA, MYA, SAA, LMA, BAA	10
5823	BioAcoustic™ Infill Panel	24 x 24 x 5/8"	Black	12
8200T10	1" Fiberglass Infill Bag	24 x 24 x 1"	Black (Gloss)	12

SUSPENSION SYSTEMS



PHYSICAL DATA

Material

Aluminum – thickness 0.040"

Surface Finish

Painted finishes: Factory-applied polyester paint. Custom colors also available.

Effects™ Wood Looks powder-coated, post-production finishes.

Fire Performance

Painted aluminum finishes tested per Class A: ASTM E84. Flame Spread Index 25 or less. Smoke Developed Index 50 or less.

Painted Aluminum finishes CAN/ULC S102 surface burning characteristics: Flame Spread Rating 25 or less. Smoke Developed Classification 50 or less.

Acoustical Options

Perforated panels are supplied with a black fiberglass fleece to absorb sound.

Recycled Content

Up to 80%.

Installation Considerations

Ensure suspension is level and square, whether using existing or new suspension system.

Design Considerations

Panel face sits 1" lower than the suspension system. Some light, sprinklers, and other components may need to be height-adjusted when retrofitting.

Panels have a directional finish; follow direction arrows printed on the protective film.

Anodized and Lacquer Mill finishes may vary in shade between production runs as well as over time. Sizes can be mixed and matched on non-perforated panels only.

Butt joint panels are recommended if the suspension system is not coordinated with the panel color.

MetalWorks™ steel and aluminum panels are made at different manufacturing facilities that use different paint systems. Because of this, similar colors, i.e., White and Whitelume, are not exact color matches. Please consider this when designing adjacent spaces with multiple MetalWorks products.

Seismic Restraint

MetalWorks Clip-on panels have been engineered, tested, and approved for application in all seismic areas when installed per Armstrong Ceilings installation instructions.

Design Support

Project management assistance is available by calling TechLine at 1 877 276-7876.

Cleaning and Disinfecting

Cleaning and CDC approved disinfecting options available on armstrongceilings.com/cleaning

FAST134 Program Considerations

Size of Job Matters: Big jobs, over 2500 SF or 50 pieces for shapes/vertical elements will have longer lead times.

Location Matters: Transit time not included. We are ready to ship in 1 week on FAST1 items. However, transit to the states west of Wyoming may add time.

Distributor Truck Schedule Matters: We rely on distribution to help move products around the country. When speed matters, work with your local distributor to ensure FAST134 service.

Stock vs Made-to-Order Matters: FAST3 & FAST4 items are made-to-order and will ship direct to distributor. FAST1 (stocked items) will go through distribution and depend on distributor truck schedules.

Warranty

One (1) Year Limited Warranty. Details at armstrongceilings.com/warranty

Weight

0.75 lbs/SF

TechLine 877 276-7876

armstrongceilings.com/mwclipon

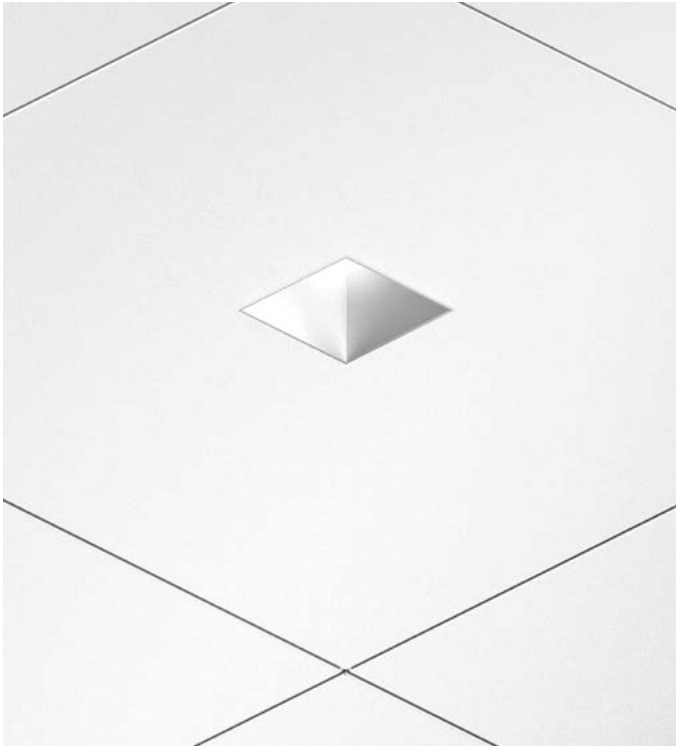


METALWORKS™ – Standard



LIGHTING SOLUTIONS METALWORKS™ Clip-on

Center Cut Panels for Recessed Downlighting
smooth texture



▲ MetalWorks Clip-on 24" x 24" panels with USAI® Lighting BeveLED® square trimless downlight for MetalWorks

Pre-cut durable, metal ceiling panels are designed to seamlessly integrate with trimless downlights. Perfectly centered fixtures, perfectly cut tiles - every time.

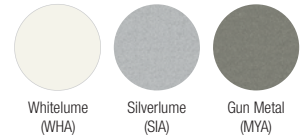
KEY SELECTION ATTRIBUTES

- Perfectly centered USAI® Lighting fixtures for flush fit visual
- Time and labor savings solution - downlight fixtures are fully adjustable within the system so there is no cutting, no mess, and no need to remove panels
- Entire system helps contribute to healthier spaces, part of CleanAssure™ portfolio
- Clean, minimal trimless appearance in durable, factory-cut metal panels
- Pre-cut Clip-on downlight panels available in FAST134 program
- Pre-engineered and tested for fit and finish in all seismic areas
- Center cut panels allow for perfectly centered lights within the panel. For offset factory-cut panels, contact ASQuote@armstrongceilings.com. Limitations or custom grid layout are possible depending on lighting layout.

COLORS

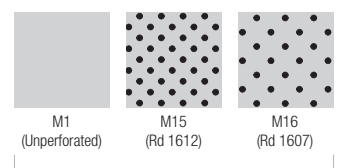
Due to printing limitations, shade may vary from actual product.

MetalWorks™



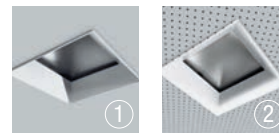
These colors are part of the Sustain™ portfolio

PERFORATION OPTIONS (1:2 scale shown)



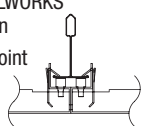
These perforations are part of the Sustain™ portfolio

DETAILS



1. M1 panel with USAI® Lighting trimless BeveLED® square downlight
2. M16 panel with USAI Lighting trimless BeveLED square downlight

VISUAL SELECTION

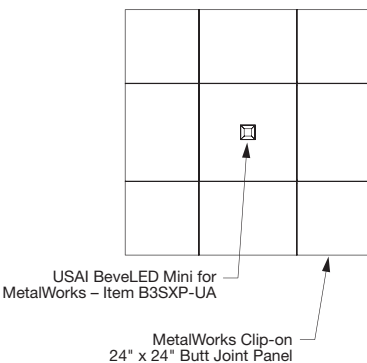
	MetalWorks™ Clip-on Panel Item No.	Panel Description	USAI® Fixture Dimension (Nominal)	Coordinating USAI® Fixture Family	Coordinating USAI Fixture Part No.	USAI Grid Mounting Bars Item No.
METALWORKS™ Clip-on Butt Joint 	7110__C03__	24" x 24" x 1"	3" Square Downlight	BeveLED® Mini for MetalWorks™	B3SXP-UA	UA2
	7110__C04__	24" x 24" x 1"	4.5" Square Downlight	BeveLED® 2.2 for MetalWorks	B4SXP-UA	UA2
	7111__C03__	24" x 48" x 1"	3" Square Downlight	BeveLED Mini for MetalWorks	B3SXP-UA	UA2 or UA4
	7111__C04__	24" x 48" x 1"	4.5" Square Downlight	BeveLED 2.2 for MetalWorks	B4SXP-UA	UA2 or UA4



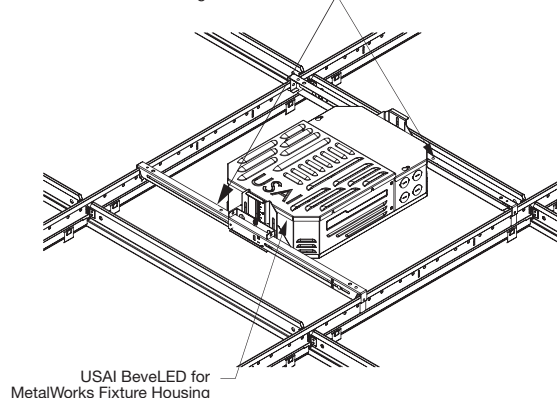
FAST134 program items ready to ship from manufacturer in 4 weeks or less.
Up-to-date lead times and product options (sizes and colors) at armstrongceilings.com/fast134.

NOTE: Refer to lighting partner cut sheets for light location considerations. For Clip-on Downlight item numbers, add the perforation following the base item number, and then add the 3-digit finish code. (ie: 7110 M15 C03 S1A)

INSTALLATION DETAILS



USAI Grid Mounting Bars Item UA2



LIGHTING FIXTURES

Compatible with USAI® Lighting BeveLED® 2.2 and BeveLED® Mini MetalWorks fixture families.



For detailed lighting information, contact your local USAI® representative or visit usailighting.com/metalworks for more information.

TechLine / 1 877 276-7876
armstrongceilings.com/downlighting
BPCS-4788-521

USAI® and BeveLED® are registered trademarks of USAI, LLC; LEED® is a registered trademark of the U.S. Green Building Council; Revit® is a registered trademark of Autodesk, Inc.; all other trademarks used herein are the property of AWI Licensing LLC and/or its affiliates © 2021 AWI Licensing LLC



METALWORKS™ - Standard