

WOODWORKS® Open Cell
Vector®

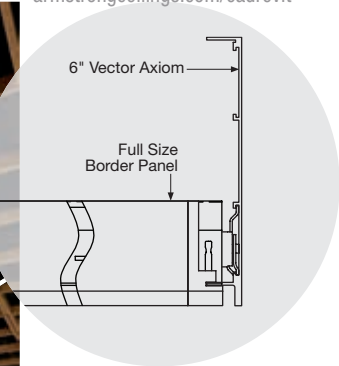
*Custom Looks
with Standard
Products*



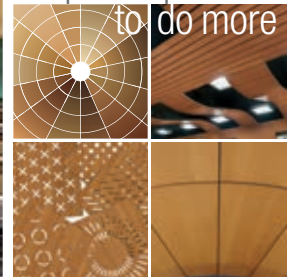
24/7
DEFEND™
Solutions for Healthier,
Safer Spaces

CONTAIN CLEAN PROTECT

CAD/Revit® drawings at:
armstrongceilings.com/cadrevit



plus capabilities
to do more



▲ WoodWorks® Open Cell – Vector® Four Square 24" x 24" panels in Grille Walnut with Axiom® Vector trim in Pewter Luster on Prelude® 15/16" suspension system in Pewter Luster

armstrongceilings.com/capabilities
See more photos at:
armstrongceilings.com/photogallery

A decorative, solid wood ceiling that is 100% accessible

KEY SELECTION ATTRIBUTES

- Enhance space volume with open-structure design
- Choose from a variety of standard designs and finishes
- CleanAssure™ family of products – includes disinfectable panels, suspension systems, and trim
- Select products included in the FAST134 program – ready to ship in 4 weeks or less
- Mix panel sizes for a variety of looks
- Vector® edge detail provides safe and secure downward accessibility without tools and narrow reveal visual (1/4")
- Suspension system, trim, and accessories designed and tested to work with WoodWorks® Open Cell panels
- BioAcoustic™ infill panel can be used to enhance acoustics

FINISHES

Due to printing limitations, shade may vary from actual product.



Grille Maple (GMP)



Grille Light Cherry (GLC)



Grille Dark Cherry (GDC)

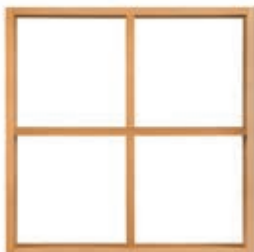


Grille Walnut (GWN)

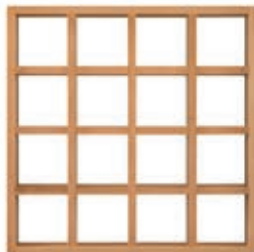


Custom Wood Species and Finishes Available

PANEL SELECTION



Item 6622 – Four Square
Available 24" x 24" and 24" x 48"



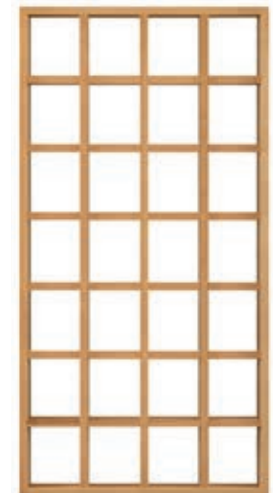
Item 6623 – Multi-Square
Available 24" x 24" and 24" x 48"



Item 6624 – Linear
Available 24" x 24" only



Item 6625 – Linear
Available 24" x 48" only



Item 6626 – Multi-Square
Available 24" x 48" only

WOODWORKS® Open Cell Vector®



LEED® WELL | LBC

energy management	construction waste mgmt	regional materials	design for flexibility	EPD	recyclable/extended producer resp.	bio-based materials	FSC® (for wood)	recycled content	sourcing of raw materials	material ingredient reporting	low emitting materials	lighting quality	acoustics

For LEED contribution contact TechLine

VISUAL SELECTION

Item No. ♦	Description	Dimensions Nominal W x L x H (Inches) Custom Sizes Available	
FSC® certified WOODWORKS® Open Cell – Vector® 1/4" Reveal with 15/16" Vector			
6622_ _ _	Four Square with 12" Cells	24 x 24 x 2-1/4"	
6623_ _ _	Multi-Square with 6" Cells	24 x 24 x 2-1/4"	
6624_ _ _	Linear with 6" Cells	24 x 24 x 2-1/4"	
6625_ _ _	Four Square with 12" Cells	24 x 48 x 2-1/4"	
6626_ _ _	Multi-Square with 6" Cells	24 x 48 x 2-1/4"	

PERFORMANCE

Dots represent high level of performance.

Fire Rating	Acoustics NRC	CleanAssure™ Disinfectable Panels		
		Fog	Spray	Wipe
See below	0.75†	•	•	•
See below	0.75†	•	•	•
See below	0.75†	•	•	•
See below	0.75†	•	•	•
See below	0.75†	•	•	•



FAST134 program items ready to ship from manufacturer in 4 weeks or less. Up-to-date lead times and product options (sizes and colors) at armstrongceilings.com/fast134.

♦ When specifying or ordering, include the appropriate 3-letter color suffix (e.g., 6622 G M P).
NOTE: For additional color and size options available as special order, call TechLine at 1 877 276-7876.

† NRC measured using BioAcoustic™ infill item 5823

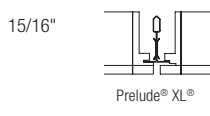
ACCESSORIES armstrongceilings.com/wwaccessories

Item No.	Description	Dimensions Nominal W x L x H (Inches) Custom Sizes Available	Color	Acoustics NRC	Pieces/ Carton
5823	BioAcoustic™ Infill Panel	24 x 24 x 5/8"	Black (Matte)	0.75	12

ACCESSORIES

Axiom® Vector trim, details, accessories, and item 5823 BioAcoustic™ Infill Panel information are detailed on the WoodWorks Trim and Accessories pages or at: armstrongceilings.com/wwaccessories

SUSPENSION SYSTEM



PHYSICAL DATA

Material
FSC® certified solid Poplar (yellow or hybrid) (RA-COC-003601)

Surface Finish
Clear or tinted semi-gloss coating

Fire Performance
Solid Poplar Hardwood – Class C ASTM E84 surface burning characteristics. Flame Spread Index 200 or less. Smoke Developed Index 450 or less.

WoodWorks® Open Cell panels, as with other architectural features located at the ceiling, may obstruct or skew the planned fire sprinkler water distribution pattern, or possibly delay or accelerate the activation of the sprinkler or fire detection systems by channeling heat from a fire either toward or away from the device.

Designers and installers are advised to consult a fire-protection engineer, NFPA 13, and local codes for guidance where automatic fire detection and suppression systems are present. For more information, visit armstrongceilings.com/woodworks

Application Considerations
Variation among panels may occur due to the natural characteristics of the wood and grain.

Design Considerations
It is very important that WoodWorks panels are climatized prior to installation. Relative humidity between 25% and 55%, and temperatures between 50°F and 86°F, must be maintained. Exposed, unpainted back of Axiom® trim may be visible when using higher trims on full-size panel installation only.

Installation Consideration
Do not cut panels.

Seismic Restraint
WoodWorks Open Cell panels have been engineered, tested, and approved for application in all seismic areas when installed per Armstrong Ceilings installation instructions.

Cleaning and Disinfecting
Cleaning and CDC approved disinfecting options available on armstrongceilings.com/cleaning

FAST134 Program Considerations
Size of Job Matters: Big jobs, over 2500 SF or 50 pieces for shapes/vertical elements will have longer lead times.
Location Matters: Transit time not included. We are ready to ship in 1 week on FAST1 items. However, transit to the states west of Wyoming may add time.
Distributor Truck Schedule Matters: We rely on distribution to help move products around the country. When speed matters, work with your local distributor to ensure FAST134 service.
Stock vs Made-to-Order Matters: FAST3 & FAST4 items are made-to-order and will ship direct to distributor. FAST1 (stocked items) will go through distribution and depend on distributor truck schedules.

Warranty
Details at armstrongceilings.com/warranty

Weight
6623, 6626 – 1.0 lbs/SF
6624 – 0.625 lbs/SF
6622, 6625 – 0.5 lbs/SF
Bulk Packaged

TechLine / 1 877 276-7876
armstrongceilings.com/woodworksopencell
BPCS-5108-421

LEED® is a registered trademark of the U.S. Green Building Council; Living Building Challenge® (LBC) is a trademark of the International Living Future Institute®; WELL™ and Well Building Standard are trademarks of the International WELL Building Institute; FSC® is a registered trademark of FSC Forest Stewardship Council, A.C., license code FSC-C007828; Revit® is a registered trademark of Autodesk, Inc., all other trademarks used herein are the property of AWI Licensing LLC and/or its affiliates © 2021 AWI Licensing LLC



WOODWORKS® – Standard