

CAD/Revit® drawings at:  
[armstrongceilings.com/cadrevit](http://armstrongceilings.com/cadrevit)



▲ WoodWorks® Tegular panels with W2 perforation in Natural Variations™ Maple with Suprafine® XL® 9/16" exposed tee suspension system

[armstrongceilings.com/capabilities](http://armstrongceilings.com/capabilities)  
 See more photos at:  
[armstrongceilings.com/photogallery](http://armstrongceilings.com/photogallery)

Now get Total Acoustics® performance with WoodWorks® Tegular perforated panels – excellent noise reduction and sound blocking in one system.

**KEY SELECTION ATTRIBUTES**

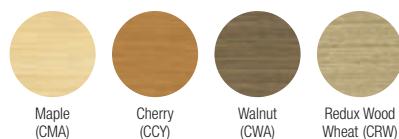
- Get total noise control and design flexibility with Total Acoustics® ceiling panels: NRC + CAC = Total Acoustics
- Create upturns for continuous visuals and clouds with WoodWorks trim
- new** • CleanAssure™ family of products – includes disinfectable panels, suspension systems, and trim
- Coordinating WoodWorks walls available
- new** • Select products included in the FAST134 program – ready to ship in 4 weeks or less
- 18" x 18" Tegular infill panels now available for Metaphors® Coffers; for details, visit [armstrongceilings.com/metaphors](http://armstrongceilings.com/metaphors)
- Shorter lead times and lower cost than custom millwork
- USDA Biobased Content: 100%

**VENEERS** Due to printing limitations, shade may vary from actual product.

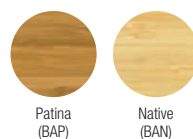
**Natural Variations™**  
 (Real Wood Veneers)



**Constants™**  
 (Real Wood Veneers)



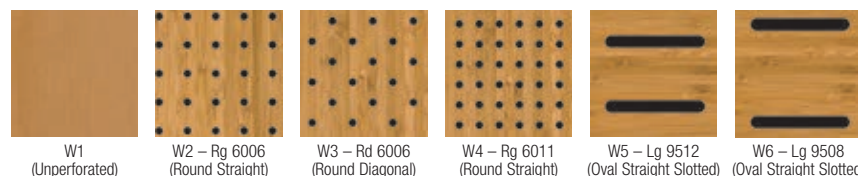
**Bamboo\***



Custom Veneers and Finishes Available (extended lead times)

\* Veneer is rapidly renewable. Bamboo is a grass that only requires 3-7 years for maturity and does not have to be replanted after each harvest.

**PERFORATION OPTIONS** (Actual 1:6 scale shown)



*Custom Perforations Available*

# WOODWORKS®

## Tegular

USDA  
CERTIFIED  
BIOBASED  
PRODUCT  
PRODUCT 100%



LEED® WELL | LBC

UP TO 75% RECYCLED CONTENT

energy management  
construction waste mgmt  
regional materials  
design for flexibility  
EPD

recyclable/extended producer resp.  
biobased materials  
FSC® (for wood)  
recycled content  
sourcing of raw materials  
material ingredient reporting  
low emitting/ materials  
lighting quality  
acoustics

LOCATION DEPENDENT

WITH INFILL PANEL

Calculate sustainability with GreenGenie™  
armstrongceilings.com/greengenie

### VISUAL SELECTION

Edge Profile	Item No. ♦	Dimensions Nominal W x L x H (Inches) Custom Sizes Available	Perforations
WOODWORKS® Tegular 9/16" Square Tegular 	5404_____	24 x 24 x 3/4" □	W1, W2, W3, W4, W5, W6
FSC® certified WOODWORKS® Tegular 9/16" Square Tegular 	5406_____	24 x 24 x 3/4" □	W1, W2, W3, W4, W5, W6
	6484_____	12 x 48 x 3/4" ▬	W1, W2, W3, W4, W5, W6
	6485_____	12 x 72 x 3/4" ▬	W1, W2, W3, W4, W5, W6
	6486_____**	24 x 48 x 3/4" □	W1, W2, W3, W4, W5, W6
	6487_____**	24 x 72 x 3/4" ▬	W1, W2, W3, W4, W5, W6
TechZone® Panels	6510_____	24 x 42 x 3/4" □	W1, W2, W3, W4, W5, W6
	6511_____	30 x 30 x 3/4" □	W1, W2, W3, W4, W5, W6
	6512_____	27 x 30 x 3/4" □	W1, W2, W3, W4, W5, W6

**FAST**  
4 WEEKS  
or Less

FAST134 program items ready to ship from manufacturer in 4 weeks or less.  
Up-to-date lead times and product options (sizes and colors) at [armstrongceilings.com/fast134](http://armstrongceilings.com/fast134).

- ♦ When specifying or ordering, include the appropriate 2-digit perforation and 3-letter color suffixes. For veneers, sizes, and perforation patterns available as special order, call TechLine at 1 877 276-7876.
- \*\* 24" x 48" and 24" x 72" Tegular panels are available standard with fleece attached. Fleece on other panels must be specified.

NOTE: Items 6485 and 6487 (12" x 72" and 24" x 72" series) include suspension system stabilizer hooks. Items 6510, 6511, and 6512 are available in limited standard finishes and perforation options.

### PERFORMANCE

Fire Rating	CleanAssure™ Disinfectable Panels			
	Fog	Spray	Wipe	
Class A	•	•	•	
Class A	•	•	•	
Class A	•	•	•	
Class A	•	•	•	
Class A	•	•	•	
Class A	•	•	•	
Class A	•	•	•	
Class A	•	•	•	
Class A	•	•	•	

### ACOUSTICAL INFORMATION

Performance determined by perforation size. Dots represent high level of performance.

Perforation	Infill Panel Item No.	NRC	CAC	Total Acoustics <sup>1</sup>
W1 Unperforated		N/A	38	-
W2 Round Straight	8200T10	0.40	28	-
	5479	0.40	28	-
	5823	0.40	28	-
	1713BL	0.65	42	GOOD
	2820BK	0.70	37	BETTER
W3 Round Diagonal	8200T10	0.40	28	-
	5479	0.40	28	-
	5823	0.40	28	-
	1713BL	0.65	42	GOOD
	2820BK	0.70	37	BETTER
W4 Round Straight	8200T10	0.40	28	-
	5479	0.40	28	-
	5823	0.40	28	-
	1713BL	0.70	42	BETTER
	2820BK	0.70	37	BETTER
W5 Oval Straight Slotted	8200T10	0.40	28	-
	5479	0.40	28	-
	5823	0.40	28	-
	1713BL	0.70	42	BETTER
	2820BK	0.80	37	BEST
W6 Oval Straight Slotted	8200T10	0.40	28	-
	5479	0.40	28	-
	5823	0.40	28	-
	1713BL	0.65	42	GOOD
	2820BK	0.70	37	BETTER

<sup>1</sup> Total Acoustics® ceiling panels have an ideal combination of sound absorption and sound blocking in one product.

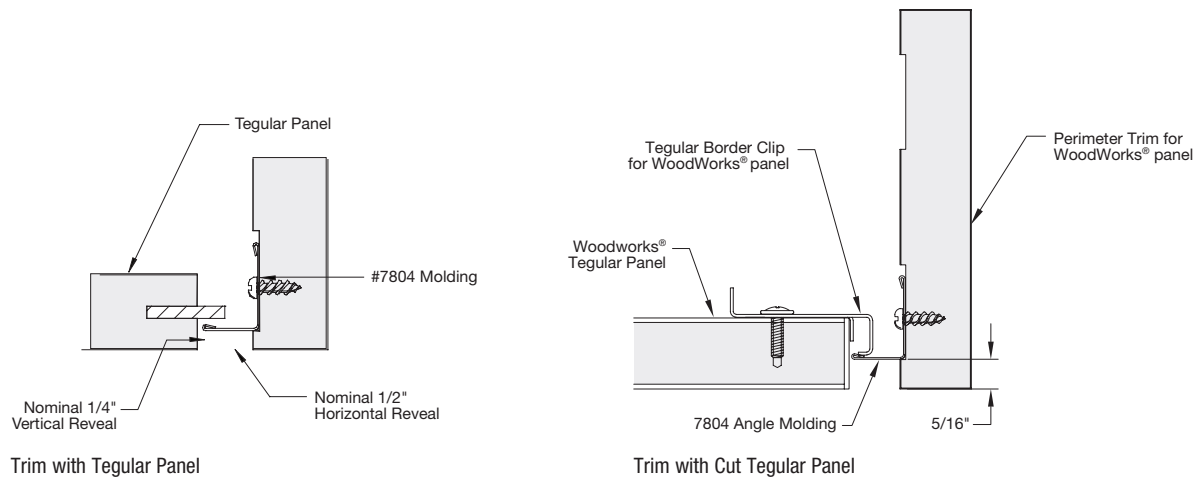
- GOOD (NRC 0.60-0.65; CAC 35+)
- BETTER (NRC 0.70-0.75; CAC 35+)
- BEST (NRC 0.80+; CAC 35+)



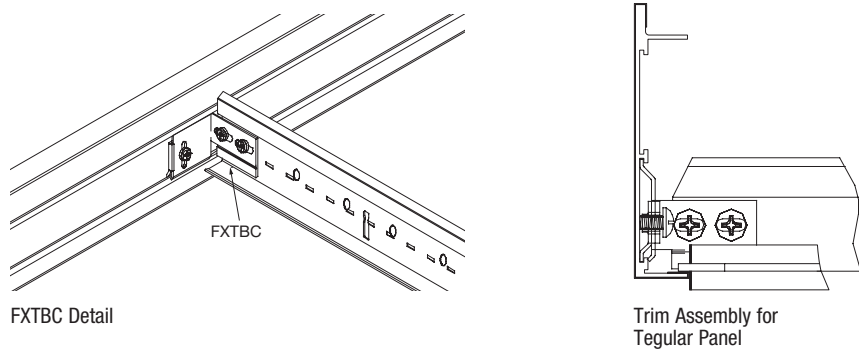
# WOODWORKS®

Tegular

## WOODWORKS® TRIM INSTALLATION



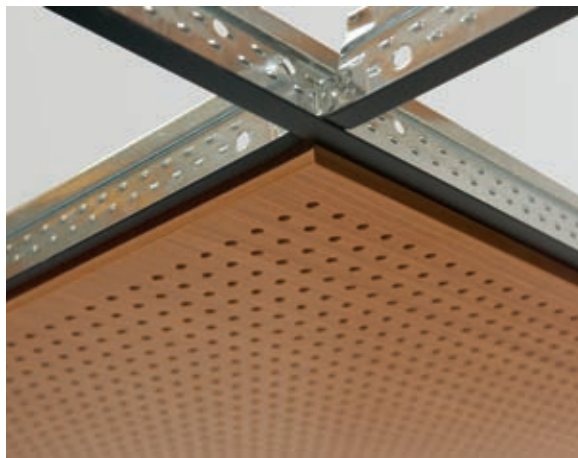
## INSTALLATION OF TRIM (ALUMINUM SUBSTRATE) FOR WOODWORKS® PANELS



## TOTAL ACOUSTICS® PANEL INSTALLATION



WoodWorks® Tegular ceiling panel with Calla® 2820 acoustic infill panel – Total Acoustics® ceiling system



WoodWorks® Tegular ceiling panel with acoustical panel installed – Total Acoustics® ceiling system



WOODWORKS® – Standard

# WOODWORKS®

## Tegular

### ACCESSORIES

Item No. ♦	Description	Dimensions (Inches) Nominal W x L x H	Color	Pcs/ Crtn
5415W1_ _ _	4" trim for WoodWorks® panels (with FSC® certified wood substrate)	4 x 96 x 3/4"	armstrongceilings.com/ wwaccessories	6
5419W1_ _ _	6" trim for WoodWorks® panels (with FSC® certified wood substrate)	6 x 96 x 3/4"	armstrongceilings.com/ wwaccessories	4
5659W1_ _ _	4" trim for WoodWorks® panels (with aluminum substrate)	4" x 120"	armstrongceilings.com/ wwaccessories	6
5660W1_ _ _	6" trim for WoodWorks® panels (with aluminum substrate)	6" x 120"	armstrongceilings.com/ wwaccessories	6
7804BL	Angle Molding (recommended with wood trims)	7/8 x 144 x 9/16"	Black	2
FXTBC	T-Bar Connector Clip	N/A	N/A	10
FXVTBC	T-Bar Connector Clip for Vector® panels	N/A	N/A	10
FXSPICE	Splice Plate with Setscrews	N/A	N/A	10
FX4SPICE	Splice Plate with Setscrews	N/A	N/A	10
6408_ _ _	3/4" Edge Banding	3/4" x 300"	armstrongceilings.com/ wwaccessories	N/A
7891	12-Gauge Hanger Wire	144" Length	N/A	N/A
92715A620	Self-tapping Screws	#2 x 3/4" Length	Black	25
1713BL	Fine Fissured™ Lay-in Panel	24 x 24 x 3/4"	Tech Black	14
2820BK	Calla® Lay-in Panel	24 x 24 x 1"	Black	10
5479	BioAcoustic™ Infill Panel	24 x 24 x 5/8"	Beige Matte	12
5823	BioAcoustic Infill Panel	24 x 24 x 5/8"	Black Matte	12
8200T10	Fiberglass Infill Panel	24 x 24 x 1"	Black Gloss	12
6091	Safety Cable	N/A	N/A	50
5870	WoodWorks® Touch-up (1 marker and 1 fill stick)	N/A	N/A	1

♦ When specifying or ordering, include the color suffix that coordinates with your WoodWorks ceiling: (e.g., 5415W1 N M P)



WoodWorks® Vector® with 4" WoodWorks Trim (wood substrate) in Bamboo Patina



Axiom® Trim also available in multiple colors and profile sizes. For details, visit [armstrongceilings.com/axiom](http://armstrongceilings.com/axiom)

### SUSPENSION SYSTEMS (Heavy-duty)

9/16"  
Tegular



Silhouette® HD



Suprafine® HD



Interlude® XL® HRC HD

Suprafine® suspension system is available in many standard colors. All other suspension systems are available in standard White only. Other colors available as special order.

### PHYSICAL DATA

#### Material

Fire-retardant particle board with face-cut veneers; FSC® certified fire-retardant particle board with face-cut veneers (RA-COC-003601). For more information about FSC® certified fire-retardant products, or to view our FSC® certification letter, visit [armstrongceilings.com/woodworksfsfc](http://armstrongceilings.com/woodworksfsfc)

#### Surface Finish

Clear or tinted semi-gloss coating

#### Fire Performance

Class A: ASTM E84 surface burning characteristics. Flame Spread Index 25 or less. Smoke Developed Index 50 or less.

CAN/ULC S102 surface. Flame Spread Rating 25 or less. Smoke Developed Classification 50 or less.

#### Acoustical Performance

CAC testing conducted using Silhouette® suspension system.

#### ASTM E1264 Classification

ASTM E1264 Type XX - Fire Class A

#### Primary (Embodied) Energy

See all LCA information on our EPDs.

#### Application Considerations

Variation among panels may occur due to the natural characteristics of the wood and grain.

It is very important that WoodWorks® panels are climatized prior to installation. Relative humidity between 25% and 55%, and temperatures between 50°F and 86°F, must be maintained throughout the life of the product.

#### Design Considerations

Different panels should not be installed together. Perforated border on 24" x 72" panels are different than other panel sizes.

#### Specification Consideration

Attention: For FSC® certified wood products to maintain their CoC certification, products must be sold to a CoC-certified distributor or directly to the installing contractor. Failure to do so breaks the CoC.

#### Installation Consideration for Tegular Panels

Due to panel weight, 24" x 48" and 24" x 72" panels require that the suspension system be attached to the back with safety cables attached. 12" x 72" and 24" x 72" panels require the use of suspension system stabilizer clips (which are included in the cartons).

#### Seismic Restraint

WoodWorks Tegular solid wood panels have been engineered, tested, and approved for application in all seismic areas when installed per Armstrong Ceilings installation instructions.

#### Cleaning and Disinfecting

Cleaning and CDC approved disinfecting options available on [armstrongceilings.com/cleaning](http://armstrongceilings.com/cleaning)

#### FAST134 Program Considerations

Size of Job Matters: Big jobs, over 2500 SF or 50 pieces for shapes/vertical elements will have longer lead times.

Location Matters: Transit time not included. We are ready to ship in 1 week on FAST1 items. However, transit to the states west of Wyoming may add time.

Distributor Truck Schedule Matters: We rely on distribution to help move products around the country. When speed matters, work with your local distributor to ensure FAST134 service.

Stock vs Made-to-Order Matters: FAST3 & FAST4 items are made-to-order and will ship direct to distributor. FAST1 (stocked items) will go through distribution and depend on distributor truck schedules.

#### Warranty

Details at [armstrongceilings.com/warranty](http://armstrongceilings.com/warranty)

**Weight; Square Feet**  
Panels – 2.75 lbs/SF