

METALWORKS™ Torsion Spring Interior and Exterior smooth texture

*Custom looks
with Standard
Products*



**24/7
DEFEND™**
Solutions for Healthier,
Safer Spaces

CONTAIN CLEAN PROTECT



CAD/Revit® drawings at:
armstrongceilings.com/CAD-REVIT

CREATE!™ CUSTOM PERFORATIONS



Art and acoustics blend with MetalWorks™ Create!™ custom perforated panels. More at:
armstrongceilings.com/metalworkscree

▲ MetalWorks™ Torsion Spring panels with custom perforations in Silverlume with Prelude® XL® 15/16" suspension system

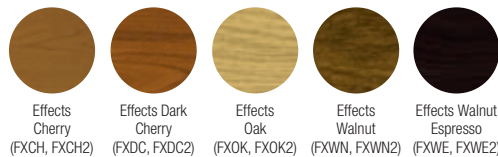
Large-size concealed panels offer a monolithic visual with 100% downward accessibility.

KEY SELECTION ATTRIBUTES

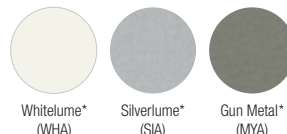
- new** Now, transform your images onto custom perforated MetalWorks™ Create!™ ceiling and wall panels for a unique aesthetic plus acoustical performance
- new** Now available in 17 standard Effects™ finishes for both interior and exterior applications
- MetalWorks Torsion Spring is part of the Sustain™ portfolio and meets the most stringent sustainability compliance standards today. Unperforated (M1) panels only
- new** Select products included in the FAST134 program – ready to ship in 4 weeks or less
- 48" x 48" panels are available as a premium option (WHA, SIA, and MYA finishes only)
- new** CleanAssure™ family of products – includes disinfectable panels, suspension systems, and trim
- Interior panels feature swing-down accessibility
- For exterior applications, choose from 24 x 24 x 1-1/2" and 24 x 48 x 1-1/2" standard panel sizes
- Reflections™ laminate finishes provide superior wood-look visual with printed vinyl bonded to aluminum; visuals other than the ones shown are also available
- NRC values up to 0.90 with fiberglass infill panels (select perforation patterns)

COLOR SELECTION Due to printing limitations, shade may vary from actual product.

Effects™ Classic (Interior, Exterior)



MetalWorks™ (Interior, Exterior)

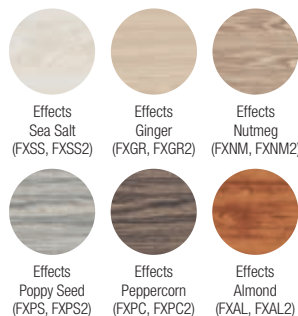


(Interior Only)

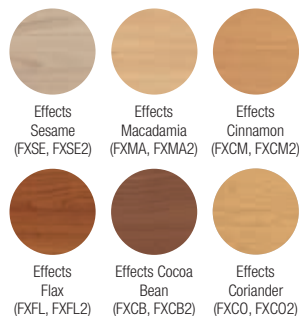


* Part of the Sustain™ portfolio in unperforated (M1) panels only.

new Effects™ Bold (Interior, Exterior)



new Effects™ Subtle (Interior, Exterior)

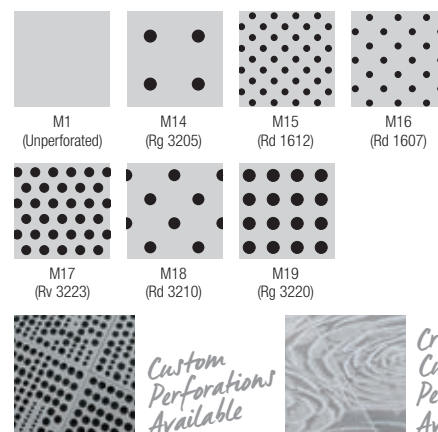


new Natural Reflections Laminate Finishes* (Interior Only)



* Part of the Sustain™ portfolio in unperforated (M1) panels only. For premium requests contact ASQuote, asquote@armstrongceilings.com

PERFORATION OPTIONS (1:2 scale shown)



TechLine 877 276-7876

armstrongceilings.com/metalworkstorsionspring



METALWORKS™ Torsion Spring

Interior and Exterior

smooth texture



LEED® WELL™ LBC

UP TO 80% RECYCLED CONTENT

energy management, construction waste mgmt, regional materials, design for flexibility, EPD, recyclable/excise producer resp., biobased materials, recycled content, sourcing of raw materials, material ingredient reporting, low emitting materials, lighting quality, acoustics

Calculate sustainability with GreenGenie™ armstrongceilings.com/greengenie

VISUAL SELECTION

Item No. ♦	Dimensions (Inches) W x L x H
METALWORKS™ Torsion Spring Interior Panels Square 15/16"	Custom Sizes Available
7209	24 x 24 x 1-1/2"
7210	24 x 48 x 1-1/2"
7211	24 x 72 x 1-1/2"
7212	24 x 96 x 1-1/2"
7213	30 x 30 x 1-1/2"
7225	24 x 24 x 1-1/2"
7226	24 x 48 x 1-1/2"



FAST134 program items ready to ship from manufacturer in 4 weeks or less. Up-to-date lead times and product options (sizes and colors) at armstrongceilings.com/fast134.

NOTE: 48" x 48" panels are available as a premium option (WHA, SIA, and MYA finishes only)
 ♦ When specifying or ordering, include the appropriate perforation and color suffix with the item number (e.g., 7209 M 1 4 L M A).
 * Light reflectance is for unperforated Whitelume.
 ** Class A fire rating on MetalWorks painted finishes and Class B on laminate finishes.

PERFORMANCE

Dots represent high level of performance.

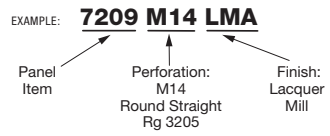
Fire Performance**	Light Reflect*	Springs per Panel	CleanAssure™ Disinfectable Panels		
			Fog	Spray	Wipe
Class A/ Class B	0.75	4	•	•	•
Class A/ Class B	0.75	4	•	•	•
Class A/ Class B	0.75	6	•	•	•
Class A/ Class B	0.75	6	•	•	•
Class A/ Class B	0.75	4	•	•	•
Class A/ Class B	0.75	4	•	•	•
Class A/ Class B	0.75	4	•	•	•

ACOUSTICAL INFORMATION

Perforation	NRC with acoustical fleece	NRC with 1" fiberglass infill ††
M1† Unperforated	N/A	N/A
M14† Rg 3205	0.55	0.85
M15† Rd 1612	0.70	0.90
M16† Rd 1607	0.70	0.80
M17† Rv 3223	0.75	0.90
M18† Rd 3210	0.65	0.85
M19† Rg 3220	0.75	0.90

† Available for exterior applications
 †† Maximum NRC achieved with acoustical infill (item 8200T10 or 5823).

For infill panel information, visit armstrongceilings.com/mwaccessories



PHYSICAL DATA

Material
 Aluminum – thickness 0.040"
 Aluminum – thickness 0.060" (Item 7226 only)

Surface Finish
 Reflections™ laminates: Vinyl-faced membrane
 Painted finishes: Factory-applied polyester paint. Effects™ Wood Looks powder-coated, post-production finishes. Custom colors and finishes available.

Fire Performance
 Painted aluminum finishes:
 Class A: ASTM E84. Flame Spread Index 25 or less. Smoke Developed Index 50 or less.
 Laminate finishes:
 Class B: ASTM E84. Flame Spread Index 75 or less. Smoke Developed Index 450 or less.

ASTM E1264 Classification
 Painted aluminum finishes:
 Unperforated: ASTM E1264 Type XX Pattern G Fire Class A
 Perforated - ASTM E1264 Type XX Pattern C Fire Class A
 Laminate finishes:
 Unperforated - ASTM E1264 Type XX Pattern G Fire Class B
 Perforated - ASTM E1264 Type XX Pattern C Fire Class B

Acoustical Options
 Perforated panels are supplied with a black fiberglass fleece to absorb sound.

Recycled Content
 Minimum 25%. Up to 80% recycled content available.

Code Considerations
 The International Mechanical Code requires that materials used in forming part of an air plenum, have a Flame Spread Rating 25 or less and a Smoke Developed Index 50 or less on all surfaces of the material including those surfaces that may be exposed by cutting the material. Exception: The IBC states, "Materials having a thickness less than 0.036 inches (0.9mm) applied directly to the surface of walls or ceilings shall not be required to be tested." Panels finished with Reflections™ laminates and paint finishes typically have a thickness less than 0.036 inches (0.9mm). These finishes are applied directly to the Class A aluminum substrate.

Design Considerations
 Anodized and Lacquer Mill finishes may vary in shade between production runs as well as over time. Sizes can be mixed and matched on non-perforated panels only.
 30" x 30" panels have a directional finish that is perpendicular to the main beams; all other panel sizes have a directional finish that is parallel to the main beams.
 MetalWorks™ steel and aluminum panels are made at different manufacturing facilities that use different paint systems. Because of this, similar colors, i.e., White and Whitelume, are not exact color matches. Please consider this when designing adjacent spaces with multiple MetalWorks products.
Wind Uplift Performance
 24" x 24" and 24" x 48" panels noted for exterior flat applications tested for wind uplift Classes 30, 60, and 90. Specific installation instructions to meet these classes are available.
 For more information, visit armstrongceilings.com or contact TechLine customer support at 1 877 276-7876.

Design Support
 Project management assistance is available by calling TechLine customer support at 1 877 276-7876.

Seismic Restraint
 MetalWorks Torsion Spring panels have been engineered, tested, and approved for application in all seismic areas when installed per Armstrong Ceilings installation instructions.

Cleaning and Disinfecting
 Cleaning and CDC approved disinfecting options available on armstrongceilings.com/cleaning

FAST134 Program Considerations
 Size of Job Matters: Big jobs, over 2500 SF or 50 pieces for shapes/vertical elements will have longer lead times.
 Location Matters: Transit time not included. We are ready to ship in 1 week on FAST1 items. However, transit to the states west of Wyoming may add time.
 Distributor Truck Schedule Matters: We rely on distribution to help move products around the country. When speed matters, work with your local distributor to ensure FAST134 service.
 Stock vs Made-to-Order Matters: FAST3 & FAST4 items are made-to-order and will ship direct to distributor. FAST1 (stocked items) will go through distribution and depend on distributor truck schedules.

Warranty
 One (1) year limited warranty.
 Details at armstrongceilings.com/warranty

Weight
 0.69 lbs/SF
 0.86 lbs/SF (Item 7226)

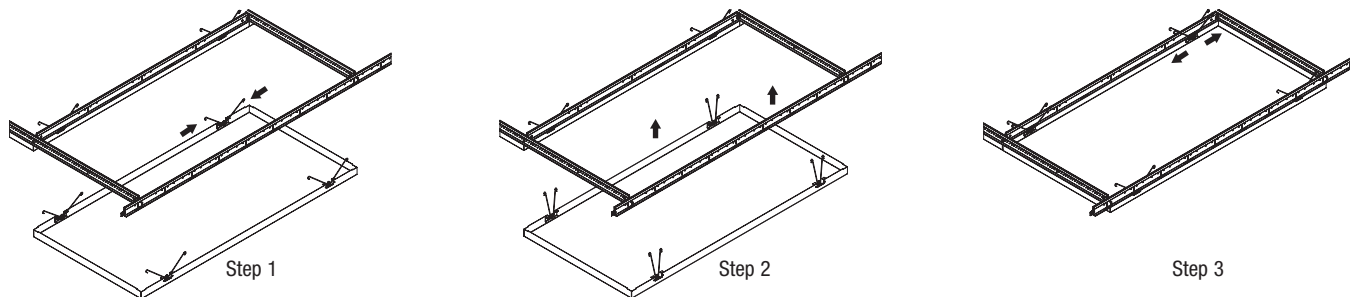


METALWORKS™ – Standard

METALWORKS™ Torsion Spring Interior and Exterior

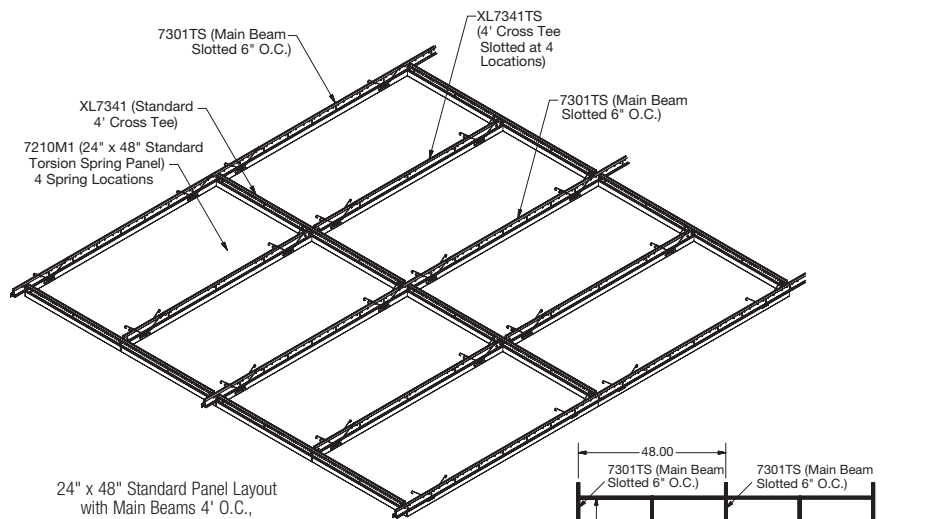
Installation Details

HOW TO INSTALL PANELS

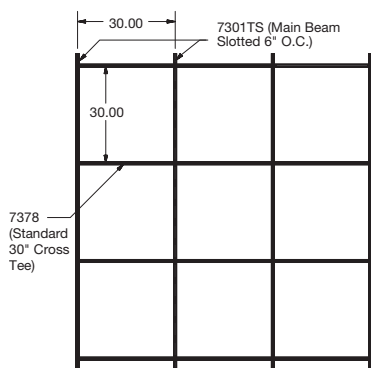


INTERIOR INSTALLATION DETAILS

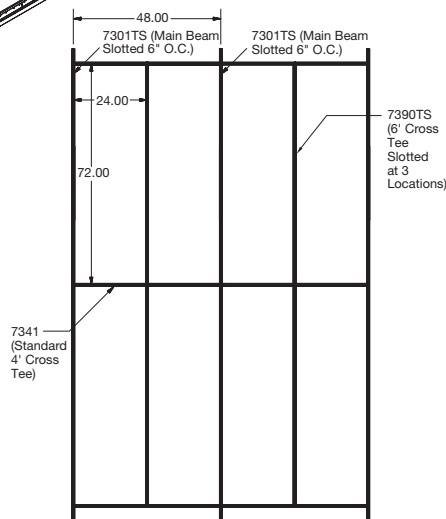
For exterior details, consult the MetalWorks™ Exterior Torsion Spring installation instructions, BPLA-297922, on our web site.



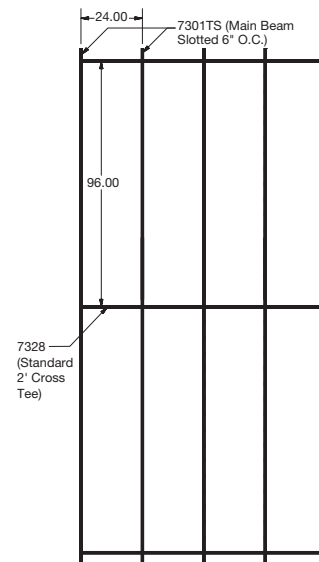
24" x 48" Standard Panel Layout with Main Beams 4' O.C., Standard 4' Prelude® XL® Cross Tees, 4' Slotted Cross Tees



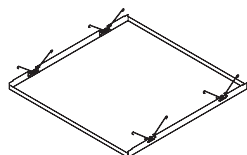
7378 (Standard 30" Cross Tee)



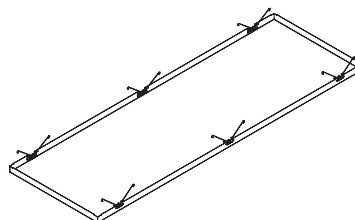
7341 (Standard 4' Cross Tee)



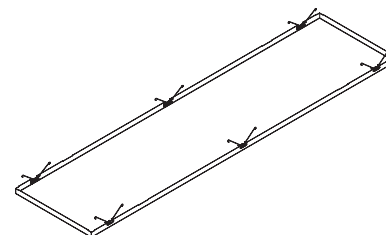
2x8 Grid Layout (Scale - 1:25)



Suspension System Layout for 30" x 30" Panels



Suspension System Layout for 24" x 72" Panels



Suspension System Layout for 24" x 96" Panels

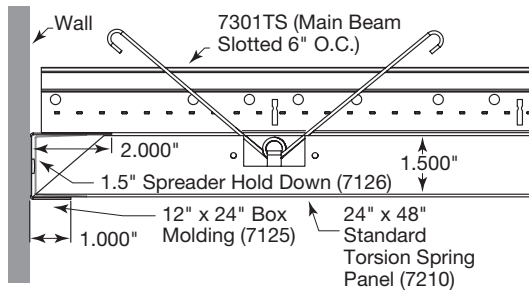


METALWORKS™ Torsion Spring Interior and Exterior

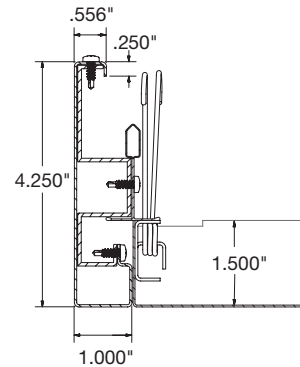
Perimeter Details

INTERIOR WALL PERIMETER DETAILS – For exterior details, consult the MetalWorks™ Exterior Torsion Spring installation instructions, BPLA-297922, on our web site.

Installation Detail – Wall Perimeter

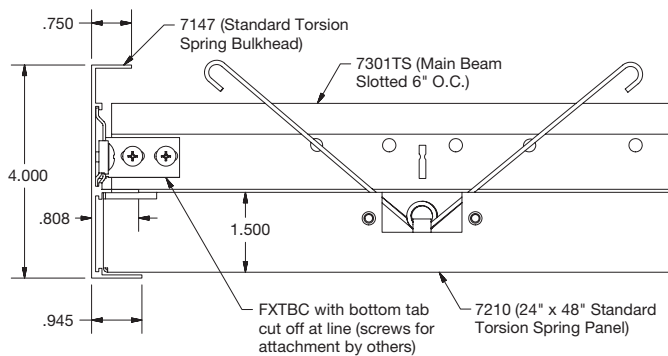


Installation Detail – Perimeter Trim (Formed Trim #7131)

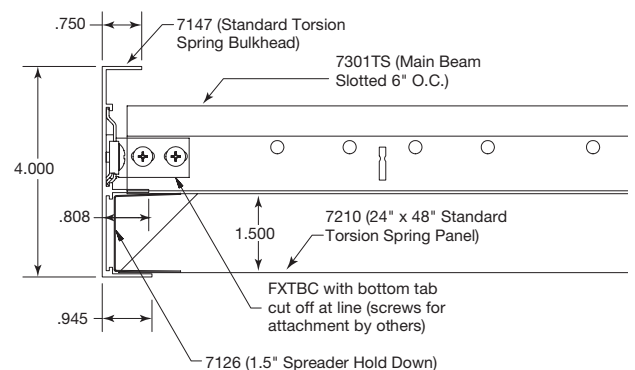


Installation Detail – Perimeter Trim (Extruded Trim #7147)

Full Panels



Cut Panels



ACCESSORIES

Item No. ♦	Description	Dimensions (Inches) Nominal W x L x H	Color	Pieces/ Carton
7125_ _ _	Box Molding (for Laminates, Black is recommended)	2 x 96 x 1.5"	WHA, SIA, MYA, SAA, LMA, BAA, BL	10
7147_ _	Torsion Spring Perimeter Trim (Extruded) (for Laminates, Black is recommended)	1 x 120 x 4"	WH, SG, MY, BL*	6
7131_ _ _	Torsion Spring Perimeter Trim (Formed)	1 x 96 x 4.25"	LMA, BAA, SAA	6
7126	Spreader Hold Down	1 x 10-5/8 x 1-1/2"	N/A	10
5823	BioAcoustic™ Infill Panel	24 x 24 x 5/8"	Black	12
8200T10	1" Fiberglass Infill Bag	24 x 24 x 1"	Black (Gloss)	12
7129	Torsion Spring Hook Access Tool	N/A	N/A	1
7130	Torsion Spring Suction Access Tool	N/A	N/A	1

♦ When specifying or ordering, include the appropriate color code with the item number (e.g. 7131 L M A)
* Coordinates with WHA, SIA, MYA Torsion Spring Panel finish



METALWORKS™ Torsion Spring Interior and Exterior

Installation Details

HOW TO INSTALL PANELS

Item No. ◆	Description	Dimensions (Inches) Nominal W x L x H	Color	Pieces/ Carton
7125_ _ _	Box Molding (for Laminates and PureWood™, Black is recommended)	2 x 96 x 1.5"	WHA, SIA, MYA, SAA, LMA, BAA, BL	10
7147_ _	Torsion Spring Perimeter Trim (Extruded) (for Laminates and PureWood, Black is recommended)	1 x 120 x 4"	WH, SG, MY, BL*	6
7131_ _ _	Torsion Spring Perimeter Trim (Formed)	1 x 96 x 4.25"	LMA, BAA, SAA	6
7126	Spreader Hold Down	1 x 10-5/8 x 1-1/2"	N/A	10
5823	BioAcoustic™ Infill Panel	24 x 24 x 5/8"	Black	12
8200T10	1" Fiberglass Infill Bag	24 x 24 x 1"	Black (Gloss)	12
7129	Torsion Spring Hook Access Tool	N/A	N/A	1
7130	Torsion Spring Suction Access Tool	N/A	N/A	1

◆ When specifying or ordering, include the appropriate color code with the item number (e.g. 7131 W H A)

* Coordinates with WHA, SIA, MYA Torsion Spring Panel finish

SUSPENSION SYSTEMS

	Item No.	Description	Dimensions (Inches)
15/16" Prelude® XL® Suspension System Some items slotted for Torsion Spring.	7301TS	Prelude XL 12' HD Main Beam – slotted for Torsion Spring	144 x 15/16 x 1-11/16"
	XL7341TS	Prelude XL 4' Cross Tee – slotted for Torsion Spring	48 x 15/16 x 1-11/16"
	XL7390TS	Prelude XL 6' Cross Tee – slotted for Torsion Spring	72 x 15/16 x 1-11/16"
	XL7378	Prelude XL 30" Cross Tee	30 x 15/16 x 1-3/8"
	XL8320	Prelude XL 2' Cross Tee	24 x 15/16 x 1-11/16"
	XL7341	Prelude XL 4' Cross Tee	48 x 15/16 x 1-11/16"

FAST
4 WEEKS
or Less

FAST134 program items ready to ship from manufacturer in 4 weeks or less.
Up-to-date lead times and product options (sizes and colors) at armstrongceilings.com/fast134.

Exterior Suspension System	7301G90ATS	Prelude XL 12' HD Exterior Main Beam – slotted for Torsion Spring	144 x 15/16 x 1-11/16"
15/16" Prelude XL Some items slotted for Torsion Spring.	XL7341G90ATS	Prelude XL 4' Exterior Cross Tee – slotted for Torsion Spring	48 x 15/16 x 1-11/16"
	XL7321G90A	Prelude XL 2' Exterior Cross Tee	24 x 15/16 x 1-11/16"

