

# METALWORKS™ Shapes for DESIGNFlex®

Tegular  
smooth texture



## DESIGNFlex® CEILING SYSTEMS

### PERSONALIZE YOUR DESIGN!

Mix and match different sizes, shapes, colors, and materials to reinvent your ceiling. More at: [armstrongceilings.com/designflex](http://armstrongceilings.com/designflex)



▲ MetalWorks™ Shapes for DESIGNFlex® with Suprafine® XM 9/16" suspension system

Now, MetalWorks™ Shapes in 45° and 60° triangles, parallelograms, and trapezoids.

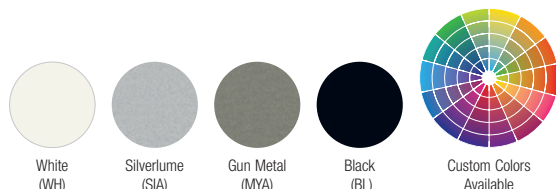
### KEY SELECTION ATTRIBUTES

- DESIGNFlex® options mean shapes, sizes, and colors
- Mix and match – Shapes also available with Calla®, Lyra®, Ultima®, Optima®, and WoodWorks® panels
- MetalWorks™ panels are part of the Sustain™ portfolio, and meet the most stringent sustainability compliance standards today
- Lighting and MEP integration with TechZone®, or with shaped lights and diffusers, available through one of our partner companies, or with standard modular and pendant lights
- Aluminum panels with exceptional durability – Washable, Scrubbable, Soil-resistant



CleanAssure™ family of products – includes disinfectable panels, suspension systems, and trim

**COLORS** Due to printing limitations, shade may vary from actual product.



Part of the Sustain™ portfolio, meeting sustainability compliance standards. (M1 – unperforated panels only)

**PERFORATION OPTIONS** (1:2 scale shown)



### DETAILS



1. MetalWorks™ Shapes for DESIGNFlex® Tegular in M1 unperforated

# METALWORKS™ Shapes for DESIGNFlex®

Tegular  
smooth texture



Declare.

LEED WELL™ LBC

UP TO 80% RECYCLED CONTENT

- energy management
- construction waste mgmt
- regional materials
- design for flexibility
- EPD

Calculate sustainability with GreenGenie™  
armstrongceilings.com/greengenie

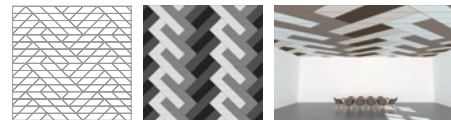
LOCATION DEPENDENT

- recyclable/producer resp.
- biobased materials
- recycled content
- sourcing of raw materials
- material ingredient reporting
- low emitting materials
- lighting quality
- acoustics

WITH INFILL PANEL

Start your design process with a visit to our online pattern gallery at: [armstrongceilings.com/patterngallery](http://armstrongceilings.com/patterngallery)

See dozens of pre-designed patterns and colors online in our pattern gallery. We've provided all of the details – from takeoffs showing 2' or 4' on-center spacing to panels, suspension, trims, and accessories. Installation instructions answer questions typically associated with unique ceiling installations. Lighting and air diffusers can also be easily integrated. If you can't find the ceiling pattern you envision for your next space online, call us and we'll help you create a design to personalize your space – 1 877 276-7876.

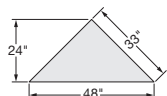


These 8 MetalWorks™ Shapes with Tegular edges are available for Suprafine® XM 9/16" suspension:

## 45° SHAPES

### Triangles

2' Main Beam Spacing **8284M1** \_\_\_ Triangle



Panel 5/16" thick

Item No. Description/Dimensions (Inches)

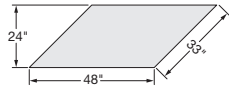
**8285M1** \_\_\_ Right Triangle



Panel 5/16" thick

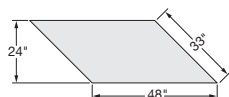
### Parallelograms

2' Main Beam Spacing **8287M1** \_\_\_ Right Parallelogram



Panel 5/16" thick

**8288M1** \_\_\_ Left Parallelogram



Panel 5/16" thick

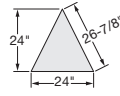
### Trapezoids

No Trapezoids available in 45° shapes

## 60° SHAPES

### Triangles

2' Main Beam Spacing **8290M1** \_\_\_ Triangle

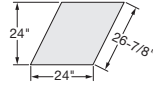


Panel 5/16" thick

Item No. Description/Dimensions (Inches)

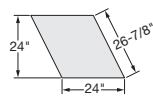
### Parallelograms

2' Main Beam Spacing **8292M1** \_\_\_ Right Parallelogram



Panel 5/16" thick

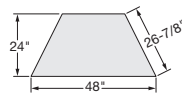
**8293M1** \_\_\_ Left Parallelogram



Panel 5/16" thick

### Trapezoids

2' Main Beam Spacing **8296M1** \_\_\_ Trapezoid



Panel 5/16" thick

◆ When specifying or ordering, include the appropriate perforation and color suffix with the item number (e.g. 8284M1 W H A).

## SUSPENSION SYSTEMS



Suspension system is available in coordinating colors

TechLine 877 276-7876  
[armstrongceilings.com/metalworksshapes](http://armstrongceilings.com/metalworksshapes)



DESIGNFlex® SHAPES

# METALWORKS™ Shapes for DESIGNFlex®

Tegular  
smooth texture



**LEED WELL LBC**

UP TO **80% RECYCLED CONTENT**

Calculate sustainability with GreenGenie™ [armstrongceilings.com/greengenie](http://armstrongceilings.com/greengenie)

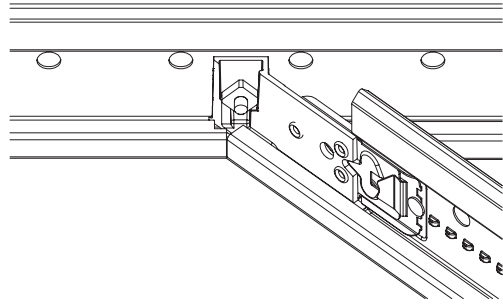
energy management	construction waste mgmt	regional materials	design for flexibility	EPD	recyclable/extended producer resp.	biobased materials	recycled content	sourcing of raw materials	material ingredient reporting	low emitting materials	lighting quality	acoustics

LOCATION DEPENDENT

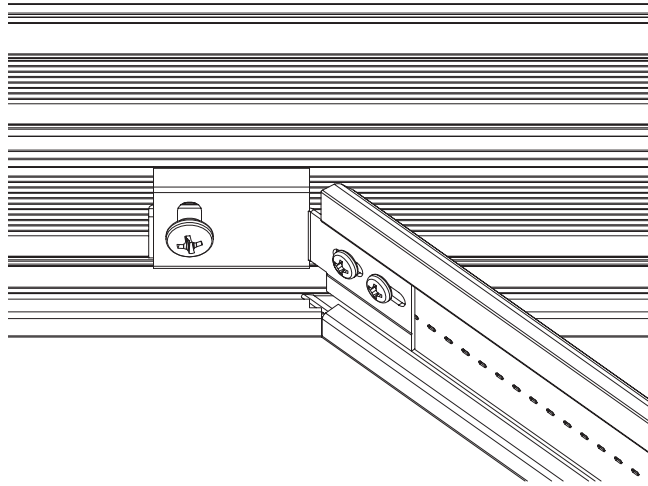
WITH INFILL PANEL

## DETAILS

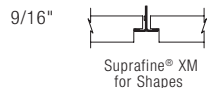
Tegular Panel installed with Angle Bracket connecting Suprafine® XM Cross Tee and Main Beam



Full-size Tegular Panel Axiom® Trim Perimeter Solution, using AXTBC Clip



## SUSPENSION SYSTEMS



Suspension system is available in coordinating colors

## PARTNER COMPANIES

For more information on our partner companies, please visit [armstrongceilings.com/partners](http://armstrongceilings.com/partners)

Compatible with:  
Axis Geometrix™ Lighting,  
JLC-Tech T-BAR FLEX LED  
Lights and Price diffusers.



Shaped infill panels are available through [asquote@armstrongceilings.com](mailto:asquote@armstrongceilings.com) for specific partner lighting fixtures.

## PHYSICAL DATA

### Material

Aluminum – thickness 0.040"

### Surface Finish

Factory-applied polyester paint finish

Custom colors also available. Contact TechLine for custom color matching requests at 1 877 276-7876.

### Fire Performance

Class A per ASTM 84. Flame Spread Index 25 or less. Smoke Developed Index 50 or less. CAN/ULC S102 Flame Spread 25 or less. Smoke Developed Index 50 or less.

### ASTM E1264 Classification

Fire Class – Class A  
Unperforated – Type XX, Pattern G  
Perforated – Type XX, Pattern C

### Installation Considerations

See installation instructions for bracket and perimeter solution guidelines.

### Design Considerations

MetalWorks™ Shapes for DESIGNFlex® installation system based on parallel main beam spacing.

WHA, SIA, and MYA will not match WH, SG, and MY used on other substrate products.

Silverlume (SIA) and Gun Metal (MYA) colors are directional and run parallel to base as shown on data page. This must be considered in ceiling layout plans for right triangle shape.

For optimum visual design, backlighting panels is not recommended.

For any color available contact: [asquote@armstrongceilings.com](mailto:asquote@armstrongceilings.com)

### Seismic Restraint

Suprafine® XM for DESIGNFlex® Shapes suspension system have been engineered, tested, and approved for use with DESIGNFlex® Shapes panels when installed per Armstrong Ceilings installation instructions.

### Cleaning and Disinfecting

Cleaning and CDC approved disinfecting options available on [armstrongceilings.com/cleaning](http://armstrongceilings.com/cleaning)

### Warranty

Details at [armstrongceilings.com/warranty](http://armstrongceilings.com/warranty)

### Weight/Panel (Bulk Packed)

8284M1 – 2.2 lbs/SF 8290M1 – 1.1 lbs/SF  
8285M1 – 1.1 lbs/SF 8292M1 – 2.2 lbs/SF  
8287M1 – 4.4 lbs/SF 8293M1 – 2.2 lbs/SF  
8288M1 – 4.4 lbs/SF 8296M1 – 3.3 lbs/SF

# DESIGNflex® Suspension Systems & Accessories

METALWORKS™ Shapes panels



**Declare.**

**LEED® WELL™ | LBC**

UP TO **80% RECYCLED CONTENT**

- energy management
- construction waste mgmt
- regional materials
- design for flexibility
- EPD
- recyclable/excise producer resp.
- biobased materials
- recycled content
- sourcing of raw materials
- material ingredient reporting
- low emitting materials
- lighting quality
- acoustics

LOCATION DEPENDENT

Calculate sustainability with GreenGenie™  
armstrongceilings.com/greengenie

WITH INFILL PANEL

## SUSPENSION SYSTEMS COMPONENTS & ACCESSORIES System utilizes Suprafine® XL® main beams

### 45° SHAPES

Item No.	Description
75AB45L	Suprafine® 45° Left Angle Bracket
75AB45R	Suprafine® 45° Right Angle Bracket
75AB45D	Suprafine® 45° Double Angle Bracket
75CB45	Suprafine® 45° Corner Bracket
XM754524	Suprafine® 45° Base Cross Tee – 24" Main Beam Spacing
XL7520	24" Suprafine® Cross Tee
XM7524	Suprafine® Perimeter Cross Tee – 24" Main Beam Spacing
PCC	Axiom® Perimeter Corner Clip
PAC	Perimeter Angle Clip
BERC2	2" Beam End Retaining Clip

### 60° SHAPES

Item No.	Description
75AB60L	Suprafine® 60° Left Angle Bracket
75AB60R	Suprafine® 60° Right Angle Bracket
75AB60D	Suprafine® 60° Double Angle Bracket
XM756024	Suprafine® 60° Base Cross Tee – 24" Main Beam Spacing
XM7524	Suprafine® Perimeter Cross Tee – 24" Main Beam Spacing
PCC	Axiom® Perimeter Corner Clip
PAC	Perimeter Angle Clip
BERC2	2" Beam End Retaining Clip

For additional suspension components, trims, and clips, please consult the full installation instructions at [www.armstrongceilings.com/shapesinstallation](http://www.armstrongceilings.com/shapesinstallation)



DESIGNflex® SHAPES – Accessories