

TECTUM® Blades and Baffles

Vertical Linear Panels – Custom
coarse texture



24/7
DEFEND™
Solutions for Healthier,
Safer Spaces

CONTAIN CLEAN PROTECT

CAD/Revit® drawings at:
armstrongceilings.com/cadrevit



▲ Tectum® Blades custom vertical panels

armstrongceilings.com/capabilities
See more photos at:
armstrongceilings.com/photogallery

Acoustical vertical panels help control reverberation and add a design element to your interior spaces.

KEY SELECTION ATTRIBUTES

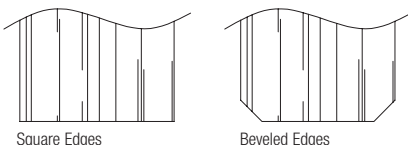
- new** • Tectum® panels are Living Product Imperative Certified by the International Living Future Institute – 1" panels in White and Natural only
- Tectum Blades and Baffles are available in 1", 1-1/2", and 2" thicknesses; widths from 23-3/4" to 48" and heights from 11-3/4" to 23-3/4"
- new** • CleanAssure™ family of products – includes disinfectable panels, suspension systems, and trim (standard colors only)
 - 18 to 14 gauge steel channel up to 9'0" long is available for 1", 1-1/2", and 2" blades to allow groupings of blades and/or channels that create linear visuals longer than 48"
- Mold- and mildew-resistant surface
- PVC insert is available on 1", 1-1/2", and 2" thick blades and baffles for attachment to aircraft cables or hanger wire
- USDA-Certified Biobased Product 98% (preferred for government projects)

COLORS Due to printing limitations, shade may vary from actual product.



* Tectum® Blades and Baffles are directional – face finish and back finish will exhibit a different appearance due to application of the binder during manufacturing. Factory-painted finishes may exhibit slight differences in finish face to back. 360 degree factory or field-painted finishes are recommended.

EDGE DETAILS



TechLine 877 276-7876
armstrongceilings.com/tectumbaffles



TECTUM® Blades and Baffles

Vertical Linear Panels – Custom coarse texture



Calculate sustainability with GreenGenie™
armstrongceilings.com/greengenie

VISUAL SELECTION

	Panel Thickness	Dimensions W x L x D (Inches)	Colors
TECTUM® Blades and Baffles	1"	11-3/4 x 48 x 1"	TNA, TWH, Custom
	1"	23-3/4 x 48 x 1"	TNA, TWH, Custom
	1-1/2"	11-3/4 x 48 x 1-1/2"	TNA, TWH, Custom
	1-1/2"	23-3/4 x 48 x 1-1/2"	TNA, TWH, Custom
	2"	11-3/4 x 48 x 2"	TNA, TWH, Custom
	2"	23-3/4 x 48 x 2"	TNA, TWH, Custom

TNA = Natural (unpainted), TWH = White
For special sizes, and colors, call TechLine at 1 877 276-7876.

PERFORMANCE SELECTION

Fire Rating	Light Reflect	Anti-Mold/Mildew	Humi-Guard+ Sag Resist	Certified Low VOC Emissions	CleanAssure™ Disinfectable Panels	DURABILITY			30-Yr Warranty
						Fog	Impact	Scratch	
Class A	Up to 0.75	•	•	•	•	•	•	•	•
Class A	Up to 0.75	•	•	•	•	•	•	•	•
Class A	Up to 0.75	•	•	•	•	•	•	•	•
Class A	Up to 0.75	•	•	•	•	•	•	•	•
Class A	Up to 0.75	•	•	•	•	•	•	•	•
Class A	Up to 0.75	•	•	•	•	•	•	•	•

Dots represent high level of performance.

ACOUSTICAL INFORMATION

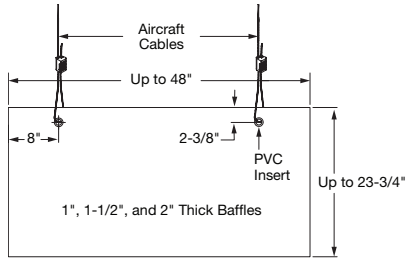
Panel Thickness	Sound Absorption (Sabins/SF)
1"	0.40
1-1/2"	0.50
2"	0.60



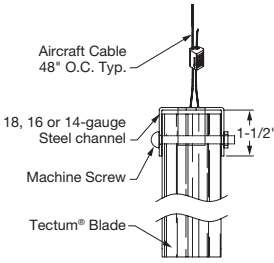
Tectum® Blades and Baffles custom panels installed with custom steel mounting channel

DETAILS

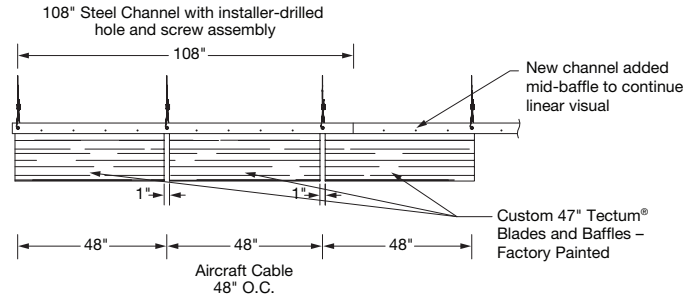
Tectum® Blades and Baffles with PVC Insert



Tectum® Blades and Baffles with Steel Channel



Installed Tectum® Blades and Baffles with Steel Channel



PHYSICAL DATA

Material
FSC® Certified
Cementitious Wood Fiber; FSC® certified. For more information about FSC® certified fire-retardant products, or to view our FSC® certification letter, contact TechLine at 1 877 276-7876.

Surface Finish
Factory-applied latex paint with Silicate surface coating for abuse resistance. Natural is unpainted.

Fire Performance
Class A per IBC. Flame Spread Index 25 or less and Smoke Developed Index 50 or less when tested in accordance with ASTM E84.

CAN/ULC S102 surface burning characteristics. Flame Spread Index of 25 or less and Smoke Developed Index of 50 or less.

VOC Emissions
GREENGUARD Gold Certified
Third-party certified compliant with California Department of Public Health CDPH/EHLB/Standard Method Version 1.2, 2017. This standard is the guideline for low emissions in LEED®, WELL Building Standard™, Living Building Challenge® (LBC), CalGreen Title 24, ANSI/ASHRAE/USGBC/IES Standard 189; ANSI/GBI Green Building Assessment Protocol.

Humidity/Sag Resistance
HumiGuard® Plus performance panels are recommended for areas subject to high humidity, up to, but not including, standing water and outdoor applications.

Anti-Mold/Mildew
Ceiling tiles with BioBlock® performance resist the growth of mold and mildew on the tile surface.

Installation Considerations
Use caution and wear appropriate hand, eye, and dust mask protection when cutting and installing Tectum® panels. All hanging components must be ordered separately.

Primary (Embodied) Energy
See all LCA information on our EPDs.



Application Considerations
Color variation among panels is common due to the natural characteristics of the wood on White and Natural panels. Wood fibers may appear orange on Natural colored panels due to the characteristics of the wood.

Design Considerations
Tectum® Blades and Baffles are directional – face finish and back finish will exhibit a different appearance due to application of the binder during manufacturing. Factory painted finishes may exhibit slight differences in finish face to back. 360 degree factory or field painted finishes are recommended.

Design Support
Project management assistance is available by calling TechLine at 1 877 276-7876.

Cleaning and Disinfecting
Cleaning and CDC approved disinfecting options available on armstrongceilings.com/cleaning

Warranty
30-Year Warranty. Details at armstrongceilings.com/warranty

Weight
1" – 1.65 lbs/SF
1-1/2" – 2.53 lbs/SF
2" – 3.33 lbs/SF