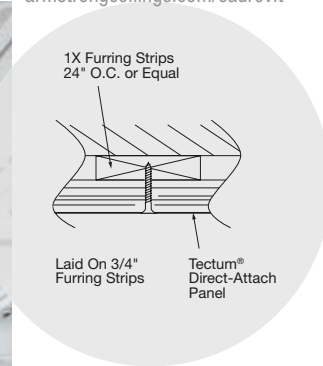


TECTUM®
Direct Attach
Acoustical Ceiling Panels
coarse texture



CAD/Revit® drawings at:
armstrongceilings.com/cadrevit



▲ Tectum® Direct-Attach ceiling panels in White

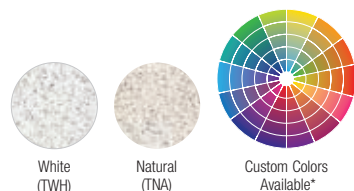
armstrongceilings.com/capabilities
See more photos at:
armstrongceilings.com/photogallery

Tectum® Direct-Attach ceiling panels provide durable, sustainable, acoustical options for a wide variety of applications.

KEY SELECTION ATTRIBUTES

- new** • Tectum® Direct-Attach now has UL® Certified acoustics with acoustical testing and reporting that align with industry-wide best practices
- new** • Now you can install 1"-thick Tectum® on Trusses and I-Beams for added acoustics while maintaining an exposed structure visual on the deck
- new** • Tectum panels are Living Product Imperative Certified by the International Living Future Institute – 1" panels in White and Natural only
- Tectum panels are part of the Sustain® portfolio and meet the most stringent sustainability compliance standards today – 1" panels in White and Natural only
- Now, long edges beveled, short edges beveled available as a standard option
- Great retrofit solution for noise reduction
- Excellent sound absorption – NRC up to 0.85 (1" panel, C-40 Mounting)
- Can be field painted up to 6 times without impacting acoustic or fire performance
- Variety of made-to-order color options available
- Can be mechanically fastened to a wide variety of surfaces including masonry, drywall, drywall grid system, wood, trusses, I-Beams, and more
- USDA Biobased content: 98%

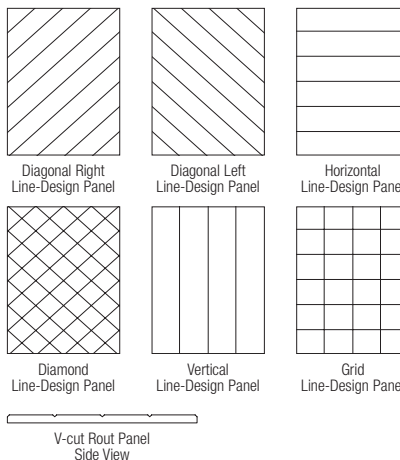
COLORS Due to printing limitations, shade may vary from actual product.



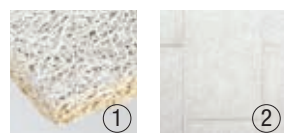
* Colors that are pre-qualified to meet Sustain® portfolio requirements are available upon request. Other made-to-order colors must be evaluated if sustainability criteria is required. Lead time will increase.

LINE DESIGN CAPABILITIES

Max panel size for line designs is 2' x 4'. Custom line designs available. Contact Architectural Specialties for more information.



DETAILS



1. Tectum® Direct-Attach panel in White
 2. Tectum® Direct-Attach panel in White
- Note: Standard panel edges are unfinished. Painted panel edges available through special order. Custom color panel edges are fully painted.

TECTUM®
Direct Attach
Acoustical Ceiling Panels
coarse texture



**USDA
CERTIFIED
BIOBASED
PRODUCT**
PRODUCT 98%



SUSTAIN®
High Performance
Sustainable Ceiling Systems
Declare.

**LEED®
WELL™ LBC**

- energy management
- construction waste mgmt
- regional materials
- design for flexibility
- EPD
- recyclable/extended producer resp.
- biobased materials
- FSC® (for wood)
- recycled content
- sourcing of raw materials
- material ingredient reporting
- low emitting materials
- lighting quality
- acoustics

For LEED contribution visit
armstrongceilings.com/greenie

LOCATION DEPENDENT

VISUAL SELECTION

	Item No. ◆	Dimensions Nominal W x L x H (Inches)	
TECTUM® Direct-Attach Ceiling Panels (FSC® Certified)	8182T10 ___	23-3/4 x 48 x 1"	<input type="checkbox"/>
Long Edges Beveled/ Short Edges Square	8181T10 ___	23-3/4 x 96 x 1"	<input type="checkbox"/>
	8180T10 ___	47-3/4 x 96 x 1"	<input type="checkbox"/>
Long Edges Beveled/ Short Edges Beveled*	8175T10 ___	23-3/4 x 48 x 1"	<input type="checkbox"/>
	8174T10 ___	23-3/4 x 96 x 1"	<input type="checkbox"/>
	8173T10 ___	47-3/4 x 96 x 1"	<input type="checkbox"/>
Other Size Panels		W 23-3/4" – 48" L: 12" – 144" 1", 1-1/2", or 2" thickness	

FAST
1 WEEK
order to ship

1-week availability on all items in standard colors. Order to ship.

Details at armstrongceilings.com/directtostructure

◆ When specifying or ordering, include the appropriate 3-digit color suffix TNA = Natural TWH = White (e.g. 8182T10 I W H)
* NOTE: Four-sided beveled edge panels are recommended in adjoining panel installations.

PERFORMANCE

Dots represent high level of performance.

Fire Rating	Light Reflect	Anti-Mold/Mildew	Sag Resist	Humi-Guard+ Certified Low VOC Emissions	DURABILITY		30-Yr Warranty
					Impact	Scratch	
Class A	Up to 0.75	•	•	•	•	•	•
Class A	Up to 0.75	•	•	•	•	•	•
Class A	Up to 0.75	•	•	•	•	•	•
Class A	Up to 0.75	•	•	•	•	•	•
Class A	Up to 0.75	•	•	•	•	•	•
Class A	Up to 0.75	•	•	•	•	•	•
Class A	Up to 0.75	N/A	N/A	N/A	•	•	•

ACOUSTICAL INFORMATION

Panel Thickness	UL Classified Acoustics NRC	Mounting Method
1"	0.40	A
	0.45	D-20
	0.80	C-20
	0.85	C-40
	•	•
1-1/2"	0.55	A
	0.60	D-20
	0.90	C-20
	0.95	C-40
	•	•
2"	0.60	A
	0.70	D-20
	0.95	C-20
	•	•
	1.00	C-40

ACCESSORIES

Item No. ◆	Description	Quantity
1222	Truss Fastening Kit – Field Paintable	20/ctn
1222WH	Truss Fastening Kit White	20/ctn
1222BL	Truss Fastening Kit Black	20/ctn

Item No. ◆	Description	Quantity
8187L16 ___	#6 x 1-5/8" Painted Head – Sharp point Screws	1000/ctn
8188L16 ___	#6 x 1-5/8" Painted Head – Drill point Screws	1000/ctn
8189L22 ___	2-1/4" Painted Head – CMU Screws	500/ctn

◆ When specifying or ordering, include the appropriate 3-digit color suffix. TNA = Natural; TWH = White (e.g. 8187L16 I W H) Consult installation instructions for fastener guidance.
NOTE: Projects may require alternative screw lengths and types depending on site conditions. Please consult installation instructions for guidance.

PHYSICAL DATA

Material
Cementitious Wood Fiber; FSC® certified. For more information about FSC® certified fire-retardant products, or to view our FSC® certification letter, contact TechLine at 1 877 276-7876.

Surface Finish
Factory-applied latex paint with Silicate surface coating for abuse resistance. Natural is unpainted.

Fire Performance
Class A. Flame Spread Index 25 or less and Smoke Developed Index 50 or less when tested in accordance with ASTM E84.

VOC Emissions
Third-party certified compliant with California Department of Public Health CDPH/EHLB/Standard Method Version 1.2, 2017. This standard is the guideline for low emissions in LEED®, WELL Building Standard™, Living Building Challenge® (LBC), CalGreen Title 24, ANSI/ASHRAE/USGBC/IES Standard 189; ANSI/GBI Green Building Assessment Protocol.

Humidity/Sag Resistance
HumiGuard® Plus performance panels are recommended for areas subject to high humidity, up to, but not including, standing water and outdoor applications.

Anti-Mold/Mildew
Ceiling tiles with BioBlock® performance resist the growth of mold and mildew on the tile surface.

Installation Considerations
Panels must be mechanically attached to approved substrate per installation instructions. To achieve proper finished visual panels should be installed in an ashlar pattern. Four-sided beveled edge panels are recommended in adjoining panel installations.

Primary (Embodied) Energy
See all LCA information on our EPDs.

Application Considerations
Color variation among panels is common due to the natural characteristics of the wood on White and Natural panels. Wood fibers may appear orange on Natural colored panels due to the characteristics of the wood.

Design Considerations
Max panel size for Truss and I-Beam application is 2' x 4' x 1".

Seismic Restraint
Tectum Direct-Attach panels are approved for application in all seismic areas when installed per the seismic guidelines in the Armstrong Ceilings Installation Instructions.

Warranty
30-Year Warranty. Details at armstrongceilings.com/warranty

Weight, Pcs and SF/Pallet
1" – 1.65 lbs/SF
1-1/2" – 2.53 lbs/SF
2" – 3.3 lbs/SF
8180T10 – 36 pcs/pallet; 1,152 SF/pallet
8181T10 – 72 pcs/pallet; 1,152 SF/pallet
8182T10 – 72 pcs/pallet; 572 SF/pallet
8173T10 – 36 pcs/pallet; 1,152 SF/pallet
8174T10 – 72 pcs/pallet; 1,152 SF/pallet
8175T10 – 72 pcs/pallet; 572 SF/pallet

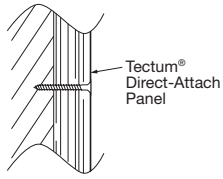


TECTUM® Direct Attach

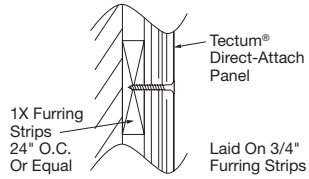
Acoustical Ceiling Panels
coarse texture

ACOUSTICAL MOUNTING METHODS

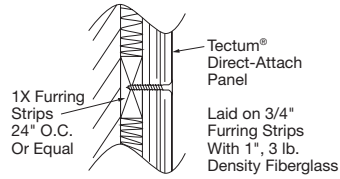
Mounting A



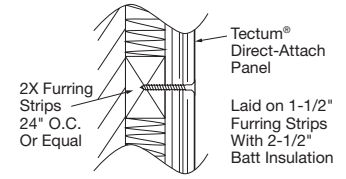
Mounting D-20



Mounting C-20

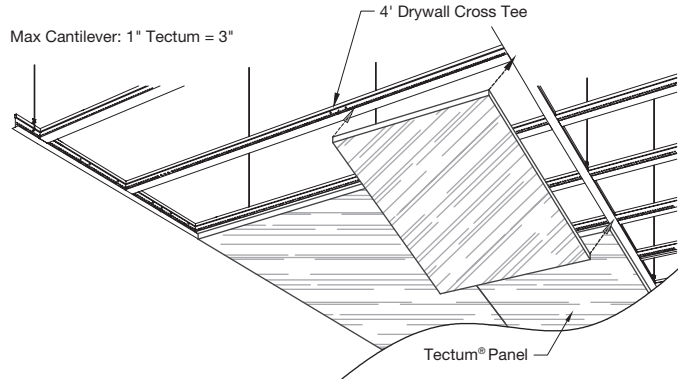
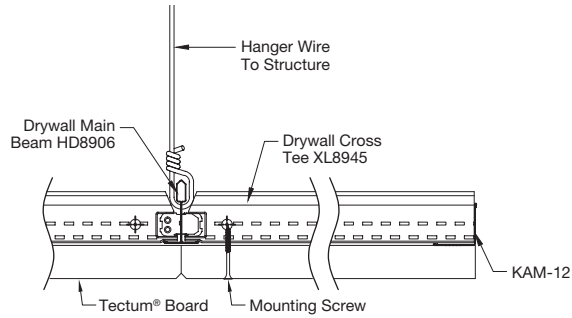


Mounting C-40



DRYWALL GRID SYSTEM MOUNTING METHOD

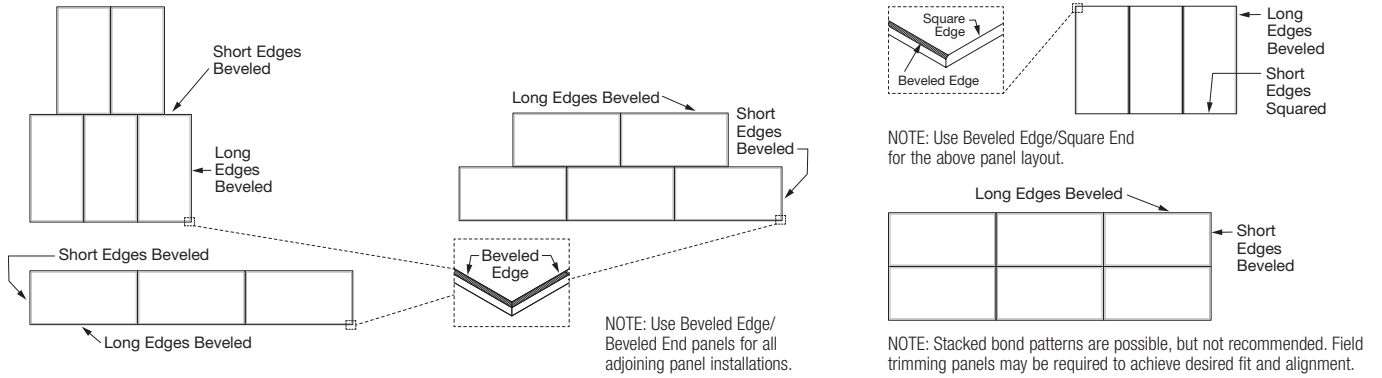
Direct-Attach



TECTUM® Direct Attach

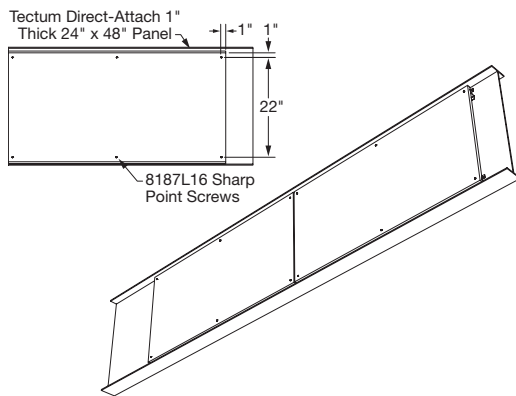
Acoustical Ceiling Panels
coarse texture

EDGE DETAIL

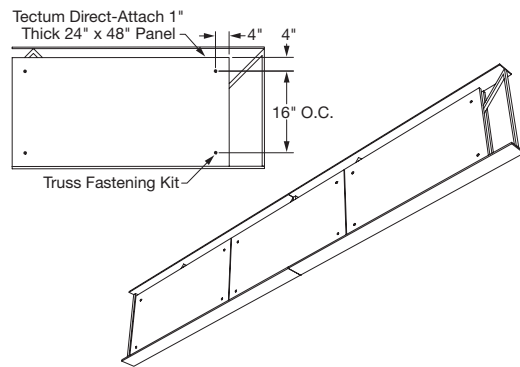


I-BEAM AND TRUSS INSTALLATION

I-Beam Installation



Truss Installation



Max Truss Width

