

AXIOM® Classic

Trim
straight and curved



This extruded aluminum perimeter trim is a solution for use as exposed custom decorative trim with suspended panels or drywall.

KEY SELECTION ATTRIBUTES

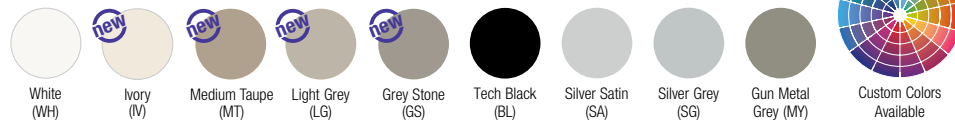
- Adjustable Trim Clip (7239) makes Axiom® Classic Trim compatible with WoodWorks® and MetalWorks™ panels that drop greater than 3/8" below the grid flange
- Crisp-edge detailing and excellent corrosion resistance compared to steel systems
- Axiom® trim is part of the Sustain™ portfolio and meets the most stringent sustainability compliance standards today – White and 13 Sustain™ colors only (colors found on Pg. 481)
- Eight profile heights
- Compatible with Armstrong® Suspension Systems and Drywall Grid Systems
- Finely articulated drywall trim with beaded edge integrates with all trim profiles for pre-engineered drywall transitions
- Colors coordinate with Armstrong® ceiling and suspension systems
- Design flexibility for straight and curved applications
- 10-Year Limited warranty, 30-year system warranty



Custom slotting, perforating, and cutouts available for this Axiom® product.

COLORS Due to printing limitations, shade may vary from actual product.

Standard



NOTE: 360° paint finishes and custom colors available as special order

BLIZZARD WHITE FINISH



NOTE: Blizzard White finish available on select Axiom® Classic, Knife Edge®, and Vector® trim profiles

ARCHITECTURAL FILM FINISHES (white or black background)



WOOD LOOKS FINISHES

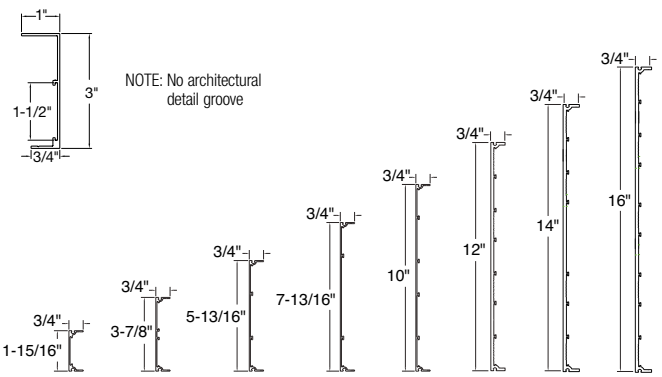


Coordinates with Effects™ Wood Looks finishes for MetalWorks™ Tegular, Vector®, and Linear ceilings. For trim solutions for WoodWorks® products, please see WoodWorks Trim and Accessories data sheet BPCS-5622. Effects™ Wood Looks finishes could vary based on substrate.

VISUAL SELECTION

Item No. ♦	Description	Dimensions
AXIOM® Classic Trim (Available Straight or Curved)		
AX16STR* ___	16" Straight	120 x 3/4 x 16"
AX16CUR* ___	16" Curved	Vary x 3/4 x 16"
AX14STR* ___	14" Straight	120 x 3/4 x 14"
AX14CUR* ___	14" Curved	Vary x 3/4 x 14"
AX12STR ___	12" Straight	120 x 3/4 x 12"
AX12CUR* ___	12" Curved	Vary x 3/4 x 12"
AX10STR ___	10" Straight	120 x 3/4 x 10"
AX10CUR* ___	10" Curved	Vary x 3/4 x 10"
AX8STR ___	8" Straight	120 x 3/4 x 8"
AX8CUR* ___	8" Curved	Vary x 3/4 x 8"
AX6STR ___	6" Straight	120 x 3/4 x 6"
AX6CUR* ___	6" Curved	Vary x 3/4 x 6"
AX4STR ___	4" Straight	120 x 3/4 x 4"
AX4CUR* ___	4" Curved	Vary x 3/4 x 4"
AX3STR ___	3" Straight	120 x 3/4 x 3"
AX3CUR* ___	3" Curved	120 x 3/4 x 3"
AX2STR ___	2" Straight	120 x 3/4 x 2"
AX2CUR* ___	2" Curved	Vary x 3/4 x 2"

Trim Channel: Aluminum extrusions formed with distinct architectural detail groove on top and bottom flanges and special bosses to receive the T-Bar Connection Clip, Hanging Clip, and Splice Plate, to provide positive mechanical lock with no visible fasteners. Factory-finished to match approved samples. Factory or field-cut, mitered, and curved to match approved shop drawings.



* Not available in architectural film finishes.

♦ Add the 2-digit color suffix to the item number when specifying or ordering (Example: AX2STR H Δ), add an extra digit "3" before the color suffix if paint is required inside and outside of trim (Example: AX2STR 3 H Δ).



AXIOM® Classic

Trim
straight and curved

Declare.

SUSTAIN
High Performance
Sustainable
Ceiling Systems

50% RECYCLED CONTENT

Calculate LEED contribution at
armstrongceilings.com/greengenie

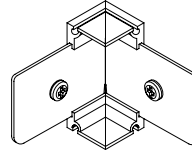
LEED®	energy management	construction waste mgmt	regional materials	design for flexibility	EPD	recyclable/extended producer resp.	biobased materials	recycled content	sourcing of raw materials	material ingredient reporting	low emitting materials	lighting quality	acoustics
-------	-------------------	-------------------------	--------------------	------------------------	-----	------------------------------------	--------------------	------------------	---------------------------	-------------------------------	------------------------	------------------	-----------

LOCATION DEPENDENT

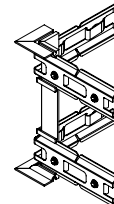
VISUAL SELECTION

Item No. ♦	Description	Dimensions
AXIOM® Classic Corner Posts*		
AX12OSCP_ _	12" Outside Corner Post	7/8 x 7/8 x 12"
AX12ISCP_ _	12" Inside Corner Post	3/4 x 3/4 x 12"
AX10OSCP_ _	10" Outside Corner Post	7/8 x 7/8 x 10"
AX10ISCP_ _	10" Inside Corner Post	3/4 x 3/4 x 10"
AX8OSCP_ _	8" Outside Corner Post	7/8 x 7/8 x 8"
AX8ISCP_ _	8" Inside Corner Post	3/4 x 3/4 x 8"
AX6OSCP_ _	6" Outside Corner Post	7/8 x 7/8 x 6"
AX6ISCP_ _	6" Inside Corner Post	3/4 x 3/4 x 6"
AX4OSCP_ _	4" Outside Corner Post	7/8 x 7/8 x 4"
AX4ISCP_ _	4" Inside Corner Post	3/4 x 3/4 x 4"
AX2OSCP_ _	2" Outside Corner Post	7/8 x 7/8 x 2"
AX2ISCP_ _	2" Inside Corner Post	3/4 x 3/4 x 2"

Axiom corner posts eliminate miter cuts at corners for a fast and easy installation.



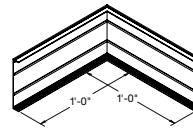
Axiom Outside Corner Post



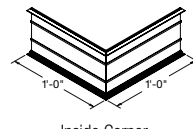
Axiom Inside Corner Post

Item No. ♦	Description	Dimensions
AXIOM® Classic Pre-mitered Corners		
AX16QSOS* _ _ _	16" Outside Corner	12 x 3/4 x 16"
AX16QISIS* _ _ _	16" Inside Corner	12 x 3/4 x 16"
AX14QSOS* _ _ _	14" Outside Corner	12 x 3/4 x 14"
AX14QISIS* _ _ _	14" Inside Corner	12 x 3/4 x 14"
AX12QSOS_ _ _	12" Outside Corner	12 x 3/4 x 12"
AX12QISIS_ _ _	12" Inside Corner	12 x 3/4 x 12"
AX10QSOS_ _ _	10" Outside Corner	12 x 3/4 x 10"
AX10QISIS_ _ _	10" Inside Corner	12 x 3/4 x 10"
AX8QSOS_ _ _	8" Outside Corner	12 x 3/4 x 8"
AX8QISIS_ _ _	8" Inside Corner	12 x 3/4 x 8"
AX6QSOS_ _ _	6" Outside Corner	12 x 3/4 x 6"
AX6QISIS_ _ _	6" Inside Corner	12 x 3/4 x 6"
AX4QSOS_ _ _	4" Outside Corner	12 x 3/4 x 4"
AX4QISIS_ _ _	4" Inside Corner	12 x 3/4 x 4"
AX2QSOS_ _ _	2" Outside Corner	12 x 3/4 x 2"
AX2QISIS* _ _ _	2" Inside Corner	12 x 3/4 x 2"

Axiom factory-mitered inside and outside corner pieces are created to match your Axiom Trim channel order. These corners come as 2" – 12" long pieces that are assembled in the field for a clean mitered corner intersection.



Outside Corner



Inside Corner

MINIMUM BEND RADIUS FOR AXIOM-CLASSIC

2", 4", 6", 8" – 24" Minimum
12" – 36" Minimum
14" – 60" Minimum

AXIOM FACTORY MITER LIMIT

2", 4", 6", 8" – Minimum 30° acute angle (15° per cut)
10", 12", 14", 16" – Minimum 60° acute angle (30° per cut)

* Not available in architectural film finishes
♦ Add the 2- or 3-digit color suffix to the item number when specifying or ordering (Example: AX2QISIS H A).
add an extra digit "3" before the color suffix if paint is required inside and outside of trim (Example: AX2QISIS 3 H A).

ACCESSORIES

Item No.	Description	
AXAC	Alignment Clip Sheet aluminum formed to fit into special trim channel bosses. Provides positive mechanical lock and screw-fastened connection to suspension members that intersect below the trim channel.	
AX2HGC	Hanging Clip Sheet aluminum formed to fit into special trim channel bosses. Provides positive mechanical lock and screw-fastened connection to suspension members that intersect below the trim channel.	
AXTBC	T-Bar Connection Clip Galvanized sheet steel formed to fit into special trim channel bosses. Provides positive mechanical lock with factory-installed screw, screw-fastened connection to suspension members that intersect the trim channel.	
7239	Adjustable Trim Clip Allows Axiom trim to be positioned up to 3-3/4" below the grid face to accommodate deeper panel offsets (best aesthetic with Axiom ≥ 6" tall)	
AXSPLICE2	Axiom Splice Plate Steel plate with a secure top lock feature formed to fit into the trim channel bosses. Secure with screw gun or wrench. Provides positive lock between abutting channels with factor installed screws.	