

AXIOM® for INTERLUDE®

Trim
straight

DeclareSM
Living Building
Challenge Compliant

SUSTAIN™
High Performance
Sustainable
Ceiling Systems



50% RECYCLED CONTENT

LEED	energy management	ALUMINUM	construction waste mgmt	regional materials	design for flexibility	EPD	recyclable/extended producer resp.	biobased materials	recycled content	sourcing of raw materials	material ingredient reporting	low emitting materials	lighting quality	acoustics
------	-------------------	----------	-------------------------	--------------------	------------------------	-----	------------------------------------	--------------------	------------------	---------------------------	-------------------------------	------------------------	------------------	-----------

Calculate LEED contribution at armstrongceilings.com/greengene

LOCATION DEPENDENT



This pre-engineered trim allows the continuation of the Interlude® XL® HRC suspension system visual to the perimeter of the ceiling.

KEY SELECTION ATTRIBUTES

- Used exclusively with Interlude® XL® HRC suspension system (see Pgs. 452-453)
- Axiom® trim is part of the Sustain™ portfolio and meets the most stringent sustainability compliance standards today – White and 13 Sustain colors only (colors found on Pg. 481)
- Available in our most popular profile sizes (2", 4", and 6")
- New Interlude expansion sleeve (IES3) allows the unique Interlude visual to be extended to the perimeter
- Extruded aluminum trim provides more crisp edge detailing compared to conventional roll-formed steel systems
- Colors coordinate with Armstrong® ceiling and suspension systems; custom colors available

- Standard 90° factory-mitered outside and inside corners
- Recommended for use with full-size ceiling panels

COLORS

Standard



White
(WH)



Custom Colors
Available

NOTE: 360° paint finishes and custom colors available as special order.

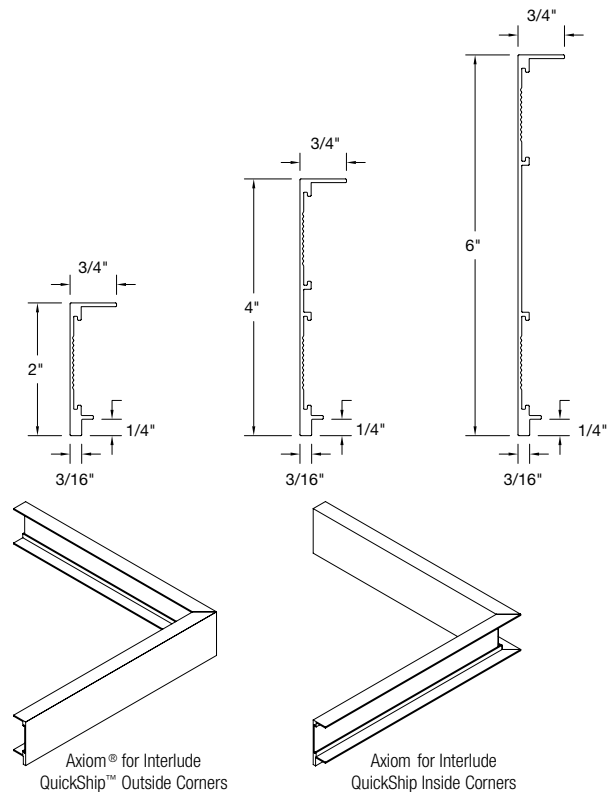
VISUAL SELECTION

Item No. ♦	Description	Dimensions
AXIOM® Trim for INTERLUDE® Suspension System		
AXLD2STR _ _ _	Axiom for Interlude 2", Straight	120 x 3/16 x 2"
AXLD4STR _ _ _	Axiom for Interlude 4", Straight	120 x 3/16 x 4"
AXLD6STR _ _ _	Axiom for Interlude 6", Straight	120 x 3/16 x 6"
AXIOM Trim for INTERLUDE Pre-mitered Corners		
AXLD2QSOS _ _ _	Axiom for Interlude 2", Outside Corner	12 x 3/16 x 2"
AXLD2QISIS _ _ _	Axiom for Interlude 2", Inside Corner	12 x 3/16 x 2"
AXLD4QSOS _ _ _	Axiom for Interlude 4", Outside Corner	12 x 3/16 x 4"
AXLD4QISIS _ _ _	Axiom for Interlude 4", Inside Corner	12 x 3/16 x 4"
AXLD6QSOS _ _ _	Axiom for Interlude 6", Outside Corner	12 x 3/16 x 6"
AXLD6QISIS _ _ _	Axiom for Interlude 6", Inside Corner	12 x 3/16 x 6"
Accessories		
AXSPLICE2	Axiom Splice Plate 2	—
AXCCLT	T-Bar Connector Twist Clip	—
IES3	Interlude Expansion Sleeve	—

♦ Add the 2-digit color suffix to the item number when specifying or ordering (Example: AXLD6STR W H), add an extra digit "3" before the color suffix if paint is required inside and outside of trim (Example: AXLD6STR 3 W H).

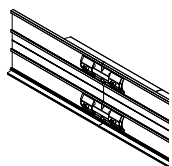
NOTE: Clips and splice plates are unpainted. Touch-up paint available upon request for clips and splice plates used with standard colors.

DETAILS

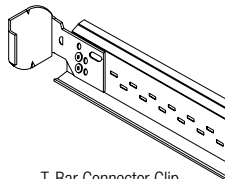


TRIM & TRANSITIONS

ACCESSORIES



Splice Plate
(AXSPLICE2)



T-Bar Connector Clip
(AXCCLT)