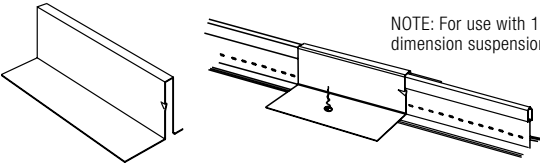
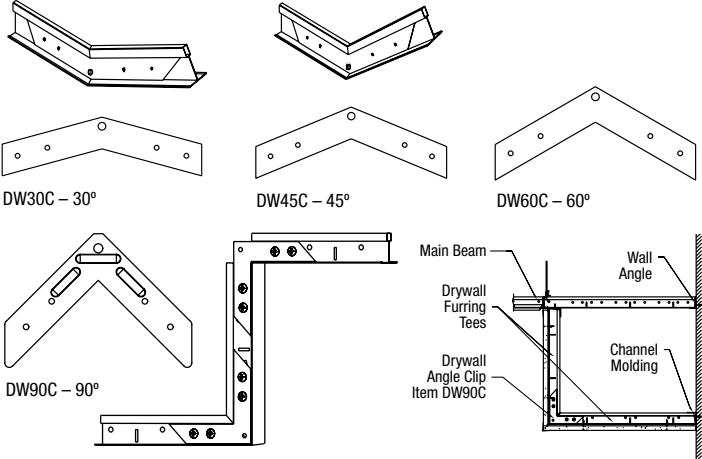
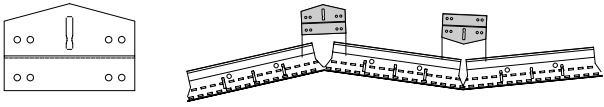

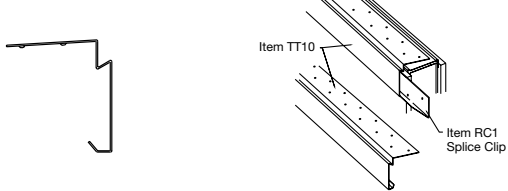
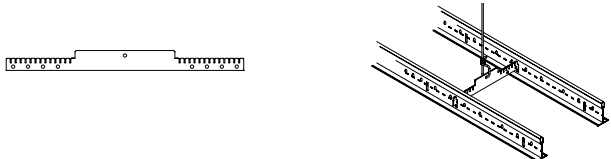
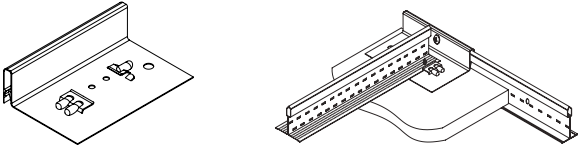


# DRYWALL Grid Systems

## Clips and Accessories

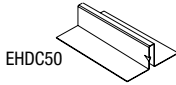
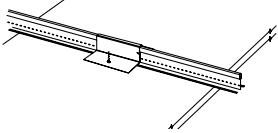
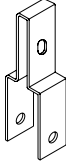
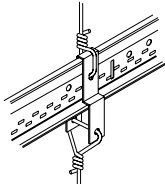
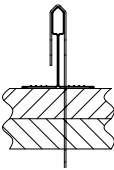
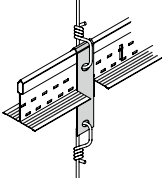
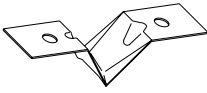
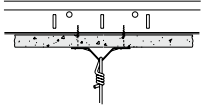
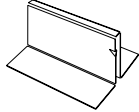
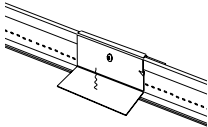
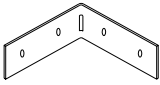
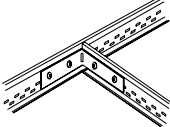
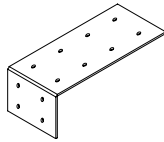
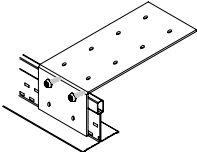

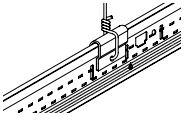

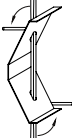
### VISUAL SELECTION

Item Number	Description	
<input type="checkbox"/> <b>DWACS</b> 100 pcs/bucket  <input type="checkbox"/> <b>FZDWACS</b> 50 pcs/bucket	DWACS – Drywall Attachment Clip – Facilitates transition from drywall to acoustical ceiling; locks under bulb of grid section to prevent upward movement and provide secure attachment surface on one side of exposed grid	 <p>NOTE: For use with 15/16" face dimension suspension system.</p>
<input type="checkbox"/> <b>DW30CAG</b> – 30° <input type="checkbox"/> <b>DW45CAG</b> – 45° <input type="checkbox"/> <b>DW60CAG</b> – 60° <input type="checkbox"/> <b>DW90CAG</b> – 90° 250 pcs/bucket	Drywall Angle Clip – Used to create positive and secure angles for drywall and ceiling installations on either main beams or cross tees; attachment to be made with 7/16" pan head screw	 <p>DW30C – 30°      DW45C – 45°      DW60C – 60°</p> <p>DW90C – 90°</p> <p>Main Beam Drywall Furring Tees Drywall Angle Clip Item DW90C Wall Angle Channel Molding</p>
<input type="checkbox"/> <b>FZDW30CAG</b> – 30° <input type="checkbox"/> <b>FZDW45CAG</b> – 45° <input type="checkbox"/> <b>FZDW60CAG</b> – 60° <input type="checkbox"/> <b>FZDW90CAG</b> – 90° 50 pcs/bucket		
<input type="checkbox"/> <b>RC2AG</b> 250 pcs/bucket  <input type="checkbox"/> <b>FZRC2AG</b> 50 pcs/bucket	RC2 – Radius Clip is used for drywall applications which form curved installations; attaches to the cavity side of web of the main beam with four 7/16" pan head screws. Install at all knockout locations.	
<input type="checkbox"/> <b>RC1</b> 200 pcs/bucket  <input type="checkbox"/> <b>FZRC1</b> 50 pcs/bucket	RC1 – Splice Clip is used as a main beam splice or partition top trim splice	
<input type="checkbox"/> <b>TT10</b> 30 pcs/bucket	TT10 – 10' Partition Top Trim – Used to finish off the top of a drywall partition for a continuous drywall/acoustic ceiling interface	 <p>Item TT10 Item RC1 Splice Clip</p>
<input type="checkbox"/> <b>GSC9</b> (1" to 4") <input type="checkbox"/> <b>GSC12</b> (4" to 8") <input type="checkbox"/> <b>GSC16</b> (8" to 14") 100 pcs/bucket	Adjustable Grid Spacer Clip – Used to space two parallel main beams for light fixtures, air diffusers, etc.; allows for 1/4" adjustments with three different clips	
<input type="checkbox"/> <b>FZGSC9</b> (1" to 4") <input type="checkbox"/> <b>FZGSC12</b> (4" to 8") <input type="checkbox"/> <b>FZGSC16</b> (8" to 14") 50 pcs/bucket		
<b>Locking</b> <input type="checkbox"/> <b>DW58LTAG</b> – 5/8" Gypsum <input type="checkbox"/> <b>DW50LT</b> – 1/2" Gypsum 125 pcs/bucket  <input type="checkbox"/> <b>FZDW58LTAG</b> – 5/8" Gypsum <input type="checkbox"/> <b>FZDW50LT</b> – 1/2" Gypsum 50 pcs/bucket	Drywall Transition Clip with Locking Tabs – Facilitates transition from drywall to acoustical ceiling; one-sided hold down clip; eliminates need for drywall bead. Locking tabs provide secure location for DGS cross tees.	

# DRYWALL Grid Systems

## Clips and Accessories

### VISUAL SELECTION

Item Number	Description		
<input type="checkbox"/> <b>EHDC50</b> (for 1/2" ceiling panels and drywall) <input type="checkbox"/> <b>FZEHDC58</b> (for 5/8" ceiling panels and drywall) <input type="checkbox"/> <b>EHDC75</b> (for 3/4" ceiling panels and drywall) 125 pcs/bucket  <input type="checkbox"/> <b>FZEHDC50</b> (for 1/2" ceiling panels and drywall) <input type="checkbox"/> <b>FZEHDC58</b> (for 5/8" ceiling panels and drywall) <input type="checkbox"/> <b>FZEHDC75</b> (for 3/4" ceiling panels and drywall) 50 pcs/bucket	External Hold Down Clip – Locks under bulb of grid section to prevent upward movement and provide secure attachment surface. Keeps acoustical and drywall ceiling components in place during wind uplift and in high security areas.		
<input type="checkbox"/> <b>DLCCAG</b> 250 pcs/bucket  <input type="checkbox"/> <b>FZDLCCAG</b> 50 pcs/bucket	DLCC – Direct Load Ceiling Clip is used to hang suspension system below existing 15/16" grid face, transferring weight directly to hanger wire; may be used to preserve the fire rating of an existing ceiling and to support heavy accessories		
<input type="checkbox"/> <b>DDC</b> 250 pcs/bucket  <input type="checkbox"/> <b>FZDDC</b> 50 pcs/bucket	DDC – Double Drywall Clip is used to hang suspension system below existing 1-1/2" grid face, transferring weight directly to hanger wire; may be used to preserve the fire rating of an existing ceiling and to support heavy accessories; allows for double layer of 5/8" gypsum board		
<input type="checkbox"/> <b>DWC</b> 250 pcs/bucket	DWC – Drywall Clip allows for a "second" ceiling to be installed below a drywall ceiling; attaches through installed drywall to supporting structure		
<input type="checkbox"/> <b>MBACAG</b> 70 pcs/bucket  <input type="checkbox"/> <b>FZMBAC</b> 50 pcs/bucket	MBAC – Main Beam Adapter Clip attaches to web of suspension system section; provides larger surface for screw attachments; used as a hold down clip for thin material (metal or plastic lay-in panels); fastens drywall track to underside of exposed suspension system with lay-in panels, leaving suspension system face free of screw holes		
<input type="checkbox"/> <b>XTAC</b> 100 pcs/bucket  <input type="checkbox"/> <b>FZXTAC</b> 50 pcs/bucket	XTAC – Cross Tee Adapter Clip is used to attach field cut cross tees to main beams		
<input type="checkbox"/> <b>QSUTC</b> 150 pcs/bucket  <input type="checkbox"/> <b>FZQSUTC</b> 50 pcs/bucket	QSUTC – QuikStix™ Uptight Clip saves time in tight plenum areas and is adjustable to uneven surfaces		
<input type="checkbox"/> <b>IIC</b> <input type="checkbox"/> <b>IIC2</b> 36 pcs/bucket	Impact Isolation Clips for use with HD8906IIC drywall grid main beam. Provides up to 8 points of IIC improvement to ensure your project meets IBC requirements.  IIC and IIC2 Clips must be used with HD8906IIC Drywall Grid Main Beam		
<input type="checkbox"/> <b>WS12</b> 1000 pcs/bucket  <input type="checkbox"/> <b>FZWS12</b> 50 pcs/bucket	Hanger Wire Splice – Splices two pieces of 12 gauge wire for extra long wire drops or renovation work		

The FastShip™ Clips and Accessories Program offers over 90 clip and accessory items that are available for overnight or ground delivery direct to the jobsite in full-size or 50 piece cartons.

