

new **SIMPLECURVE™ AND KAM**
Knurled Angle Molding



UP TO **61%** RECYCLED CONTENT

LEED®

- energy management
- construction waste mgmt
- regional materials
- design for flexibility
- EPD
- recyclable/extended producer resp.
- biobased materials
- recycled content
- sourcing of raw materials
- material ingredient reporting
- low emitting materials
- lighting quality
- acoustics

Calculate LEED contribution at armstrongceilings.com/greengenie

LOCATION DEPENDENT



KEY SELECTION ATTRIBUTES

- Hemmed edges are easier to handle than standard "shiny ninety" framing angle
- Easier to install – pre-punched holes on the top edge and ScrewStop™ reverse hem catch screws, preventing slip off
- Quick to open and chop saw to length
- Packaged 10 pcs/bundle

KAM

- Runs straight and true – 25 gauge KAM (meets ANSI C645 for framing)
- Available in popular 1-1/4", 1-1/2", and 2" sizes in the right gauges for your project

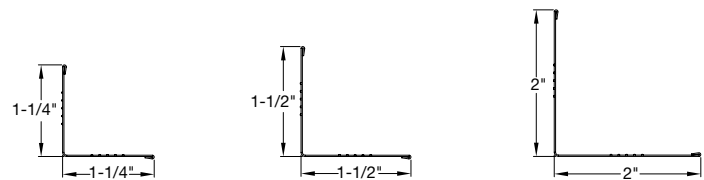
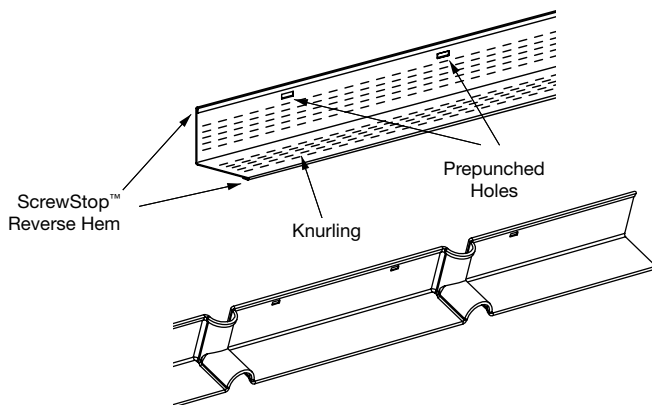
SimpleCurve™

- Available in 1-1/2" and 2" sizes in the right gauges for your project
- Bend to create curves as tight as 32" radius
- Overlap end-to-end for continuous curves without visible transitions

VISUAL SELECTION

Item Number	Face Flange	Description	Dimensions	Radius	Packaging Pcs.	Lin. Ft.
<input type="checkbox"/> KAM10	1-1/4"	10' Knurled Angle Molding – (.018" metal thickness)	120 x 1-1/4 x 1-1/4"	–	10	100
<input type="checkbox"/> KAM12	1-1/4"	12' Knurled Angle Molding – (.018" metal thickness)	144 x 1-1/4 x 1-1/4"	–	10	120
<input type="checkbox"/> KAM12G90	1-1/4"	12' Knurled Angle Molding – G90 galvanized steel coating (.018" metal thickness)	144 x 1-1/4 x 1-1/4"	–	10	120
<input type="checkbox"/> KAM12HRC	1-1/4"	12' Knurled Angle Molding – High Recycled Content (.018" metal thickness)	144 x 1-1/4 x 1-1/4"	–	10	120
<input type="checkbox"/> KAM1510	1-1/2"	10' Knurled Angle Molding – (.018" metal thickness)	120 x 1-1/2 x 1-1/2"	–	10	100
<input type="checkbox"/> KAM1512	1-1/2"	12' Knurled Angle Molding – (.018" metal thickness)	144 x 1-1/2 x 1-1/2"	–	10	120
<input type="checkbox"/> KAM151020E	1-1/2"	10' Knurled Angle Molding – (.028" metal thickness)	120 x 1-1/2 x 1-1/2"	–	10	100
<input type="checkbox"/> KAM151220E	1-1/2"	12' Knurled Angle Molding – (.028" metal thickness)	144 x 1-1/2 x 1-1/2"	–	10	120
<input type="checkbox"/> KAM151020	1-1/2"	10' Knurled Angle Molding – (.033" metal thickness)	120 x 1-1/2 x 1-1/2"	–	10	100
<input type="checkbox"/> KAM151020G90	1-1/2"	10' Knurled Angle Molding – G90 galvanized steel coating (.033" metal thickness)	120 x 1-1/2 x 1-1/2"	–	10	100
<input type="checkbox"/> KAM1520G90	1-1/2"	10' Knurled Angle Molding – G90 galvanized steel coating (.028" metal thickness)	120 x 1-1/2 x 1-1/2"	–	10	100
<input type="checkbox"/> KAM1525G90	1-1/2"	10' Knurled Angle Molding – G90 galvanized steel coating (.018" metal thickness)	120 x 1-1/2 x 1-1/2"	–	10	100
<input type="checkbox"/> KAM21025	2"	10' Knurled Angle Molding – (.018" metal thickness)	120 x 2 x 2"	–	10	100
<input type="checkbox"/> KAM21020EQ	2"	10' Knurled Angle Molding – (.028" metal thickness)	120 x 2 x 2"	–	10	100
<input type="checkbox"/> KAM21020	2"	10' Knurled Angle Molding – (.033" metal thickness)	120 x 2 x 2"	–	10	100
<input type="checkbox"/> SC151220EQ	1-1/2"	12' x 1.5" SimpleCurve Knurled Angle Molding – (.028" metal thickness)	148 x 1-1/2 x 1-1/2"	37"	10	124
<input type="checkbox"/> SC151225	1-1/2"	12' x 1.5" SimpleCurve Knurled Angle Molding – (.018" metal thickness)	148 x 1-1/2 x 1-1/2"	32"	10	124
<input type="checkbox"/> SC21220EQ	2"	12' x 2" SimpleCurve Knurled Angle Molding – (.028" metal thickness)	148 x 2 x 2"	55"	10	124
<input type="checkbox"/> SC21225	2"	12' x 2" SimpleCurve Knurled Angle Molding – (.018" metal thickness)	148 x 2 x 2"	40"	10	124

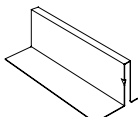
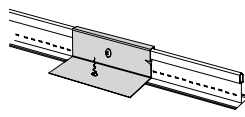
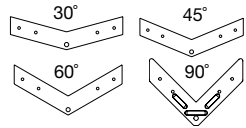
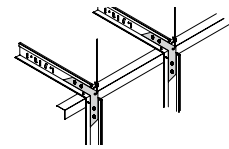
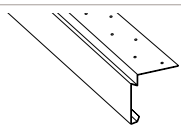
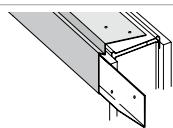
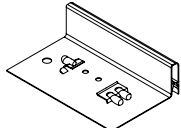
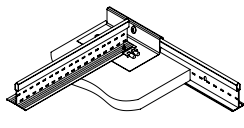
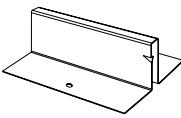
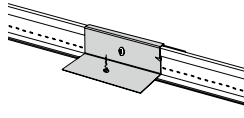
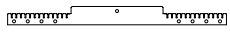
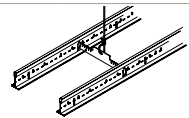
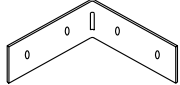
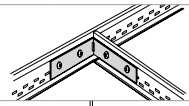

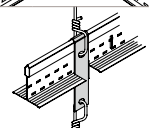
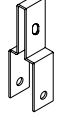
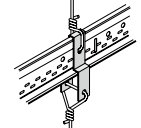
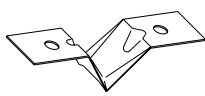
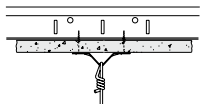
.018" metal thickness meets ASTM C645 for framing



DRYWALL CLIPS AND ACCESSORIES

ACCESSORIES

A variety of drywall grid accessories are available to provide problem-solving solutions that save time, labor, and money. For a complete list of accessories, request submittal BPCS-3082 Drywall Grid System Accessories. All accessory items below are available for overnight delivery direct to the jobsite using our new FastShip™ Clips program. Learn more at armstrongceilings.com/fastshipclips

Item Number	Quantity	Description	Perspective	Application
<input type="checkbox"/> DWACS <input type="checkbox"/> FZDWACS	100 50	Drywall Attachment Clip facilitates transition from drywall to acoustical ceiling; locks under bulb of grid section to prevent upward movement and provides secure attachment surface on one side of exposed grid.		
<input type="checkbox"/> DW30C / FZDW30C <input type="checkbox"/> DW45C / FZDW45C <input type="checkbox"/> DW60C / FZDW60C <input type="checkbox"/> DW90C / FZDW90C	250 / 50 250 / 50 250 / 50 250 / 50	30-, 45-, 60-, and 90-degree Drywall Angle Clips are used to create positive and secure angles for drywall and ceiling installations on either main beams or cross tees.		
<input type="checkbox"/> TT10	30	Partition Top Trim is used to finish the top of a drywall partition for a continuous drywall/acoustical ceiling interface.		
<input type="checkbox"/> DW58LT <input type="checkbox"/> FZDW58LT	125 50	DW58LT – Transition Clip for 5/8" Drywall with Locking Tabs; facilitates transition from drywall to acoustical ceiling; one-sided hold down clip; eliminates need for drywall bead. Locking tabs provide secure location for DGS tees.		
<input type="checkbox"/> DW50LT <input type="checkbox"/> FZDW50LT	125 50	DW50LT – Transition Clip for 1/2" Drywall with Locking Tabs; facilitates transition from drywall to acoustical ceiling; one-sided hold down clip; eliminates need for drywall bead. Locking tabs provide secure location for DGS tees.	DW58LT and DW50LT	DW58LT and DW50LT
<input type="checkbox"/> MBAC	70	Main Beam Adapter Clip attaches to web of grid section; provides larger surface for screw attachment; used as a hold down clip for thin material (metal or plastic lay-in panels); fastens drywall track to underside of exposed grid with lay-in panels, leaving grid face free of screw holes.		
<input type="checkbox"/> GSC9 / FZGSC9 <input type="checkbox"/> GSC12 / FZGSC12 <input type="checkbox"/> GSC16 / FZGSC16	100 / 50 100 / 50 100 / 50	Adjustable Grid Spacer Clip is used to space two parallel main beams for light fixtures, air diffusers, etc.; allows for 1/4" adjustments with three different clips.		
<input type="checkbox"/> XTAC <input type="checkbox"/> FZXTAC	100 50	Cross Tee Adapter Clip is used to attach field-cut cross tees to main beams.		
<input type="checkbox"/> DDC <input type="checkbox"/> FZDDC	250 50	Double Drywall Clip to hang suspension system below existing 1-1/2" grid face, transferring weight directly to hanger wire; may be used to preserve the fire rating of an existing ceiling and to support heavy accessories; allows for double layer of 5/8" gypsum board.		
<input type="checkbox"/> DLCC <input type="checkbox"/> FZDLCC	250 50	Direct Load Ceiling Clip to hang suspension system below existing 15/16" grid face, transferring weight directly to hanger wire; may be used to preserve the fire rating of an existing ceiling and to support heavy accessories.		
<input type="checkbox"/> DWC <input type="checkbox"/> FZDWC	250 50	Drywall Clip allows for a "second" ceiling to be installed below a drywall ceiling; attach through installed drywall to supporting structure.		
<input type="checkbox"/> IIC	36 pcs/box	Sound Isolation Clip provides up to eight points of Impact Insulation Class improvement in drywall ceiling installations using Armstrong drywall grid main beam HDB906IIC to help ensure your project meets International Building Code requirements.	