



SYNTHETIC STUCCO GRID SYSTEMS

HANGING AND FRAMING
EIFS/DIRECT APPLIED CEILINGS

Inspiring Great Spaces®

Armstrong®
CEILING SOLUTIONS

FASTER. EASIER. BETTER.

Armstrong® Drywall Framing Systems install faster than traditional methods, which helps you complete jobs under cost and ahead of schedule.

Our Drywall Systems are manufactured to meet or exceed ASTM standards and code requirements and are engineered to provide economical alternatives to stud and track construction.

We provide pre-engineered solutions for direct-to-deck installations, vertical drops, and short spans. This makes Armstrong ShortSpan® Drywall Framing perfect for use in corridors, small room configurations, restrooms, and storage closets.

DRYWALL Grid Systems

Code Compliance You Can Trust

Meets:

- ASTM C645
- ASTM C840
- ASTM C754
- ICC Evaluation Report Number ESR-1289
- Department of State Architect – DSA PA105
- City of LA – RR 25348
- Miami/Dade wind uplift – NOA #15-0127.04-03/17/015
- Miami/Dade Impact – NOA #14-1204.05-10/07/14
- Consult local codes for specific requirements

Performance

- PeakForm® patented profile increases strength and stability for improved performance during installation
- SuperLock™ main beam clip is engineered for a strong secure connection and fast accurate alignment confirmed with an audible click; easy to remove and relocate
- ScrewStop® reverse hem prevents screw spin-off on 1-1/2" wide face



STUCCO/PLASTER GRID SYSTEMS

TABLE OF CONTENTS

- 2 Code Compliance
- 2-3 Performance
- 4 Componentets
- 5-6 Moldings
- 6 Wire Load
- 7 Stucco/Plaster Grid Suspension Installation
- 8-9 Stucco/Plaster Details
- 10 Wind Load
- 11 Exterior Wind Load Bracing to Concrete Slab
- 12-14 Exterior Wind Load Bracing to Meet Metal Bar Joists
- 15-16 Making a Template
- 16 Wind Load and Impact
- 17 Radius Chart



- Rotary-stitched – Greater torsional strength and stability
- 1-1/2" wide face main beams and cross tees – Easy installation of screw applied gypsum wallboard
- G40 AND G90 hot dipped galvanized coating – Superior corrosion resistance for exterior applications
- Heavy-duty load rating – Minimum 16 lbs./LF on main beams and cross tees
- Wind Load construction available, including Miami Dade/Broward County, Florida
- Pre-engineered stucco products space tees to match lath dimensions

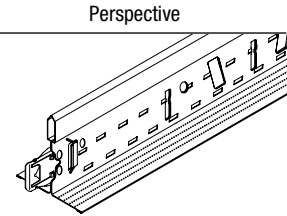
Corrosion Prevention

Corrosion prevention is an essential factor in the economical utilization of galvanized sheet metal for ceiling grid. Armstrong provides G40 for standard construction per ASTM C645. When conditions include exposure to extreme moisture and salt water, G90 is available per ASTM A653.

COMPONENTS

MAIN BEAMS

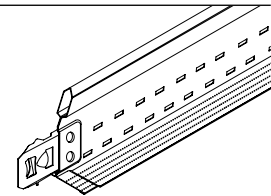
Item Number	Length	Face Dimension	Profile Height	Duty Load	Fire Rated	Routs	Load Test Data (Lbs./LF)					
							L/360 wires at			L/240 wires at		
							2'	3'	4'	2'	3'	4'
HD8906 HD8906G90 HD8906HRC	144"	1-1/2"	1-11/16"	Heavy Duty	Yes	51 routs – starting 2-1/4" from each end†	95.5	35.8	18.76	139.85	52.24	28.14



† Type F fixture compatible

CROSS TEES

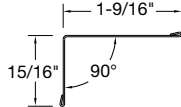

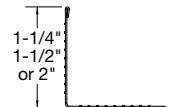
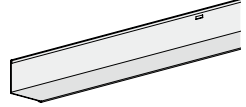
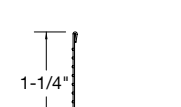
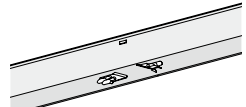
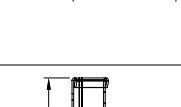

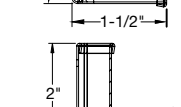
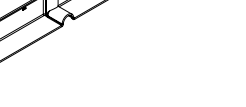
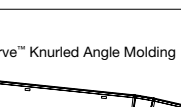


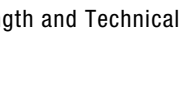
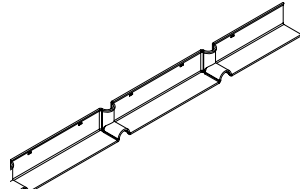
Item Number	Length	Face Dimension	Profile Height	Fire Rated	Routs	Load Test Data (Lbs./LF)						
						L/360 wires at			L/240 wires at			
						50°			50°			
XL8947P XL8947PG90	50"	1-1/2"	1-1/2"	Yes	8 routs – starting 10" from each end†	31.3			31.3			
XL8945P XL8945PG90 XL8945HRC	50"	1-1/2"	1-1/2"	Yes	2 routs – 12" from each end†	–		15.0			22.5	
XL7936G90	36"	1-1/2"	1-1/2"	No	none		33.3				50.0	
XL8925 XL8925G90	26"	1-1/2"	1-1/2"	Yes	2 routs – 12" from each end†	98.0					117.0	
XL8926 XL8926G90	24"	1-1/2"	1-1/2"	Yes	3 routs – center rout and 10" from each end†	129.0					158.0	
XL7918	14"	1-1/2"	1-1/2"	Yes	none†	71.5					107.0	



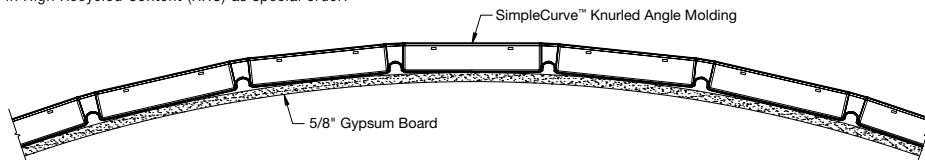
NOTE: All items available in High Recycled Content (HRC) as special order.

† Type F fixture compatible

WALL MOLDING

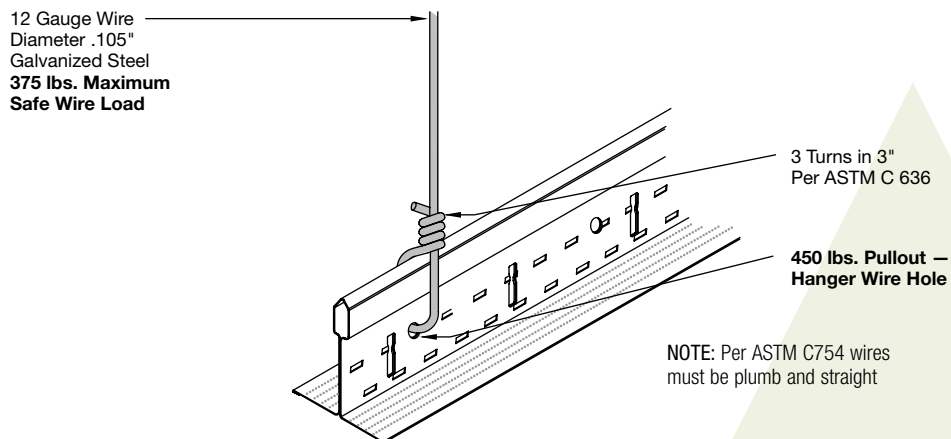
Item Number	Length	Description	Profile	Perspective
7858	144"	Reverse Angle Molding nominal 1-9/16" x 15/16"		
KAM10	120"	Knurled Angle Molding nominal 1-1/4" x 1-1/4"		
KAM12 KAM12G90 KAM12HRC	144"	Knurled Angle Molding nominal 1-1/4" x 1-1/4"		
KAM1510 KAM1512 KAM151020 KAM151020EQ	120" 144"	Knurled Angle Molding nominal 1-1/2" x 1-1/2" (KAM1510 & KAM1512 - 25 ga.; KAM151020 - 20 ga.; KAM151020EQ - 22 ga.)		
KAM21020 KAM21025 KAM21020EQ	120" 144"	Knurled Angle Molding nominal 2" x 2" (20 ga.) (KAM21020 - 20 ga.; KAM21025 - 25 ga.; KAM21020EQ 22 ga.)		
LAM12 LAM12G90 LAM12HRC LAM151220E	144"	Locking Angle Molding nominal 1-1/4" x 1-1/4"		
SC151220EQ SC151225 SC21220EQ SC21225	148" 148" 148" 148"	SimpleCurve™ Knurled Angle Molding (SC151220EQ 12' x 1.5" & SC21220EQ 12' x 2" – 20 ga.; SC151225 12' x 1.5" & SC21225 12' x 2" – 25 ga.)	 	

NOTE: All items available in High Recycled Content (HRC) as special order.



WIRE LOAD DETAILS

12 Gauge Wire Breaking Strength and Technical Data



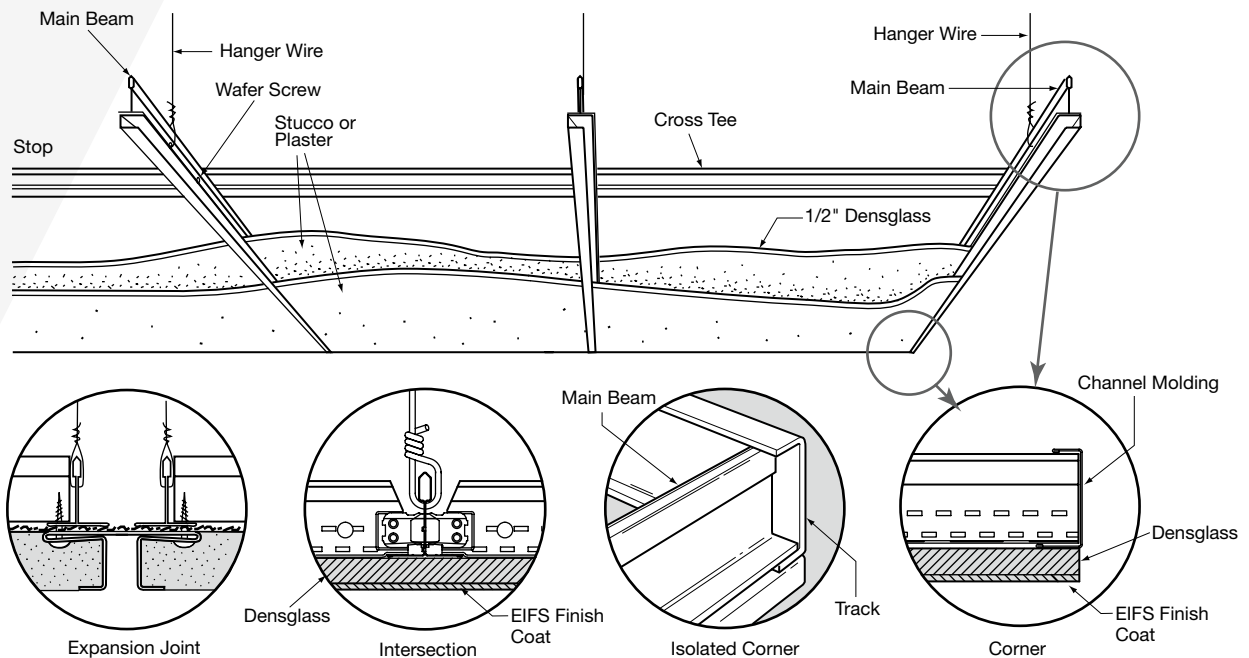
STUCCO/PLASTER INSTALLATION AND DETAILS

STUCCO/PLASTER GRID SUSPENSION INSTALLATION

- 1 For wind speed less than 60 MPH, install main beams 48" O.C. For wind speed over 60 MPH, see page 9 for main beam spacing.
- 2 Use either track positively attached, metal angle or main beam for isolation from wall. When located near salt water, use 9 gauge wire.
- 3 Install cross tees 16" O.C.
- 4 Install vertical brace at required locations for wind loading on suspension system. See chart page 9.
- 5 Install substrate gypsum board (water resistant) with screw spacing 6" to 8" O.C. Cement board can also be used on exterior. Use lower RPM (1,000-2,500) screw gun to install cement board screws with intermittent pressure.
- 6 Install finish system per manufacturers recommendation.
- 7 Use plastic vented starter, stops or casing beads with holes to allow moisture to escape from system.
- 8 Install vent strips where necessary in plenum to handle air pressure and moisture.
- 9 Install both control joints and expansion joints to control movement in system, in accordance with ASTM C840.
- 10 Synthetic bonding agents are the responsibility of each individual manufacturer of EIFS and is not the responsibility of the suspension system manufacturer.
- 11 The suspension system manufacturer's responsibility is to furnish a smooth and level surface in accordance with C645 and C754 for the proper weight loading.

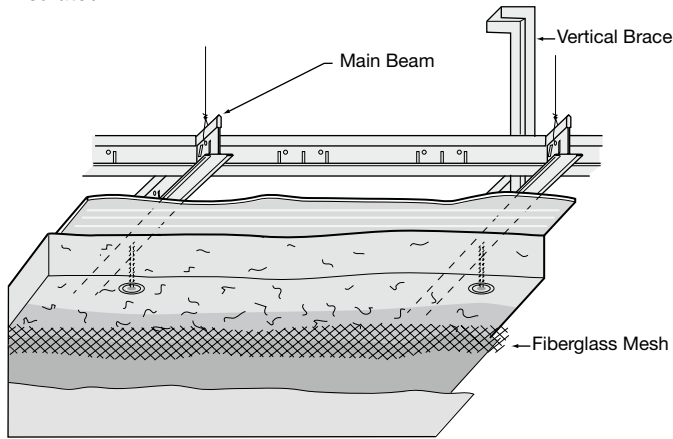
For further information, contact your local representative or TechLine at 877 276 7876.

DETAILS OF STUCCO/PLASTER SYSTEMS

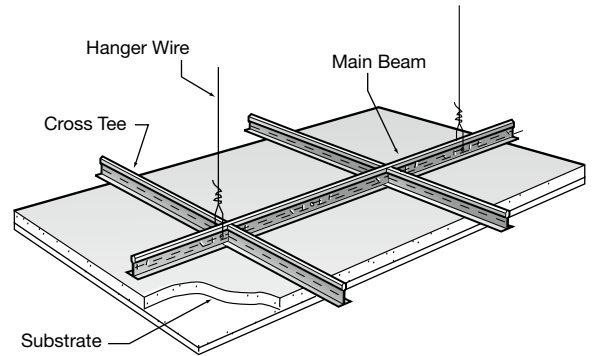


STUCCO/PLASTER GRID SUSPENSION INSTALLATION

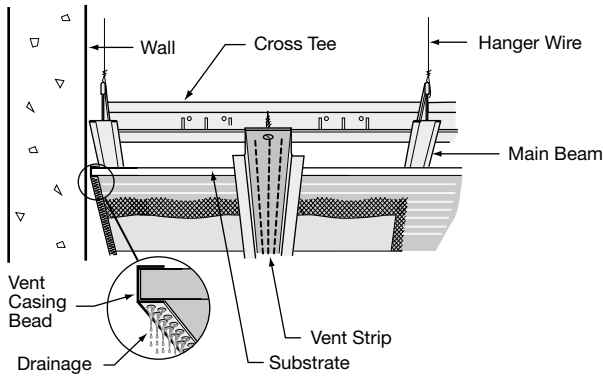
Insulated



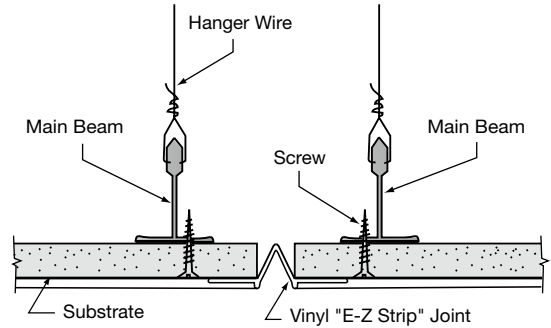
Uninsulated



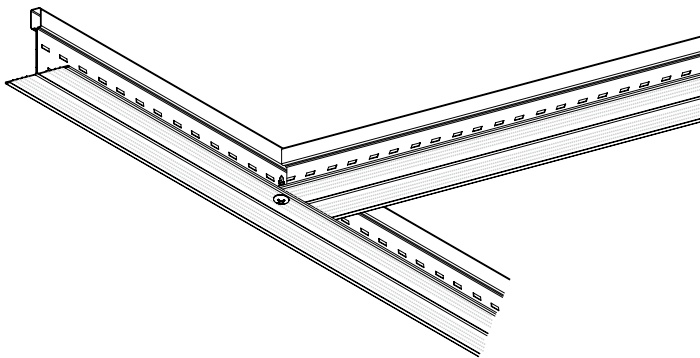
Vent Strip



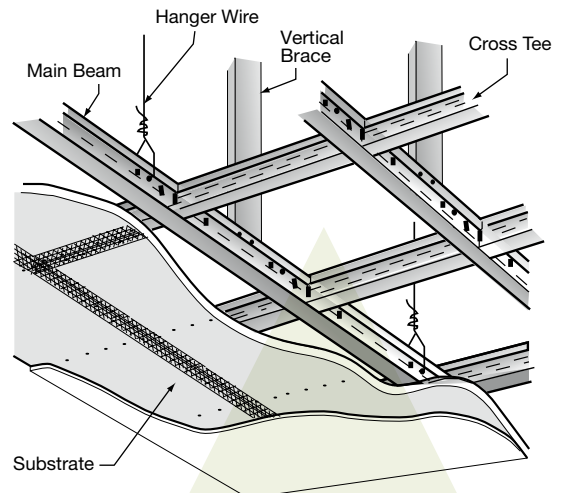
Control Joint



Non-Modular Cut and Screw



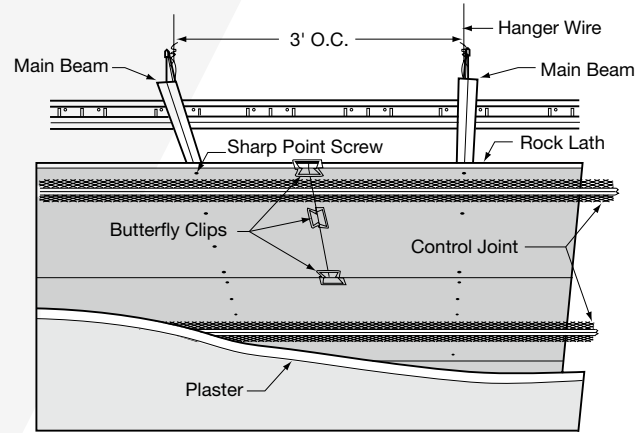
Exterior Wind Loaded (See chart on page 6)



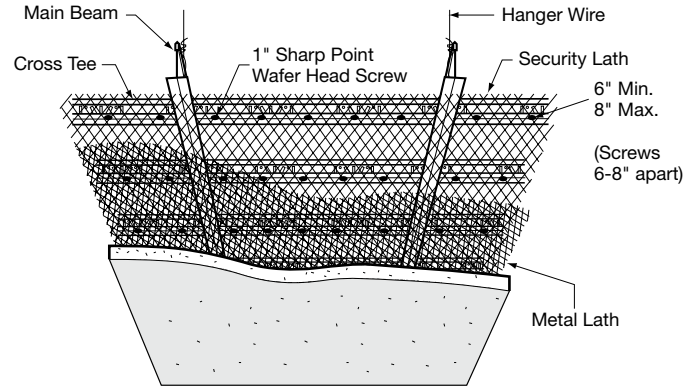
STUCCO/PLASTER INSTALLATION

DETAILS OF STUCCO/PLASTER SYSTEMS

Rock Lath and Plaster



Security Metal Lath and Plaster



EIFS SYSTEM EXTERIOR WIND LOAD DESIGN FOR NORTH AMERICA

Plenum Height (Ft - In)	Design Wind Velocity (MPH)	Design Wind Pressure (PSF)	Compression Post Size (Inch)	Compression Post Gauge (Ga. No.)	Sheathing Membrane Substrate 5/8" Drywall Sheet Densglass Gold G-P	Compression Post Spacing (ft.-in.)	Main Runner Spacing (Inch)	Cross Tee Length (Inch)	Hanger Wire Spacing (ft.-in.)	Cross Tee Length (Feet)	Compression Post Load (Lbs.)
0 ↓ 6' ***	15	5.07	2 1/2" CWN	20	5/8" G.P. Densglass & 1/4"-3/8" EIFS	4' - 2"	48"	16"	4'	4'	18
	30	2.03	2 1/2" CWN	20	5/8" G.P. Densglass & 1/4"-3/8" EIFS	3'-10"	48"	16"	4'	4'	49
	45	4.56	2 1/2" CWN	20	5/8" G.P. Densglass & 1/4"-3/8" EIFS	3' - 6"	48"	16"	4'	4'	96
	60	8.1	2 1/2" CWN	20	5/8" G.P. Densglass & 1/4"-3/8" EIFS	3' - 6"	36"	16"	4'	3'	125
	90	18.24	2 1/2" CWN	20	5/8" G.P. Densglass & 1/4"-3/8" EIFS	2' - 9"	36"	16"	3'	3'	229
	120	32.43	2 1/2" CWN	20	5/8" G.P. Densglass & 1/4"-3/8" EIFS	2' - 8"	24"	16"	2' - 6"	2'	266
	140	44.14	2 1/2" CWN	18	5/8" G.P. Densglass & 1/4"-3/8" EIFS	2' - 4"	24"	16"	2' - 6"	2'	331
6' 1" ↓ 10' 3" ****	172	75	2 1/2" CSJ	18	See NOA 12-0314.05 Design	2'	24"	16"	2'	2'	445
	172	75	2 1/2" CJS	18	See NOA 12-0314.04 Design	2' - 6"	36"	16"	2' - 6"	3'	565
	15	5.07	2 1/2" CSJ	18	5/8" G.P. Densglass & 1/4"-3/8" EIFS	4' - 2"	48"	16"	4'	4'	18
	30	2.03	2 1/2" CSJ	18	5/8" G.P. Densglass & 1/4"-3/8" EIFS	3'-10"	48"	16"	4'	4'	49
	45	4.56	2 1/2" CSJ	18	5/8" G.P. Densglass & 1/4"-3/8" EIFS	3' - 6"	48"	16"	4'	4'	96
	60	8.1	2 1/2" CSJ	18	5/8" G.P. Densglass & 1/4"-3/8" EIFS	3' - 6"	36"	16"	4'	3'	125
	90	18.24	2 1/2" CSJ	18	5/8" G.P. Densglass & 1/4"-3/8" EIFS	2' - 9"	36"	16"	3'	3'	229
10' 4" ↓ 15' 0" ****	120	32.43	2 1/2" CSJ	18	5/8" G.P. Densglass & 1/4"-3/8" EIFS	2' - 8"	24"	16"	2' - 6"	2'	266
	140	44.14	2 1/2" CSJ	18	5/8" G.P. Densglass & 1/4"-3/8" EIFS	2' - 4"	24"	16"	2' - 6"	2'	331
	172	75	2 1/2" CSJ	18	See NOA 12-0314.05 Design	2'	24"	16"	2'	2'	445
	172	75	2 1/2" CJS	18	See NOA 12-0314.04 Design	2' - 6"	36"	16"	2' - 6"	3'	565
	*15	5.07	2 1/2" CSJ	18	5/8" G.P. Densglass & 1/4"-3/8" EIFS	4' - 2"	48"	16"	4'	4'	18
	*30	2.03	2 1/2" CSJ	18	5/8" G.P. Densglass & 1/4"-3/8" EIFS	3'-10"	48"	16"	4'	4'	49
	*45	4.56	2 1/2" CSJ	18	5/8" G.P. Densglass & 1/4"-3/8" EIFS	3' - 6"	48"	16"	4'	4'	96
15' 1" ↓ 20' 0" ****	*60	8.1	2 1/2" CSJ	18	5/8" G.P. Densglass & 1/4"-3/8" EIFS	3' - 6"	36"	16"	4'	3'	125
	*90	18.24	2 1/2" CSJ	18	5/8" G.P. Densglass & 1/4"-3/8" EIFS	2' - 9"	36"	16"	3'	3'	229
	*120	32.43	2 1/2" CSJ	18	5/8" G.P. Densglass & 1/4"-3/8" EIFS	2' - 8"	24"	16"	2' - 6"	2'	266
	*140	44.14	2 1/2" CSJ	18	5/8" G.P. Densglass & 1/4"-3/8" EIFS	2' - 4"	24"	16"	2' - 6"	2'	331
	*172	75	2 1/2" CSJ	18	See NOA 12-0314.05 Design	2'	24"	16"	2'	2'	445
	*172	75	2 1/2" CJS	18	See NOA 12-0314.04 Design	2' - 6"	36"	16"	2' - 6"	3'	565
	**15	5.07	3 5/8" CSJ	18	5/8" G.P. Densglass & 1/4"-3/8" EIFS	4' - 2"	48"	16"	4'	4'	18
**30	2.03	3 5/8" CSJ	18	5/8" G.P. Densglass & 1/4"-3/8" EIFS	3'-10"	48"	16"	4'	4'	49	
**45	4.56	3 5/8" CSJ	18	5/8" G.P. Densglass & 1/4"-3/8" EIFS	3' - 6"	48"	16"	4'	4'	96	
**60	8.1	3 5/8" CSJ	18	5/8" G.P. Densglass & 1/4"-3/8" EIFS	3' - 6"	36"	16"	4'	3'	125	
**90	18.24	3 5/8" CSJ	18	5/8" G.P. Densglass & 1/4"-3/8" EIFS	2' - 9"	36"	16"	3'	3'	229	
**120	32.43	3 5/8" CSJ	18	5/8" G.P. Densglass & 1/4"-3/8" EIFS	2' - 8"	24"	16"	2' - 6"	2'	266	
**140	44.14	3 5/8" CSJ	18	5/8" G.P. Densglass & 1/4"-3/8" EIFS	2' - 4"	24"	16"	2' - 6"	2'	331	
**172	75	3 5/8" CSJ	18	See NOA 12-0314.05 Design	2'	24"	16"	2'	2'	445	
**172	75	3 5/8" CSJ	18	See NOA 12-0314.04 Design	2' - 6"	36"	16"	2' - 6"	3'	565	

Ceiling System = HD 8906-G90 Main Runner 12 ft. / XL 8945P-G90 Cross Runner 4 ft. / XL 7936-G90 Cross Runner 3 ft. / XL 8926-G90 Cross Runner 2 ft. / #9 Ga. H.D.G. Hanger Wire

* Note 1-1/2" 16ga. U-Channel Bridging required at Mid Span for 10'4" up to 15'0".

** Note 1-1/2" 16ga. U-Channel Bridging required at 1/3rd Points for 15'1" up to 20'0".

*** Compression Post and Ceiling system tested at the plenum design depth shown here for positive and negative wind speed pressure loads as listed.

**** Compression Post Assemblies at this plenum design depth calculated by Dietrich Design Group.

For building heights over 20 feet refer to ASCE 7-10 chapter 6 Wind Loads Non-Impact Miami/Dade County EIFS Exterior Ceiling Design NOA 12-0314.05 Hurricane Zone Approved.

Impact Rated EIFS Exterior Ceiling Design with 5/8" F/R plywood added to membrane Miami/Dade County See NOA 12-0314.04 Hurricane Zone Approved. Stud Products and Properties Based on Dietrich Industries Inc.

Control Joints / Expansion Joints

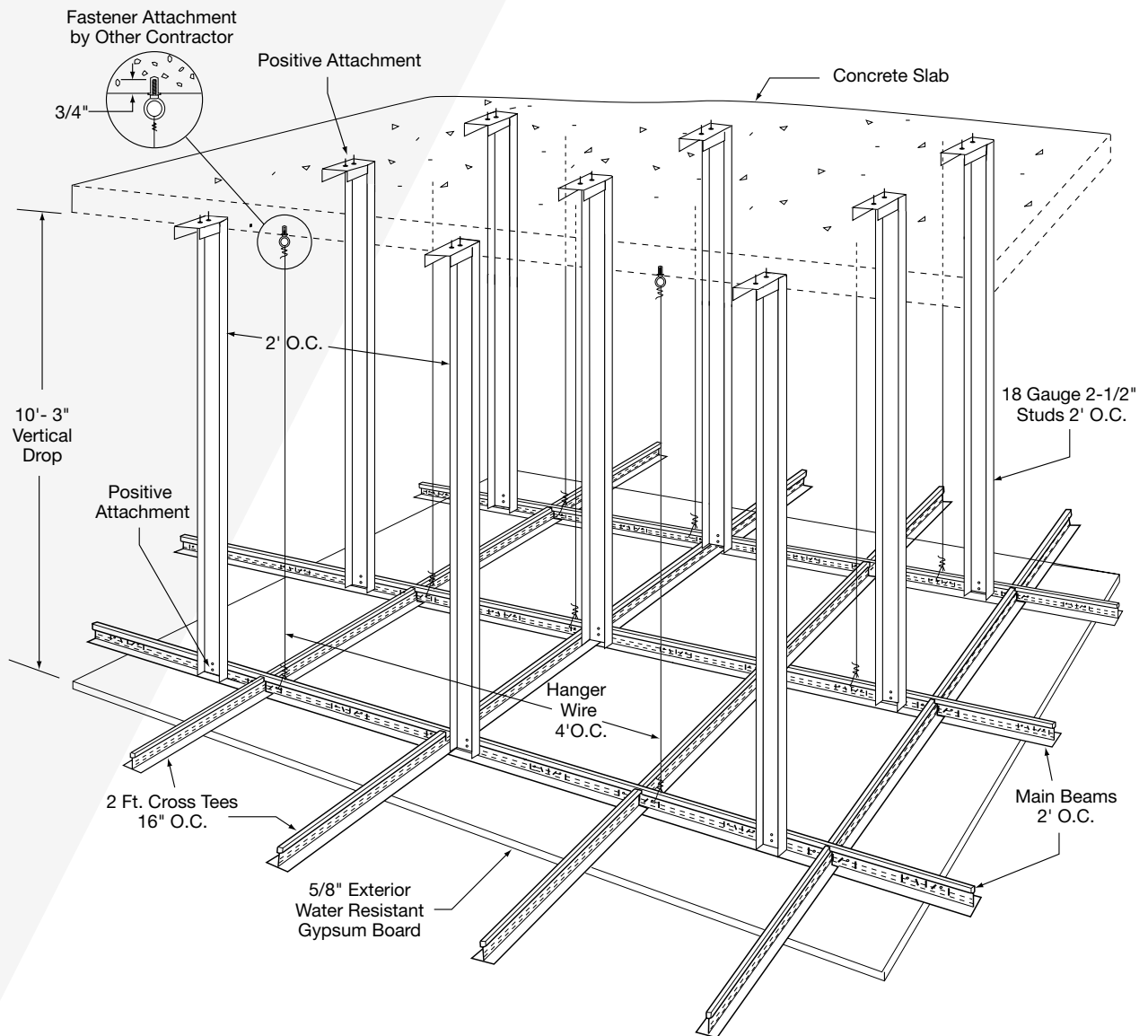
Control joints minimize cracking caused by stresses in the surface material attached to a metal suspension system. Materials have different rates of expansion and control joints are placed 35' to 50' apart to control bucking and cracking of surface. Control joints are also used to minimize stresses in monolithic ceiling membrane that occur at columns, access doors, light fixtures, inside and outside corners and other unusual penetrations in ceilings. Ceiling expansion joints are installed to separate the metal suspension system when expansion joints occur in buildings, ceiling span is over 100' or when metal changes direction. Expansion joints are required to separate a system in T, H, L, and U or Circle shaped buildings to eliminate cracking from expansion. Both expansion and control joints look similar but perform different functions.

Membrane Load Values

Component Combinations	Maximum Load in lbs./ft. ² at Hanger Wire/ Cross Tee Spacing	
	36" / 16"	
	L/240	L/360
HD8906/XL7936G90 (mains 36" O.C.)	21.77	14.51
HD8906/XL8926 (mains 24" O.C.)	26.13	21.77

WIND LOAD BRACING

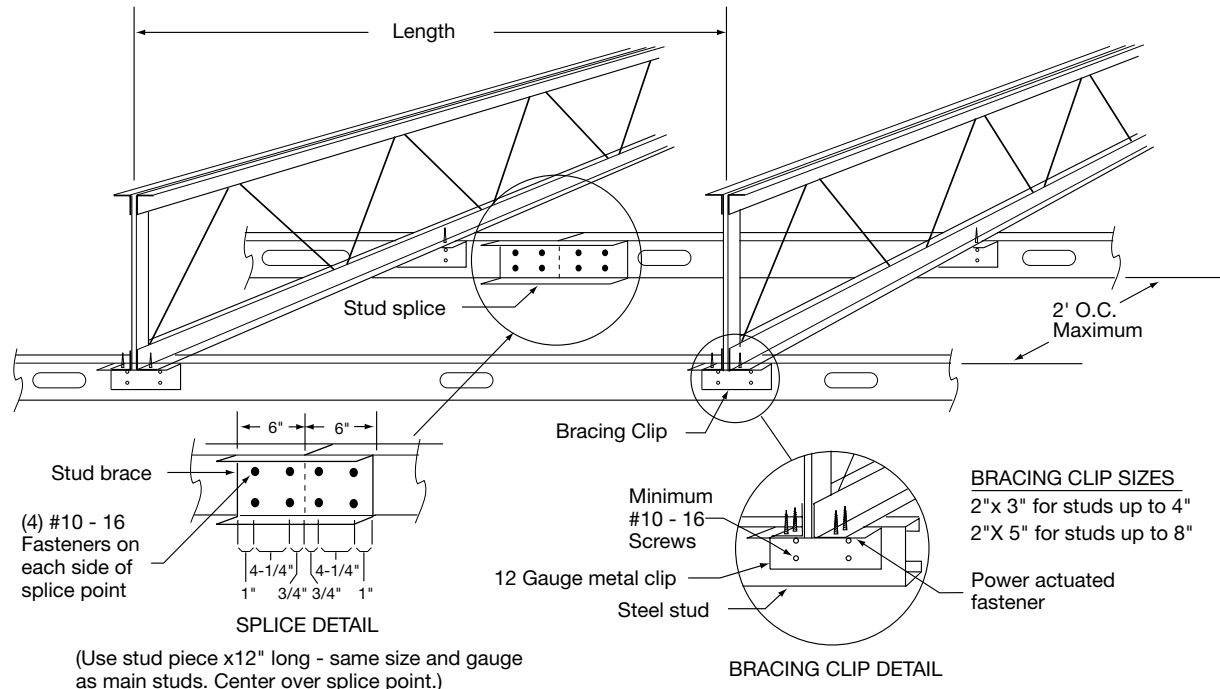
EXTERIOR WIND LOAD BRACING TO CONCRETE SLAB



Notes:

- 1 Positive attach with #10 -16 screw – clip to stud.
- 2 Positive attach with Clip to Bar Joist with 2 .145" Dia. x 1/2" long.
- 3 Screws: #10 - 16 TEKS/ 3 Buildex or equal.
- 4 Power activated Fasteners: .145 Dia. x 1/2" long (X-DNI) Hilti pins.
- 5 Clips: All Clips to be made of 50 KSI material. Spans up to 70" use angle 2" x 5" x 12 gauge x 0-4" long. Spans 72" x 120" use angle 2" x 5" x 10 gauge x 0-5" long. For studs up to 4", use 3" flange in lieu of 5".
- 6 All spans based on single span.
- 7 Wind load – 75 PSF
- 8 Dead load – 10 PSF
- 9 Spans of 120" require bridging on top flange at midspan. Use 1-1/2 CRC 16 gauge attached with (1) #10 - 16 to top flange.
- 10 In some cases, angles may need to be welded to structure.

EXTERIOR WIND LOAD BRACING TO METAL BAR JOISTS



Steel Stud Bracing 2' O.C. ASTM C - 645

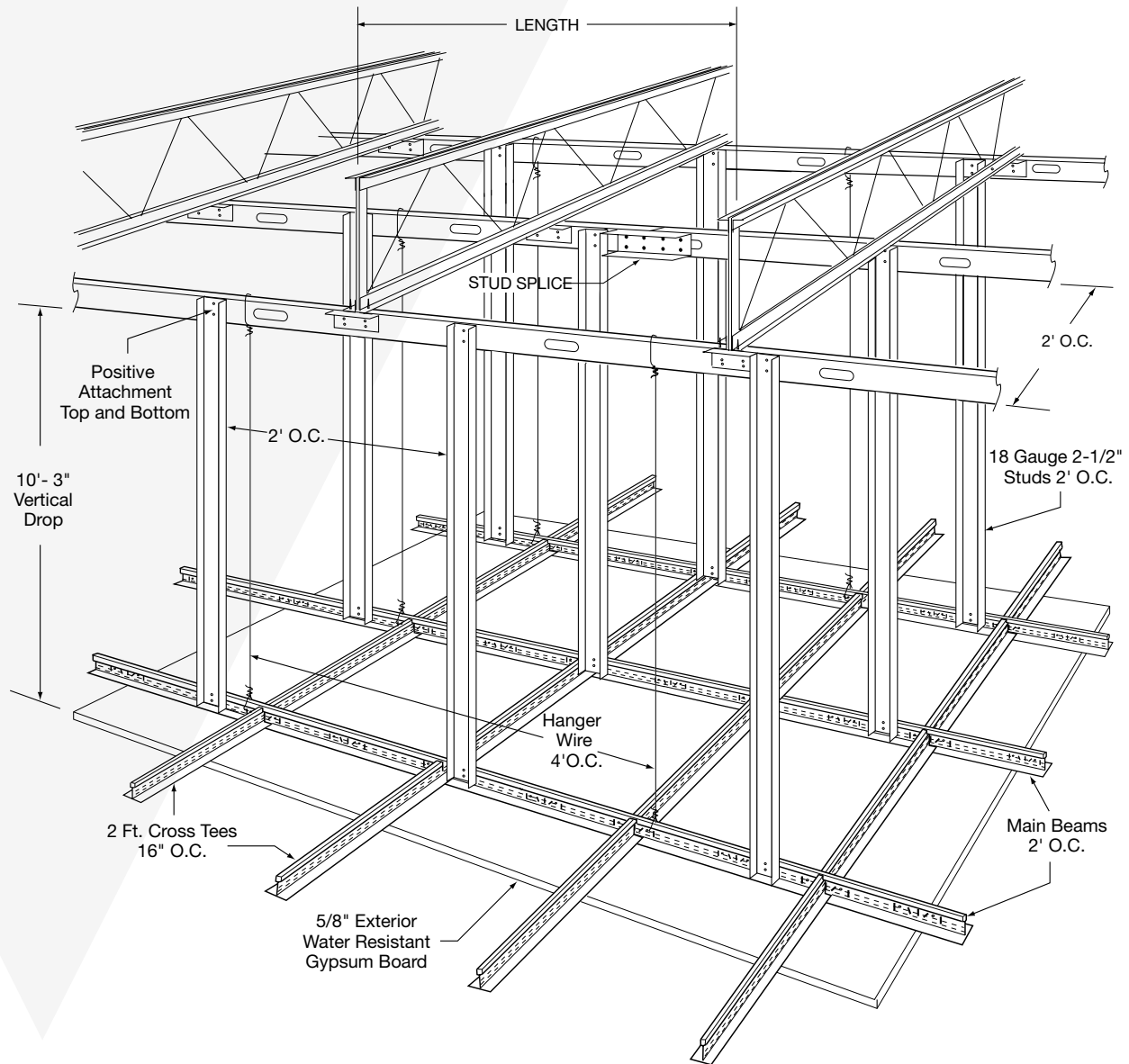
Span Length	3-5/8"	Gauge	4"	Gauge	6"	Gauge	8"	Gauge	
48"	362 - CSJ	20							
54"	362 - CSJ	20	4 - CSJ	20					
60"	362 - CSJ	18	4 - CSJ	18					
66"	362 - CSJ	16	4 - CSJ	16					
70"	362 - CSJ	14			6 - CSJ	20			
72"			4 - CSJ	14					
76"					6 - CSJ	18			
80"							8 - CSJ	18	
82"					6 - CSJ	16			
86"							8 - CSJ	18	
88"					6 - CSJ	14			
92"							8 - CSJ	16	
96"							8 - CSJ	14	
120"	(For 120" Length Bridging Required @ Midspan (See Note 9))							8 - CSJ	16

Notes:

- Positive attach with #10 - 16 screw – clip to stud.
- Positive attach with Clip to Bar Joist with 2 .145" Dia. x 1/2" long.
- Screws: #10 - 16 TEKS/ 3 Buildex or equal.
- Power activated Fasteners: .145 Dia. x 1/2" long (X-DNI) Hilti pins.
- Clips: All Clips to be made of 50 KSI material. Spans up to 70" use angle 2" x 5" x 12 gauge x 0-4" long. Spans 72" x 120" use angle 2" x 5" x 10 gauge x 0-5" long. For studs up to 4", use 3" flange in lieu of 5".
- All spans based on single span.
- Wind load – 75 PSF
- Dead load – 10 PSF
- Spans of 120" require bridging on top flange at midspan. Use 1-1/2 CRC 16 gauge attached with (1) #10 - 16 to top flange.
- In some cases, angles may need to be welded to structure.

WIND LOAD BRACING

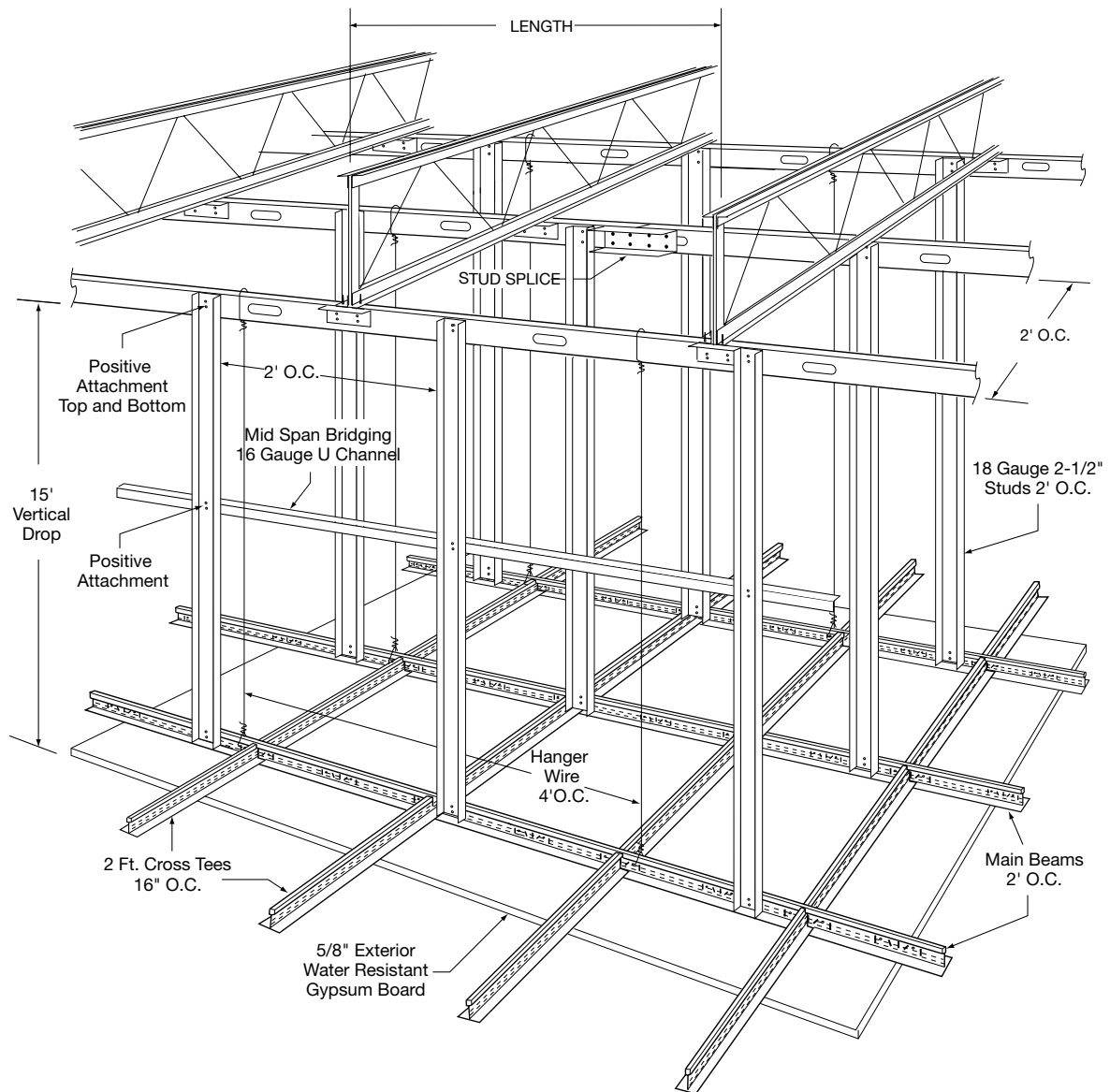
EXTERIOR WIND LOAD BRACING TO METAL BAR JOISTS



Notes:

- 1 Positive Attachment Top and Bottom.
- 2 22 Gauge 2-1/2" Studs 2' O.C.
- 3 Main Beams 2' O.C. / Cross Tees 16" O.C 2' Long.
- 4 Hanger Wire 4' O.C.
- 5 Vertical Drop 0 - 6' Minimum 22 Gauge. Not shown on drawing. (See Chart)

EXTERIOR WIND LOAD BRACING TO METAL BAR JOISTS

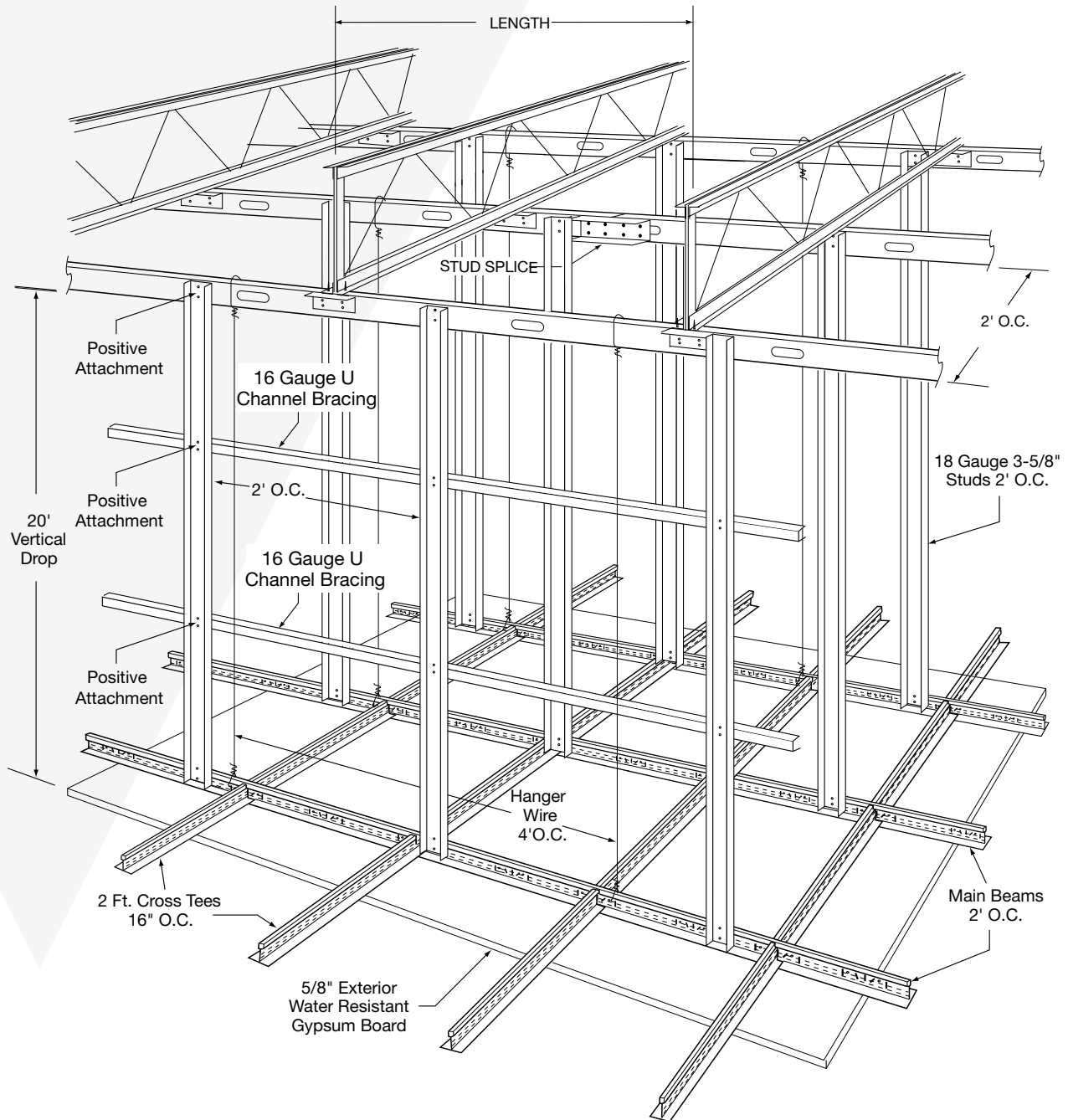


Notes:

- 1 1-1/2 #16 Gauge U Channel Bracing Required at Mid Span for 10' – 15' Vertical Drop.
- 2 Positive Attachment Top and Bottom.
- 3 18 Gauge 2-1/2" Stud 2' O.C.
- 4 Main Beams 2' O.C. / Cross Tees 16" O.C 2' Long.
- 5 Hanger Wire 4' O.C.

WIND LOAD BRACING

EXTERIOR WIND LOAD BRACING TO METAL BAR JOISTS



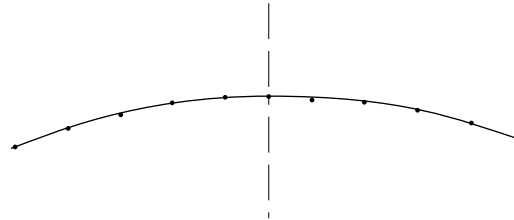
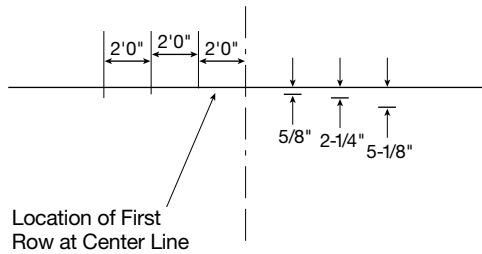
Notes:

- 1 1-1/2 #16 Gauge U Channel Bracing Required at 1/3 Points.
- 2 Positive Attachment Top and Bottom.
- 3 18 Gauge 3-5/8" Studs 2' O.C.
- 4 Main Beams 2' O.C. / Cross Tees 16" O.C. 2' Long.
- 5 Hanger Wire 4' O.C.

ESTABLISHING AN ARC

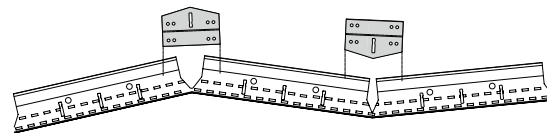
- 1 Draw radius on template (plywood, gypsum board, etc.).
- 2 Establish a center line.
- 3 Mark 2' increments on line perpendicular to center line.
- 4 At 2' marks, identify points of arc below perpendicular line (maintain consistent spacing of point). See radius charts on page 17.
- 5 Connect points to form a smooth arc.

Example: 43' arc using chart on page 17



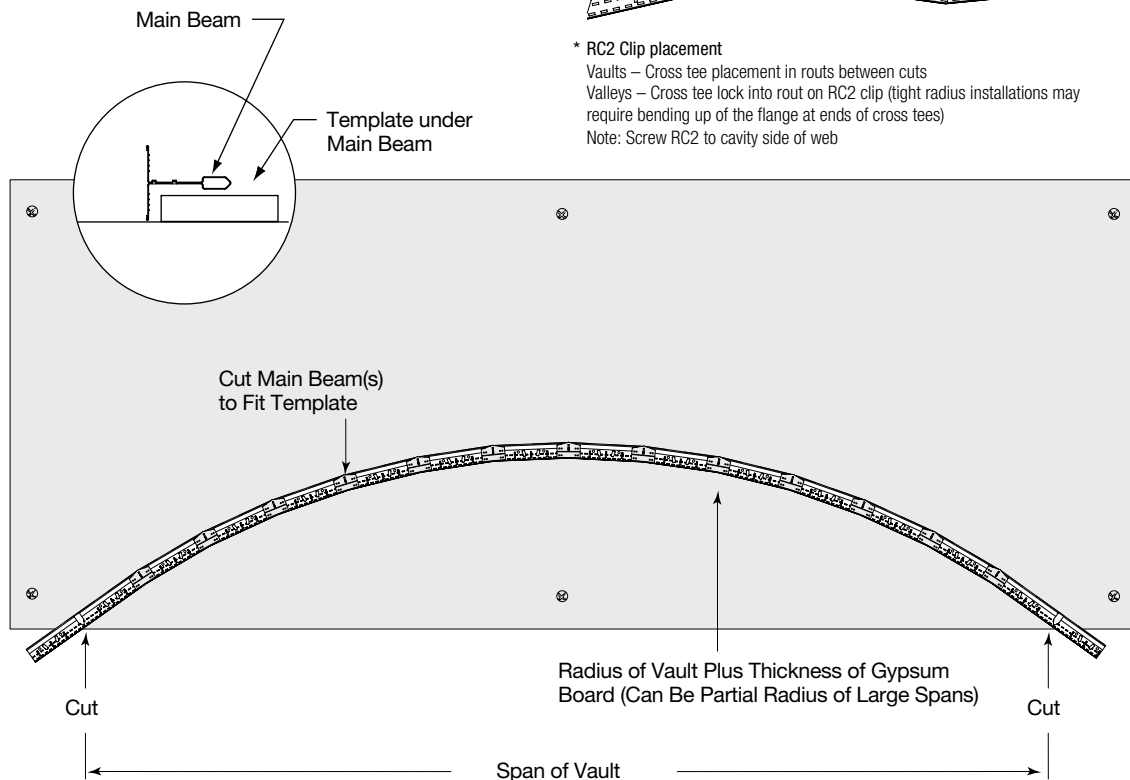
COMPLETING THE TEMPLATE – OPTION 1

- 1 Cut along the arc and remove section of template.
- 2 Cut main beam as required and position along the cut radius on the template (use chart on page 17).
- 3 Screw RC2 clips to faceted main beam at all knockout locations. *
- 4 On the template, mark a rout location reference point to maintain consistent rout location.



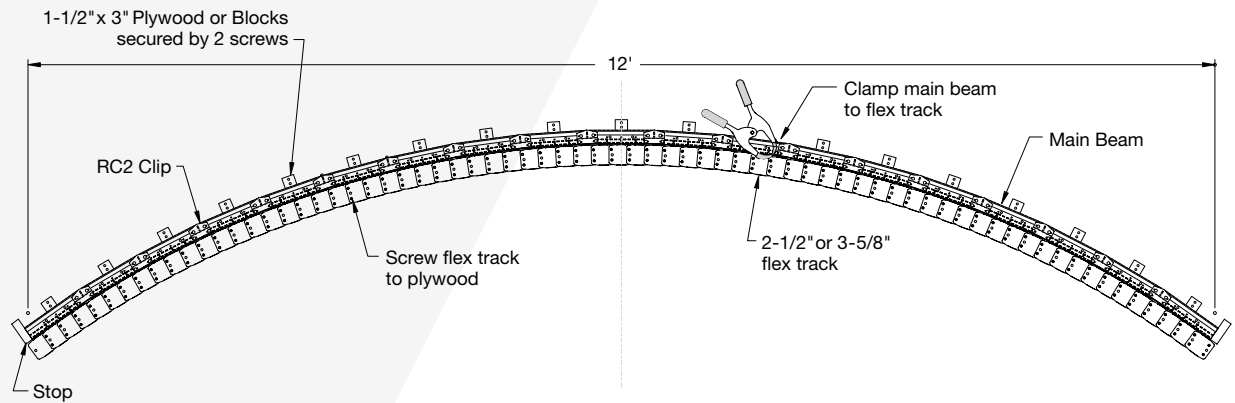
* RC2 Clip placement

Vaults – Cross tee placement in routs between cuts
 Valleys – Cross tee lock into rout on RC2 clip (tight radius installations may require bending up of the flange at ends of cross tees)
 Note: Screw RC2 to cavity side of web



MAKING A TEMPLATE

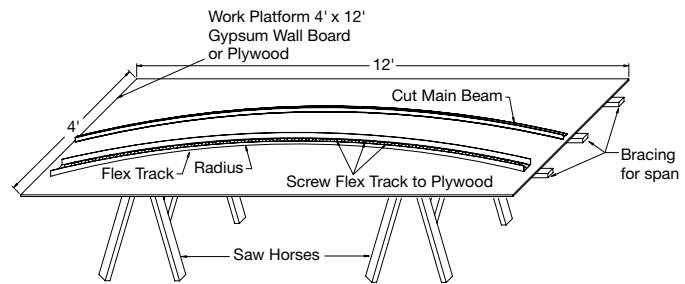
COMPLETING THE TEMPLATE – OPTION 2



- 1 Draw radius on board.
- 2 Screw flex track to board along radius line.
- 3 Cut main beams as required and position along the flex track on the template.
- 4 Screw RC2* clips to faceted main beam at all knockout locations.
- 5 On the template, mark a rout location reference point to maintain consistent rout location.

Contractors' efficiency and understanding of the suspended grid system construction provides performance benefits and cost savings.

- An unlimited range of vaults and valleys can be constructed using faceted main beams made on the job to meet design needs.
- Single and multiple curved ceilings can be framed quickly and easily.



*Screw RC2 on cavity side of web

RADIUS DIMENSIONS

		Radius Dimension															
2 Increments from Center Line		10' 0"	11' 0"	12' 0"	13' 0"	14' 0"	15' 0"	16' 0"	17' 0"	18' 0"	19' 0"	20' 0"	21' 0"	22' 0"	23' 0"	24' 0"	
	2'	2"	2-1/4"	2"	1-7/8"	1-3/4"	1-5/8"	1-1/2"	1-1/2"	1-3/8"	1-1/4"	1-1/4"	1-1/8"	1-1/8"	1-1/8"	1"	
	4'	10"	9-1/8"	8-1/4"	7-5/8"	7"	6-1/2"	6-1/8"	5-3/4"	5-3/8"	5-1/8"	4-7/8"	4-5/8"	4-3/8"	4-1/4"	4"	
	6'	2'0"	1'9-3/8"	1'7-3/8"	1'5-5/8"	1'4-1/4"	1'3"	1'2"	1'1-1/8"	1'0-3/8"	11-3/4"	11-1/8"	10-1/2"	10"	9-5/8"	9-1/8"	
	8'	4'0"	3'5-5/8"	3'0-3/4"	2'9-1/8"	2'6-1/8"	2'3-3/4"	2'1-3/4"	2'0"	1'10-1/2"	1'9-1/4"	1'8-1/8"	1'7"	1'6-1/8"	1'5-1/4"	1'4-1/2"	
		25' 0"	26' 0"	27' 0"	28' 0"	29' 0"	30' 0"	31' 0"	32' 0"	33' 0"	34' 0"	35' 0"	36' 0"	37' 0"	38' 0"	39' 0"	
	2'	1"	1"	7/8"	7/8"	7/8"	7/8"	3/4"	3/4"	3/4"	3/4"	3/4"	3/4"	3/4"	5/8"	5/8"	5/8"
	4'	3-7/8"	3-3/4"	35/8"	3-1/2"	3-3/8"	3-1/4"	3-1/8"	3"	3"	2-7/8"	2-3/4"	2-3/4"	2-5/8"	2-5/8"	2-1/2"	
	6'	8-3/4"	8-1/2"	81/2"	7-7/8"	7-1/2"	7-1/4"	7-1/8"	6-7/8"	6-5/8"	6-3/8"	6-1/4"	6-1/8"	5-7/8"	5-3/4"	5-5/8"	
	8'	1'3-3/4"	1'3-1/8"	1'25/8"	1'2"	1'2-1/2"	1'1-1/8"	1'0-5/8"	1'0-1/4"	11-1/2"	11-1/2"	11-1/8"	10-7/8"	10-1/2"	10-1/4"	10"	
		40' 0"	41' 0"	42' 0"	43' 0"	44' 0"	45' 0"	46' 0"	47' 0"	48' 0"	49' 0"	50' 0"	51' 0"	52' 0"	53' 0"	54' 0"	
	2'	5/8"	5/8"	5/8"	5/8"	5/8"	5/8"	1/2"	1/2"	1/2"	1/2"	1/2"	1/2"	1/2"	1/2"	1/2"	
	4'	2-3/8"	2-3/8"	2-3/8"	2-1/4"	2-1/8"	2-1/8"	2-1/8"	2-1/8"	2"	2"	2"	1-7/8"	1-7/8"	1-3/4"	1-3/4"	
	6'	5-1/2"	5-3/8"	5-1/4"	5-1/8"	5"	4-7/8"	4-3/4"	4-5/8"	4-1/2"	4-1/2"	4-3/8"	4-1/4"	4-1/4"	4-1/4"	4"	
	8'	9-3/4"	9-1/2"	9-1/4"	9"	8-7/8"	8-5/8"	8-1/2"	8-1/4"	8-1/8"	7-7/8"	7-3/4"	7-5/8"	7-1/2"	7-3/8"	7-1/8"	
		55' 0"	56' 0"	57' 0"	58' 0"	59' 0"	60' 0"	61' 0"	62' 0"	63' 0"	64' 0"	65' 0"	66' 0"	67' 0"	68' 0"	69' 0"	
	2'	1/2"	1/2"	1/2"	1/2"	1/2"	3/8"	3/8"	3/8"	3/8"	3/8"	3/8"	3/8"	3/8"	3/8"	3/8"	3/8"
	4'	1-3/4"	1-3/4"	1-3/4"	1-3/4"	1-5/8"	1-5/8"	1-5/8"	1-5/8"	1-1/2"	1-1/2"	1-1/2"	1-1/2"	1-1/2"	1-1/2"	1-3/8"	
	6'	4"	3-7/8"	3-7/8"	3-3/4"	3-3/4"	3-5/8"	3-5/8"	3-1/2"	3-1/2"	3-3/8"	3-3/8"	3-1/4"	3-1/4"	3-1/4"	3-1/8"	
	8'	7"	6-7/8"	6-3/4"	6-5/8"	6-5/8"	6-1/2"	6-3/8"	6-1/4"	6-1/8"	6"	6"	5-7/8"	5-3/4"	5-3/4"	5-5/8"	
	70' 0"	71' 0"	72' 0"	73' 0"	74' 0"	75' 0"	76' 0"	77' 0"	78' 0"	79' 0"	80' 0"	81' 0"	82' 0"	83' 0"	84' 0"		
2'	3/8"	3/8"	3/8"	3/8"	3/8"	3/8"	3/8"	3/8"	3/8"	3/8"	3/8"	3/8"	3/8"	3/8"	3/8"	3/8"	
4'	1-3/8"	1-3/8"	1-3/8"	1-3/8"	1-3/8"	1-1/4"	1-1/4"	1-1/4"	1-1/4"	1-1/4"	1-1/4"	1-1/4"	1-1/4"	1-1/4"	1-1/8"		
6'	3-1/8"	3-1/8"	3"	3"	3"	2-7/8"	2-7/8"	2-7/8"	2-3/4"	2-3/4"	2-3/4"	2-3/4"	2-5/8"	2-5/8"	2-5/8"		
8'	5-1/2"	5-1/2"	5-3/8"	5-1/4"	5-1/4"	5-1/8"	5-1/8"	5"	5"	4-7/8"	4-7/8"	4-3/4"	4-3/4"	4-5/8"	4-5/8"		
	85' 0"	86' 0"	87' 0"	88' 0"	89' 0"	90' 0"	91' 0"	92' 0"	93' 0"	94' 0"	95' 0"	96' 0"	97' 0"	98' 0"	99' 0"		
2'	3/8"	1/4"	1/4"	1/4"	1/4"	1/4"	1/4"	1/4"	1/4"	1/4"	1/4"	1/4"	1/4"	1/4"	1/4"	1/4"	
4'	1-1/8"	1-1/8"	1-1/8"	1-1/8"	1-1/8"	1-1/8"	1-1/8"	1-1/8"	1-1/8"	1"	1"	1"	1"	1"	1"	1"	
6'	2-5/8"	2-1/2"	2-1/2"	2-1/2"	2-1/2"	2-3/8"	2-3/8"	2-3/8"	2-3/8"	2-3/8"	2-1/4"	2-1/4"	2-1/4"	2-1/4"	2-1/4"	2-1/4"	
8'	4-1/2"	4-1/2"	4-1/2"	4-3/8"	4-3/8"	4-1/4"	4-1/4"	4-1/4"	4-1/8"	4-1/8"	4-1/8"	4"	4"	4"	3-7/8"		
	100' 0"	105' 0"	110' 0"	115' 0"	120' 0"	125' 0"	130' 0"	135' 0"	140' 0"	145' 0"	150' 0"	155' 0"	160' 0"	165' 0"	170' 0"		
2'	1/4"	1/4"	1/4"	1/4"	1/4"	1/4"	1/4"	1/4"	1/4"	1/4"	1/4"	1/4"	1/8"	1/8"	1/8"	1/8"	
4'	1"	1"	7/8"	7/8"	7/8"	3/4"	3/4"	3/4"	3/4"	3/4"	5/8"	5/8"	5/8"	5/8"	5/8"	5/8"	
6'	2-1/4"	2-1/8"	2"	1-7/8"	1-7/8"	1-3/4"	1-3/4"	1-5/8"	1-5/8"	1-1/2"	1-1/2"	1-3/8"	1-3/8"	1-3/8"	1-1/4"		
8'	3-7/8"	3-3/4"	3-1/2"	3-3/8"	3-1/4"	3-1/8"	3"	2-7/8"	2-3/4"	2-3/4"	2-5/8"	2-1/2"	2-3/8"	2-3/8"	2-1/4"		
	175' 0"	180' 0"	185' 0"	190' 0"	195' 0"	200' 0"	210' 0"	220' 0"	230' 0"	240' 0"	250' 0"						
2'	1/8"	1/8"	1/8"	1/8"	1/8"	1/8"	1/8"	1/8"	1/8"	1/8"	1/8"						
4'	5/8"	5/8"	1/2"	1/2"	1/2"	1/2"	1/2"	1/2"	3/8"	3/8"	3/8"						
6'	1-1/4"	1-1/4"	1-1/4"	1-1/8"	1-1/8"	1-1/8"	1"	1"	1"	7/8"	7/8"						
8'	2-1/4"	2-1/8"	2-1/8"	2"	2"	2"	1-7/8"	1-3/4"	1-5/8"	1-5/8"	1-1/2"						

877 276-7876

Customer Service Representatives
7:45 a.m. to 5:00 p.m. EST
Monday through Friday

TechLine – Technical information, detail drawings, CAD design assistance, installation information, other technical services – 8:00 a.m. to 5:30 p.m. EST, Monday through Friday. FAX 1 800 572-8324 or email: techline@armstrongceilings.com

armstrongceilings.com/commercial

Latest product news
Standard and custom product information
Online catalog
CAD, Revit®, SketchUp® files
A Ceiling for Every Space® Visual Selection Tool
Product literature and samples – express service or regular delivery
Contacts – reps, where to buy, who will install

YOU INSPIRE™ SOLUTIONS CENTER

1 800 988-2585
email: solutionscenter@armstrongceilings.com
armstrongceilings.com/youinspire

Design Assistance

Collaborative design
Detail drawings
Specifications
Planning and budgeting

Pre-construction Assistance

Layout drawings for standard and premium products
Project installation recommendations
Contractor installation assistance

you inspire™
solutions center

helping to bring your one-of-a-kind ideas to life

Inspiring Great Spaces® is a trademark of AFI Licensing LLC; Lutron® is a registered trademark of Lutron Electronics Co., Inc. All other trademarks used herein are the property of AFI Licensing LLC and/or its affiliates
© 2019 AFI Licensing LLC • Printed in the United States of America

TechLine / 877 276-7876
armstrongceilings.com/drywall

Inspiring Great Spaces®

Armstrong®
CEILING SOLUTIONS