

# TECTUM® Direct-Attach

Ceiling & Wall Panels  
coarse texture

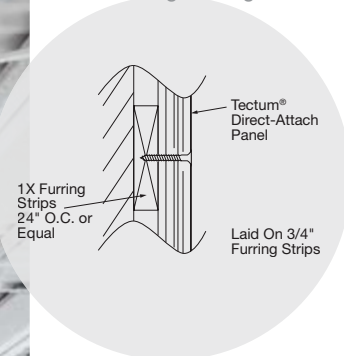


**SUSTAIN®**  
High Performance  
Sustainable  
Ceiling Systems

CAD/Revit® drawings at:  
[armstrongceilings.com](http://armstrongceilings.com)



Tectum® Direct-Attach ceiling panels in White



plus capabilities  
to do more

[armstrongceilings.com/capabilities](http://armstrongceilings.com/capabilities)  
See more photos at:  
[armstrongceilings.com/photogallery](http://armstrongceilings.com/photogallery)

Tectum® Direct-Attach ceiling and wall panels provide durable, sustainable, acoustical options for a wide variety of applications.

## KEY SELECTION ATTRIBUTES



Now you can install 1" thick Tectum® on Trusses and I-Beams for added acoustics while maintaining an exposed structure visual on the deck



Tectum panels are Living Product Imperative Certified by the International Living Future Institute – 1" panels in White and Natural only  
Tectum panels are part of the Sustain® portfolio and meet the most stringent sustainability compliance standards today – 1" panels in White and Natural only

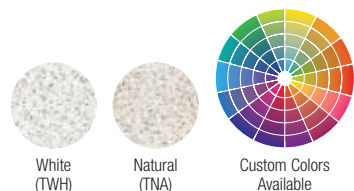
- Now, long edges beveled, short edges beveled available as a standard option
- Great retrofit solution for noise reduction
- Excellent noise absorption – NRC up to 0.85 (1" panel, C-40 Mounting)
- Can be field painted up to 6 times without impacting acoustic or fire performance
- Variety of made-to-order color options available

- Can be mechanically fastened to a wide variety of surfaces including masonry, drywall, wood, trusses, I-Beams, and more

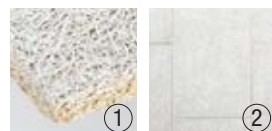
## TYPICAL APPLICATIONS

- Gymnasiums
  - Auditoriums
  - Multi-purpose Spaces
  - Exposed Structures
  - Acoustical Retrofits
  - Education Spaces
  - Covered Exterior Applications\* (1-1/2" and 2" thick panels only)
  - Indoor Swimming Pools\* (1-1/2" and 2" thick panels only)
- \* Must maintain 1" air gap behind panel

**COLORS** Due to printing limitations, shade may vary from actual product.



## DETAILS

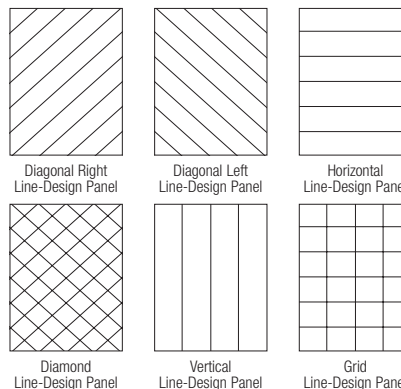


- Tectum® Direct-Attach Panel in White
- Tectum® Direct-Attach Panels in White

NOTE: Standard panel edges are unfinished. Painted panel edges available through special order. Custom color panel edges are fully painted.

## LINE DESIGN CAPABILITIES

Max panel size for line designs is 2' x 4'. Custom line designs available. Contact Architectural Specialties for more information.



# TECTUM® Direct-Attach Ceiling & Wall Panels coarse texture



Declare™  
Third Party Verified  
Living Product  
Imperative  
Certified



**SUSTAIN**  
High Performance  
Sustainable  
Ceiling Systems



The mark of responsible forestry

For LEED contribution visit  
armstrongceilings.com/greengenie



## VISUAL SELECTION

Edge Profile	Item No. ◆	Dimensions Nominal W x L x H (Inches)
<b>TECTUM® Direct-Attach Ceiling &amp; Wall Panels (FSC® Certified)</b>		
Long Edges Beveled/Short Edges Square	<b>8182T10</b> ___	23-3/4 x 48 x 1"
	<b>8181T10</b> ___	23-3/4 x 96 x 1"
	<b>8180T10</b> ___	47-3/4 x 96 x 1"
Long Edges Beveled/Short Edges Beveled*	<b>8175T10</b> ___	23-3/4 x 48 x 1"
	<b>8174T10</b> ___	23-3/4 x 96 x 1"
	<b>8173T10</b> ___	47-3/4 x 96 x 1"
<b>Other Size Panels</b>		W 23-3/4" – 48" L: 12" – 144" 1", 1-1/2", or 2" thickness

◆ When specifying or ordering, include the appropriate 3-digit color suffix TNA = Natural TWH = White (e.g. 8182T10 I W H)  
\* NOTE: Four-sided beveled edge panels are recommended in adjoining panel installations.

## PERFORMANCE SELECTION

Dots represent high level of performance.

Fire Rating	Light Reflect	Mold & Mildew Protection	Sag Resist	Certified Low VOC Emissions	Impact	Scratch	30-Yr Warranty
	(White Only)	BioBlock	Humi-Guard+		Durability		
Class A	Up to 0.75	•	•	•	•	•	•
Class A	Up to 0.75	•	•	•	•	•	•
Class A	Up to 0.75	•	•	•	•	•	•
Class A	Up to 0.75	•	•	•	•	•	•
Class A	Up to 0.75	•	•	•	•	•	•
Class A	Up to 0.75	•	•	•	•	•	•
Class A	Up to 0.75	–	–	–	•	•	•

## ACOUSTICAL INFORMATION

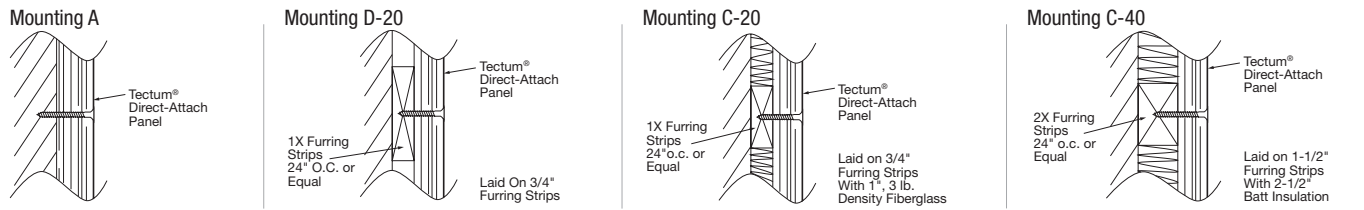
Panel Thickness	NRC	Mounting Method
1"	0.40	A
	0.45	D-20
	0.80	C-20
	0.85	C-40
I-Beam Application: 3.8 Sabins per 2' x 4' Tectum panel		
Truss Application: 2.9 Sabins per 2' x 4' Tectum panel		
1-1/2"	0.55	A
	0.60	D-20
	0.90	C-20
	0.95	C-40
2"	0.60	A
	0.70	D-20
	0.95	C-20
	1.00	C-40

## ACCESSORIES

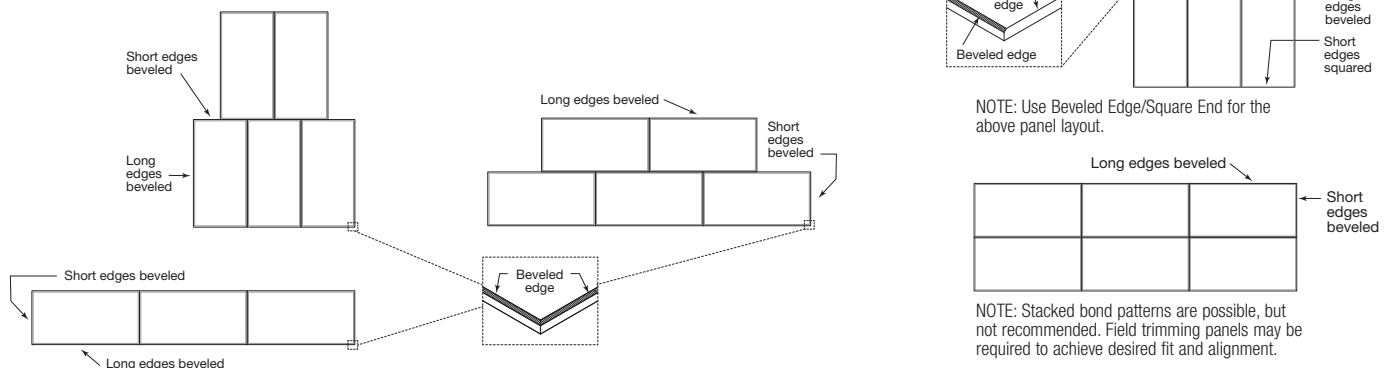
Item No. ◆	Description	Quantity
<b>1222</b>	Truss Fastening Kit – Field Paintable	20/ctn
<b>1222WH</b>	Truss Fastening Kit White	20/ctn
<b>1222BL</b>	Truss Fastening Kit Black	20/ctn
<b>8187L16</b> ___	#6 x1-5/8" Painted Head – Sharp point Screws	1000/ctn
<b>8188L16</b> ___	#6 x1-5/8" Painted Head – Drill point Screws	1000/ctn
<b>8189L22</b> ___	2-1/4" Painted Head – CMU Screws	500/ctn

◆ When specifying or ordering, include the appropriate 3-digit color suffix TNA = Natural; TWH = White (e.g. 8187L16 I W H)  
Consult installation instructions for fastener guidance.  
NOTE: Projects may require alternative screw lengths and types depending on site conditions. Please consult installation instructions for guidance.

## ACOUSTICAL MOUNTING METHODS



## EDGE DETAIL RECOMMENDATIONS



NOTE: Use Beveled Edge/Beveled End panels for all adjoining panel installations.



# TECTUM® Direct-Attach

## Ceiling & Wall Panels

### coarse texture



Declare™  
Third Party Verified  
Living Product  
Imperative  
Certified



**SUSTAIN®**  
High Performance  
Sustainable  
Ceiling Systems



The mark of  
responsible forestry

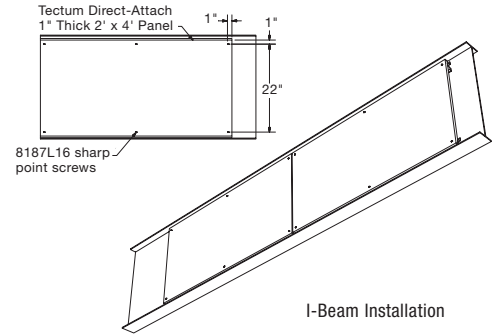
For LEED contribution visit  
[armstrongceilings.com/greengenie](http://armstrongceilings.com/greengenie)

LEED®	energy management	construction waste mgmt	regional materials	design for flexibility	EPD	recyclable/extended producer resp.	biobased materials	FSC (for wood)	recycled content	sourcing of raw materials	material ingredient reporting	low emitting materials	lighting quality	acoustics
-------	-------------------	-------------------------	--------------------	------------------------	-----	------------------------------------	--------------------	----------------	------------------	---------------------------	-------------------------------	------------------------	------------------	-----------

LOCATION DEPENDENT



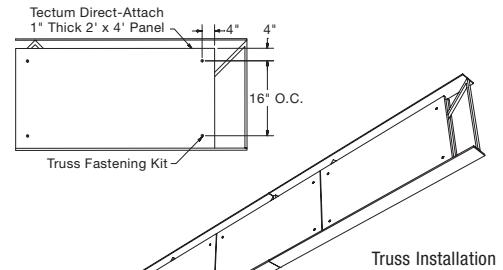
Tectum® Direct-Attach ceiling panels in White I-Beam installation



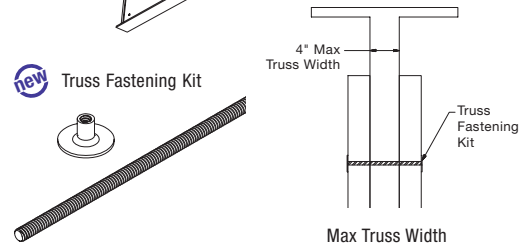
I-Beam Installation



Tectum® Direct-Attach panels with Black truss fastening



Truss Installation



Max Truss Width

## PHYSICAL DATA

### Material

#### FSC® Certified

Cementitious Wood Fiber; FSC®-certified (COC-003601). For more information about FSC®-certified fire-retardant products, or to view our FSC®-certification letter, contact TechLine at 1 877 276-7876.

#### Surface Finish

Factory-applied latex paint with Silicate surface coating for abuse resistance. Natural is unpainted.

#### Fire Performance

Class A per IBC. Flame Spread Index 25 or less and Smoke Developed Index 50 or less when tested in accordance with ASTM E84.

CAN/ULC S102 surface burning characteristics. Flame Spread Index of 25 or less and Smoke Developed Index of 50 or less.

#### VOC Emissions

Third-party certified compliant with California Department of Public Health CDPH/EHLB/Standard Method Version 1.1, 2010. This standard is the guideline for low emissions in LEED®, CalGreen Title 24, ANSI/ASHRAE/USGBC/IES Standard 189; ANSI/GBI Green Building Assessment Protocol.

Tectum® panels meet CDPH guidelines in enclosed office at 50% wall coverage. View certificate details at [armstrongceilings.com/tectum](http://armstrongceilings.com/tectum).

### Humidity/Sag Resistance

HumiGuard® Plus performance panels are recommended for areas subject to high humidity, up to, but not including, standing water and outdoor applications.

### Mold/Mildew Protection

Ceiling panels with BioBlock® performance resist the growth of mold and mildew.

### Installation Considerations

Panels must be mechanically attached to approved substrate per installation instructions. To achieve proper finished visual panels should be installed in an ashlar pattern. Four-sided beveled edge panels are recommended in adjoining panel installations.

Use caution and wear appropriate hand, eye, and dust mask protection when cutting and installing Tectum® panels. Refer to installation instructions for complete details and cutting recommendations.

### Primary (Embodied) Energy

See all LCA information on our EPDs.

### Application Considerations

Color variation among panels is common due to the natural characteristics of the wood on White and Natural panels.

Wood fibers may appear orange on Natural colored panels due to the characteristics of the wood.

### Design Considerations

For walls that may experience condensation or moisture, such as uninsulated exterior walls, D- or C- mounting is required to create a gap between the structure and the panel. Max panel size for Truss and I-Beam application is 2' x 4' x 1".

### Design Support

Project management assistance is available by calling TechLine at 1 877 276-7876.

### Seismic Restraint

Tectum Direct-Attach panels are approved for application in all seismic areas when installed per the seismic guidelines in the Armstrong Ceilings Installation Instructions.

### Warranty

30-Year Warranty. Details at [armstrongceilings.com](http://armstrongceilings.com)

### Weight, Pcs and SF/Pallet

1" - 1.65 lbs/SF

1-1/2" - 2.53 lbs/SF

2" - 3.3 lbs/SF

8180T10 - 36 pcs/pallet; 1,152 SF/pallet

8181T10 - 72 pcs/pallet; 1,152 SF/pallet

8182T10 - 72 pcs/pallet; 572 SF/pallet

8173T10 - 36 pcs/pallet; 1,152 SF/pallet

8174T10 - 72 pcs/pallet; 1,152 SF/pallet

8175T10 - 72 pcs/pallet; 572 SF/pallet

LEED® is a registered trademark of the U.S. Green Building Council  
Revit® is a registered trademark of Autodesk, Inc.

Declare™ is a service mark of International Living Future Institute  
FSC® is a registered trademark of FSC Forest Stewardship Council®, A.C., license code FSC-C007626. All other trademarks used herein are the property of AWI Licensing LLC and/or its affiliates.  
© 2019 AWI Licensing LLC Printed in the United States of America

513A

TechLine / 1 877 276-7876  
[armstrongceilings.com/tectum](http://armstrongceilings.com/tectum)

BPCS-5716-319

**Armstrong®**  
CEILING & WALL SOLUTIONS



WALLS