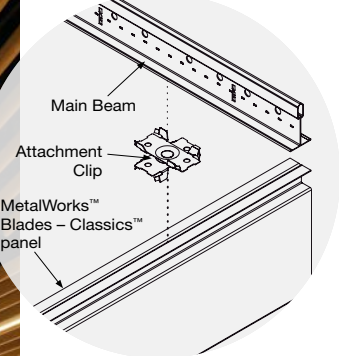
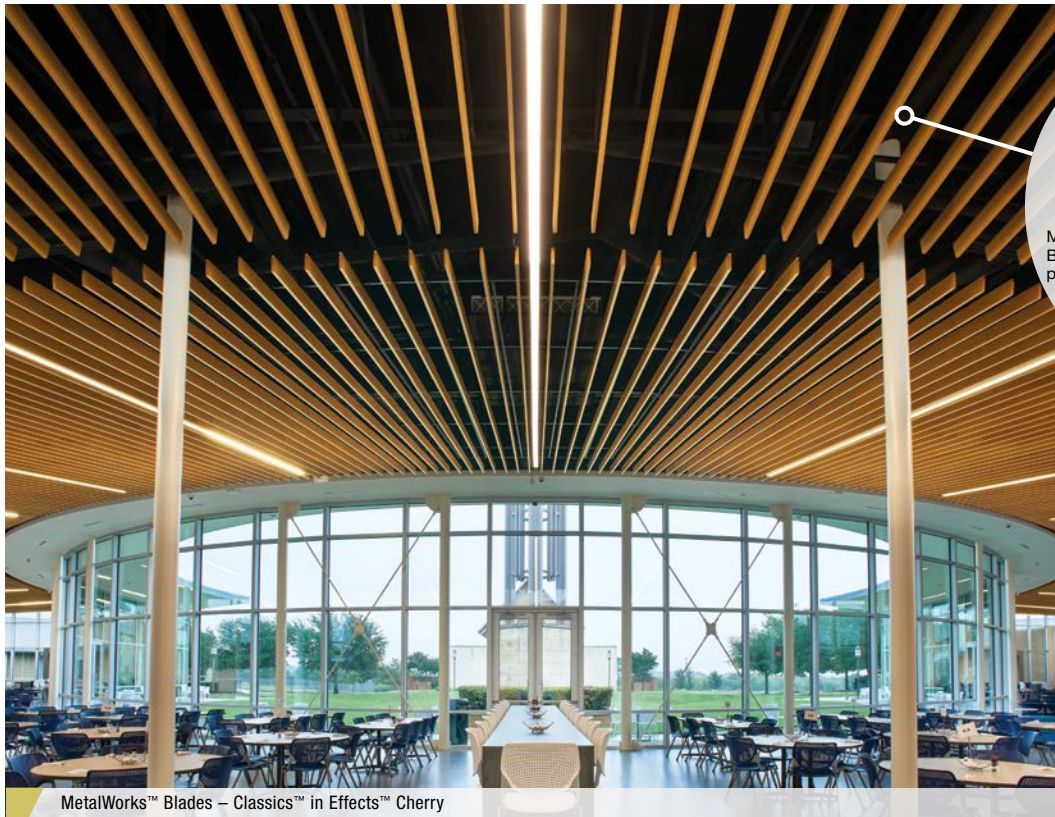


METALWORKS™ Blades – Classics™

Linear Panels with Acoustical Options
smooth texture

CAD/Revit® drawings at:
armstrongceilings.com



plus capabilities
to do more

armstrongceilings.com/capabilities
See more photos at:
armstrongceilings.com/photogallery

MetalWorks™ Blades – Classics™ in Effects™ Cherry

Durable metal vertical panels in upscale linear designs are available in acoustical or non-acoustical options.

KEY SELECTION ATTRIBUTES

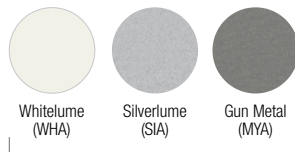
- Now available in 23" and 47" lengths for creative design layouts
- Blades™ panels come with two factory-installed end caps, one end cap, or no end caps
 - Join several Blades™ panels together to create a longer run
 - Use double end capped panel for access areas
 - Introducing the Field Cut End Cap for maximum jobsite flexibility (sold separately)
- Six Wood Looks Effects™ finishes
- Create acoustical or non-acoustical upscale linear designs
- Blades panel spacing is variable to accommodate a variety of design and acoustical needs
- MetalWorks™ Blades – Classics™ panels are part of the Sustain™ portfolio and meets the most stringent sustainability compliance standards today
- Fast, easy installation with standard Prelude® XL® 15/16" or 360° painted suspension systems



Field Cut End Cap shown inserted and uninstalled.

COLORS

Due to printing limitations, shade may vary from actual product.



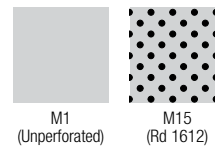
Part of the Sustain® portfolio, meeting sustainability compliance standards



Custom Colors Available

PERFORATION OPTIONS

(1:2 scale shown)



Additional sizes and colors may be available. For more information, visit our web site at armstrongceilings.com/metalworks or contact Architectural Specialties TechLine at 1 877 276-7876 for custom panel lengths.

METALWORKS™ Blades – Classics™

Linear Panels with Acoustical Options
smooth texture

Declare™
Living Building
Challenge Compliant

SUSTAIN™
High Performance
Sustainable
Ceiling Systems
Unperforated (M1)



UP TO 80% RECYCLED CONTENT

For LEED contribution contact TechLine

LEED®	energy management	construction waste to mgmt	regional materials	design for flexibility	EPD	recyclable/extended producer resp.	bio-based materials	recycled content	sourcing of raw materials	material ingredient reporting	low emitting materials	lighting quality	acoustics
-------	-------------------	----------------------------	--------------------	------------------------	-----	------------------------------------	---------------------	------------------	---------------------------	-------------------------------	------------------------	------------------	-----------

VISUAL SELECTION

PERFORMANCE

Dots represent high level of performance.

Edge Profile	Item No. ♦	Description/Dimensions L x W x D (Inches) Custom Sizes Available		Sabins/Panel†	Wash	Scrub	Soil
METALWORKS™ Blades – Classics™							
	8157 new	Vertical panel with caps on both ends 94-1/2 x 4 x 1"		2.5	•	•	•
	8156 new	Vertical panel with caps on both ends 46-1/2 x 4 x 1"		1.2	•	•	•
	8155 new	Vertical panel with caps on both ends 22-1/2 x 4 x 1"		0.6	•	•	•
	7202	Vertical panel with cap on one end 96 x 4 x 1"		2.5	•	•	•
	7203	Vertical panel with no end caps 96 x 4 x 1"		2.5	•	•	•

♦ When specifying or ordering, include the appropriate perforation and color suffix with the item number (e.g., 7201 M 1 5 E X M P).

† With M15 perforation

NOTE: 6" panel depth option available as a custom product.

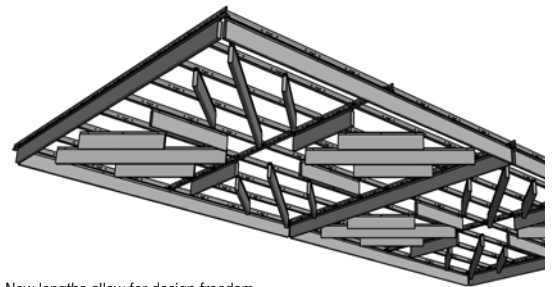
Additional custom options include 12" x 72" and 24" x 72" panels in lengths up to 144".

ACCESSORIES

Item Number	Description	Pieces/Carton
7204 ♦♦	MetalWorks™ Blades – Classics™ Attachment Clip (SS – Stainless Steel and KO – Black Oxide)	100
7205	MetalWorks™ Blades – Classics™ Alignment Device	24
8158 ♦	MetalWorks™ Blades – Classics™ 1' x 4" Field Cut End Cap	10

♦ When specifying or ordering, include the color suffix with the item number (e.g., 7201 M 1 5 E X M P).

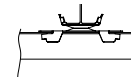
♦♦ When specifying or ordering, include the appropriate 2-letter color suffix, SS – Stainless Steel or KO – Black Oxide, (e.g., 7204 S S).



New lengths allow for design freedom. See other possible design layouts in our MetalWorks™ Blades technical guide.

SUSPENSION SYSTEMS

15/16"



Prelude® XL® suspension system (Pgs. 458-459)
(Black) or 360° Painted Grid (Pg. 450)

PHYSICAL DATA

Material
Aluminum – thickness 0.032"

Surface Finish
Factory-applied polyester paint. Available in White, Silver Grey, Gun Metal Grey, and Effects™ Wood Looks powder-coated, post-production finishes. Custom colors also available. Contact TechLine for custom color matching requests at 1 877 276-7876.

Fire Performance
Tested per ASTM E84. Flame Spread Index 25 or less. Smoke Developed Index 50 or less.

CAN/ULC S102 surface burning characteristics. Flame Spread Rating 25 or less. Smoke Developed Classification 50 or less.

Acoustical Options

Perforated panels are supplied with a black fiberglass fleece acoustic infill bag to absorb sound (varies by Blades™ panel length).

Design Support

Project management assistance is available by calling TechLine customer support at 1 877 276-7876.

Design Considerations

When installed, panels hang 4-7/8" below grid face. Panels can be supported by intermediate duty main beams or cross tees, with 2 attachment clips per panel. See MetalWorks™ Blades – Classics™ brochure online for additional design lay-outs.

MetalWorks Blades – Classics can be cut in the field only when using the Field Cut End Cap. See installation instructions for details.

Seismic Restraint

MetalWorks™ Blades – Classics™ are approved for application in all seismic areas when installed per the seismic guidelines in the Armstrong Ceilings installation instructions.

Warranty

Details at armstrongceilings.com

Weight; Square Feet/Carton

1.43 lbs/LF

TechLine / 1 877 276-7876
armstrongceilings.com/blades
(search: metalworks blades classics)

BPCS-5092-119

LEED® is a registered trademark of the U.S. Green Building Council
Declare™ is a service mark of The International Living Future Institute
Revit® is a registered trademark of Autodesk, Inc. All other trademarks used herein are the property of AWI Licensing LLC and/or its affiliates
© 2019 AWI Licensing LLC Printed in the United States of America

Armstrong®
CEILING & WALL SOLUTIONS