

# METALWORKS™ Mesh

Lay-in & Tegular



MetalWorks™ Mesh Linear Channeled panels in Antique Nickel with Prelude® 360° 15/16" suspension system (Pg. 450)



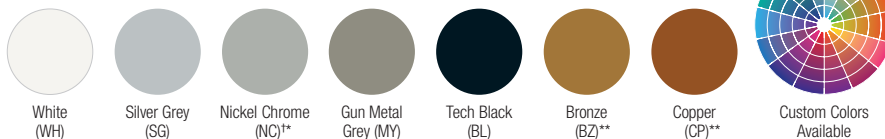
armstrongceilings.com/capabilities  
See more photos at:  
armstrongceilings.com/photogallery

Now get MetalWorks™ Mesh panels with updated patterns and tegular edges.

## KEY SELECTION ATTRIBUTES

- Thirty-two standard designs on 24" x 24" ceiling panels, including 8 new Tegular panels
- 10 standard colors, including new Antique Nickel finish, plus custom colors available
- Variety of standard colors, plus custom colors available
- Flexible design – use as accent borders, clouds, or full ceilings
- Simple installation – panels lay in standard 15/16" suspension system with borders or finished edges
- Can be used in Formations™ clouds
- Black acoustic panels provide sound absorption and hide plenum

## MESH FINISHES – Powder Coated

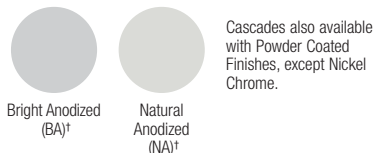


Due to printing limitations, shade may vary from actual product.

- \* Not available on Cascades
- \*\* Premium options – may have longer lead times
- \*\*\* Not available on Expanded Metal or Cascades

† Not available as a coordinating suspension system color

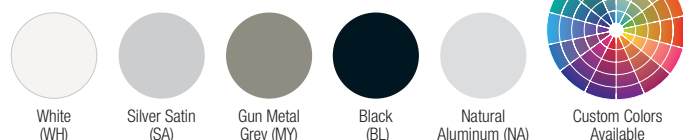
## MESH FINISHES – Anodized for Cascades



## MESH FINISHES – Plated Antique Nickel



## COORDINATING SUSPENSION SYSTEM COLORS



NOTE: Accessories and clips (such as BERC2 clip) can be specified to color match the suspension system.

# METALWORKS™ Mesh

## Lay-in & Tegular

UP TO **25%** RECYCLED CONTENT

For LEED contribution contact TechLine

LEED®	energy management	construction waste to reuse	regional materials	design for flexibility	EPD	recyclable/extended producer resp.	bio-based materials	recycled content	sourcing of raw materials	material ingredient reporting	low emitting materials	lighting quality	acoustics
LOCATION DEPENDENT													
WITH INFILL PANEL													

### WOVEN WIRE (1:6 scale shown)

#### Square Weave – Square Lay-in



**1Cell**  
Item 6415AM  
Spacing: 0.86" x 0.86"  
Wire Diameter: 0.11"  
% Open Area: 76%



**2Cell**  
Item 6416AM  
Spacing: 1.39" x 1.39"  
Wire Diameter: 0.135"  
% Open Area: 82%



**Twin Round Narrow**  
Item 6129AM  
Spacing: 0.25"/0.57"/  
0.25"/0.57"  
Wire Diameter: 0.80"  
% Open Area: 61%



**Twin Flat Narrow**  
Item 6412AM  
Spacing: 0.25"/0.75"/  
0.25"/0.75"  
Wire Diameter: 0.92"  
% Open Area: 53%



**Twin Flat Wide**  
Item 6410AM  
Spacing: 0.75"/2.25"/  
0.75"/2.25"  
Wire Diameter: 0.375" x 0.60"  
% Open Area: 56%



**Single Flat Narrow**  
Item 6411AM  
Spacing: 0.25" x 0.25"  
Wire Diameter: 0.92"  
% Open Area: 21%



**Single Flat Wide**  
Item 8199AM  
Wire Dimension: 0.375" x 0.60"  
% Open Area: 51%



**Quad Round Narrow**  
Item 8198AM  
Wire Diameter: 0.135"  
% Open Area: 77%



**Over-Under Square**  
Item 8200AM  
Wire Dimension: 0.250" x 0.063"  
% Open Area: 34%

#### Linear Weave – Square Lay-in



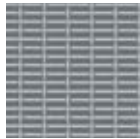
**Single Mini**  
Item 6413AM  
Spacing: 0.32" x 0.32"  
Wire Diameter: 0.63"  
% Open Area: 57%



**Single Narrow**  
Item 6414AM  
Spacing: 0.105"  
Wire Diameter: 1.105"  
% Open Area: 52%



**Triple Narrow**  
Item 6128AM  
Spacing: 3.15" x 3.15"  
Wire Diameter: 0.12"  
% Open Area: 62%



**Fine Rectangular**  
Item 8203AM  
Wire Dimension: 0.80"  
% Open Area: 47%

#### Linear Weave – Tegular



**Fine Rectangular**  
Item 8195AM  
Wire Diameter: 0.80"  
% Open Area: 47%

#### Diamond Weave – Square Lay-in

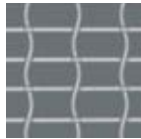


**1Diamond**  
Item 6417AM  
Spacing: 0.86" x 0.86"  
Wire Diameter: 0.11"  
% Open Area: 76%

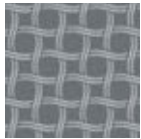


**2Diamond**  
Item 6418AM  
Spacing: 1.33" x 1.33"  
Wire Diameter: 0.14"  
% Open Area: 82%

#### Round Weave – Square Lay-in

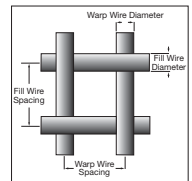


**Round Rectangular**  
Item 8201AM  
Wire Diameter: 0.105"  
% Open Area: 75%



**Twin Circle**  
Item 8202AM  
Wire Diameter: 0.80"  
% Open Area: 41%

#### Wire Key

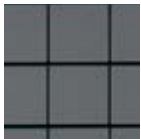


### WELDED WIRE (Actual 1:6 scale shown)

#### Welded Wire – Square Lay-in



**1Cell**  
Item 6131AM  
Spacing: 1.0" x 1.0"  
Wire Diameter: 0.120"  
% Open Area: 76%

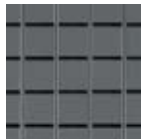


**2Cell**  
Item 6132AM  
Spacing: 2.0" x 2.0"  
Wire Diameter: 0.120"  
% Open Area: 88%



**3Cell**  
Item 6133AM  
Spacing: 3.0" x 3.0"  
Wire Diameter: 0.120"  
% Open Area: 92%

#### Welded Wire – Tegular



**1Cell**  
Item 8190AM  
Wire Diameter: 0.120"/.312"  
Tegular Edge Rod  
% Open Area: 78%



**2Cell**  
Item 8191AM  
Wire Diameter: 0.120"/.312"  
Tegular Edge Rod  
% Open Area: 88%



**Linear Channel**  
Item 8196AM  
Wire Diameter: 0.192"  
Wire Dimension: 0.044" Channel  
% Open Area: 50%



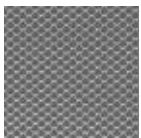
**Linear Channel with Center Hole**  
Item 8197AM  
Wire Diameter: 0.192"  
Wire Dimension: 0.044" Channel  
% Open Area: 60%

### EXPANDED METAL (Actual 1:6 scale shown)

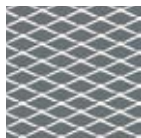
#### Expanded Metal – Square Lay-in



**Lattice**  
Item 6136AM  
Spacing: 0.036"  
% Open Area: 73%



**Scallops**  
Item 6137AM  
Spacing: 0.048"  
% Open Area: 61%



**Trellis**  
Item 6138AM  
Spacing: 0.060"  
% Open Area: 70%

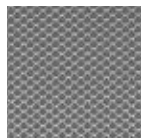


**Cascades**  
Item 6139AM  
Spacing: 0.080"  
% Open Area: 23%

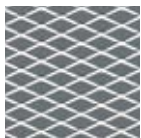
#### Expanded Metal – Tegular



**Lattice**  
Item 8192AM  
Wire Diameter: N/A  
% Open Area: 73%

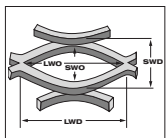


**Scallops**  
Item 8193AM  
Wire Diameter: N/A  
% Open Area: 61%



**Trellis**  
Item 8194AM  
Wire Diameter: N/A  
% Open Area: 70%

#### Expanded Metal Key



**SWD** – Short Way of Design  
**LWD** – Long Way of Design






For detailed pattern information including spacing wire diameters and open area, refer to the MetalWorks Mesh brochure BPCS-3713.



# METALWORKS™ Mesh

## Lay-in & Tegular

### VISUAL SELECTION

Edge Profile	Item Number ♦ Description	Panel Interior Opening Dimensions W x L x H (Inches)
<b>WOVEN WIRE</b>		
<b>Square Weave</b>		
Square Lay-in	<b>6129AM</b> __ Twin Round Narrow	24 x 24 x 1/4"
	<b>6410AM</b> __ Twin Flat Wide	24 x 24 x 1/4"
	<b>6411AM</b> __ Single Flat Narrow	24 x 24 x 1/4"
	<b>6412AM</b> __ Twin Flat Narrow	24 x 24 x 1/4"
	<b>6415AM</b> __ 1Cell	24 x 24 x 1/4"
	<b>6416AM</b> __ 2Cell	24 x 24 x 1/4"
	<b>8199AM</b> __ Single Flat Wide	24 x 24 x 1/4"
	<b>8198AM</b> __ Quad Round Narrow	24 x 24 x 1/4"
	<b>8200AM</b> __ Over-Under Square	24 x 24 x 1/4"
<b>Linear Weave</b>		
Square Lay-in	<b>6413AM</b> __ Single Mini	24 x 24 x 1/4"
	<b>6414AM</b> __ Single Narrow	24 x 24 x 1/4"
	<b>6128AM</b> __ Triple Narrow	24 x 24 x 1/4"
	<b>8203AM</b> __ Fine Rectangular	24 x 24 x 1/4"
<b>Linear Weave</b>		
Square Tegular	<b>8195AM</b> __ Fine Rectangular	24 x 24 x 1/4"
		
<b>Diamond Weave</b>		
Square Lay-in	<b>6417AM</b> __ 1Diamond	24 x 24 x 1/4"
	<b>6418AM</b> __ 2Diamond	24 x 24 x 1/4"
<b>Round Weave</b>		
Square Lay-in	<b>8201AM</b> __ Round Rectangular	24 x 24 x 1/4"
	<b>8202AM</b> __ Twin Circle	24 x 24 x 1/4"




♦ When specifying or ordering, include the appropriate 2-letter color suffix with the item number (e.g., 6129AM **S** **G**).  
NOTE: For acoustical infill panel information, see pgs. 156-157.

### PERFORMANCE

Dots represent high level of performance.

% Open Area	Fire Rating	Wash	Scrub	Impact	Soil
Durability					
61%	Class A	•	•	•	•
56%	Class A	•	•	•	•
21%	Class A	•	•	•	•
53%	Class A	•	•	•	•
76%	Class A	•	•	•	•
82%	Class A	•	•	•	•
51%	Class A	•	•	•	•
77%	Class A	•	•	•	•
34%	Class A	•	•	•	•
57%	Class A	•	•	•	•
52%	Class A	•	•	•	•
62%	Class A	•	•	•	•
47%	Class A	•	•	•	•
47%	Class A	•	•	•	•
76%	Class A	•	•	•	•
82%	Class A	•	•	•	•
75%	Class A	•	•	•	•
41%	Class A	•	•	•	•

### ACOUSTICAL INFORMATION

% Open Area	Infill Panel Item Number	NRC
<b>21% Open Area</b> 	Single Flat Narrow	5823 0.85
		1713BL 0.70
		2820BK 0.85
<b>53% Open Area</b> 	Twin Flat Narrow	5823 0.85
		1713BL 0.70
		2820BK 0.85
<b>76% Open Area</b> 	1 Cell	5823 0.85
		1713BL 0.75
		2820BK 0.85

NOTE: Patterns with similar % open area will achieve similar acoustic results.

### ACOUSTICAL PANEL INSTALLATION



MetalWorks™ Mesh ceiling panel with Calla® 2820BK infill panel for high NRC performance



# METALWORKS™ Mesh





## Lay-in & Tegular

UP TO **25%** RECYCLED CONTENT

For LEED contribution contact TechLine

LEED®	energy management	construction waste mgmt	regional materials	design for flexibility	EPD	recyclable/extended producer resp.	bio-based materials	recycled content	sourcing of raw materials	material ingredient reporting	low emitting materials	lighting quality	acoustics
-------	-------------------	-------------------------	--------------------	------------------------	-----	------------------------------------	---------------------	------------------	---------------------------	-------------------------------	------------------------	------------------	-----------

### VISUAL SELECTION

Edge Profile	Item Number ♦ Description	Panel Dimensions W x L x H (Inches)
<b>WELDED WIRE</b>		
	<b>6131AM</b> __ 1Cell	24 x 24 x 1/4"
	<b>6132AM</b> __ 2Cell	24 x 24 x 1/4"
	<b>6133AM</b> __ 3Cell	24 x 24 x 1/4"
	<b>8190AM</b> __ 1Cell	24 x 24 x 1/4"
	<b>8191AM</b> __ 2Cell	24 x 24 x 1/4"
	<b>8196AM</b> __ Linear Channeled	24 x 24 x 1/4"
	<b>8197AM</b> __ Linear Channeled – Center Hole	24 x 24 x 1/4"
	<b>EXPANDED METAL</b>	
	<b>6136AM</b> __ Lattice	24 x 24 x 1/4" SWD 0.250", LWD 0.500"
	<b>6137AM</b> __ Scallops	24 x 24 x 1/4" SWD 0.295", LWD 0.394"
	<b>6138AM</b> __ Trellis	24 x 24 x 1/4" SWD 0.515", LWD 1.200"
	<b>6139AM</b> __ Cascades	24 x 24 x 1/4" SWD 0.950", LWD 2.000"
	<b>8192AM</b> __ Lattice	24 x 24 x 1/4"
	<b>8193AM</b> __ Scallops	24 x 24 x 1/4"
	<b>8194AM</b> __ Trellis	24 x 24 x 1/4"

♦ When specifying or ordering, include the appropriate 2-letter color suffix with the item number (e.g., 6129AM S G).  
 SWD = Short way of design LWD = Long way of design  
 NOTE: For acoustical infill panel information, see Pgs. 156-157.

### PERFORMANCE

Dots represent high level of performance.

% Open Area	Fire Rating	Wash	Scrub	Impact	Soil
78%	Class A	•	•	•	•
88%	Class A	•	•	•	•
92%	Class A	•	•	•	•
78%	Class A	•	•	•	•
88%	Class A	•	•	•	•
50%	Class A	•	•	•	•
60%	Class A	•	•	•	•
73%	Class A	•	•	•	•
61%	Class A	•	•	•	•
70%	Class A	•	•	•	•
23%	Class A	•	•	•	•
73%	Class A	•	•	•	•
61%	Class A	•	•	•	•
70%	Class A	•	•	•	•

### ACOUSTICAL INFORMATION

LOCATION DEPENDENT

% Open Area	Infill Panel Item Number	NRC
<b>21% Open Area</b>	Single Flat Narrow	5823 0.85
		1713BL 0.70
		2820BK 0.85
<b>53% Open Area</b>	Twin Flat Narrow	5823 0.85
		1713BL 0.70
		2820BK 0.85
<b>76% Open Area</b>	1 Cell	5823 0.85
		1713BL 0.75
		2820BK 0.85

NOTE: Patterns with similar 5 open area will achieve similar acoustic results.

### SUSPENSION SYSTEMS



(See Pgs. 391-392 for Prelude® XL® components.)  
 (See Pg. 383 for 360° Painted Grid components.)

### PHYSICAL DATA

#### Material

All items, except Cascades panels, are cold-rolled steel. Cascades panels are made of aluminum.

#### Surface Finish

All panels are available in a range of standard and custom smooth, factory-applied powder-coated finishes. Most panels can also be plated for an Antique Nickel finish which will have a variable patina for an authentic aged visual. The anodized finishes (BA, NA) are available on Cascades panels only.

#### Fire Performance

ASTM E84 and CAN/ULC S102. Flame Spread Index 25 or less. Smoke Developed Index 50 or less.

All MetalWorks™ Mesh panels are non-combustible.

As with other architectural features located at the ceiling, Mesh panels may obstruct or skew the planned fire sprinkler water distribution pattern, or possibly delay or accelerate the activation of the sprinkler or fire detection systems by channeling the heat from a fire either toward or away from the device.

For panels that do not meet the criteria for open-suspension system ceilings, as defined by NFPA 13,

a 24" x 24" mineral fiber panel should be placed on the back of the Mesh panel when installing the ceiling, with the sprinkler installed below both panels.

Designers and installers are advised to consult a fire protection engineer, NFPA 13, and local codes for guidance where automatic fire detection and suppression systems are present.

#### Acoustics Considerations

NRC-tested using white panels. Painted panels may experience a slight reduction in NRC due to color painting processes.

#### Design Considerations

For more open MetalWorks Mesh items where the suspension system may be visible through the panels, consider using a 360° Painted Grid System coordinated with the panel color.

Item 8196 should not be field cut. Use item 8197, with 5" center hole, for sprinklers, lighting, and other mechanicals. Additionally, care should always be taken when cutting metal. Please see installation instructions for specific guidance on each type of mesh panel.

#### Installation Considerations

Hold-Down Clips may be required in some installations (see pgs. 209-210).

The edges of MetalWorks™ Mesh panels feature unique detailing. Use caution and wear appropriate hand and eye protection when installing or cutting these metal panels. Refer to Installation Instructions BPLA-297075 at armstrongceilings.com/metalworks for details and cutting recommendations.

#### Warranty

Details at armstrongceilings.com

#### Weight/Panel (Bulk Packed)

6128AM – 4.2 lbs	8192AM – 1.9 lbs
6129AM – 6 lbs	8193AM – 2.3 lbs
6131AM – 4 lbs	8194AM – 3.0 lbs
6132AM – 2.3 lbs	8196AM – 7.9 lbs
6133AM – 1.6 lbs	8197AM – 7.3 lbs
6410AM – 4.8 lbs	8198AM – 4.8 lbs
6412AM – 4.8 lbs	8199AM – 6.5 lbs
6136AM – 1.8 lbs	8200AM – 8.1 lbs
6137AM – 2.8 lbs	8195AM – 7.4 lbs
6138AM – 1.7 lbs	8203AM – 7.0 lbs
6139AM – 2.1 lbs	8201AM – 4.5 lbs
8190AM – 4.4 lbs	8202AM – 7.7 lbs
8919AM – 3.2 lbs	

#### Minimum Order Quantity

100 Square Feet



METALWORKS™