

new METALWORKS™ Shapes for DESIGNFlex™

Tegular smooth texture



DESIGNFlex™ CEILING SYSTEMS



Personalize Your Design!

Mix and match different sizes, shapes, colors, and materials to reinvent your ceiling. More at: armstrongceilings.com/designflex



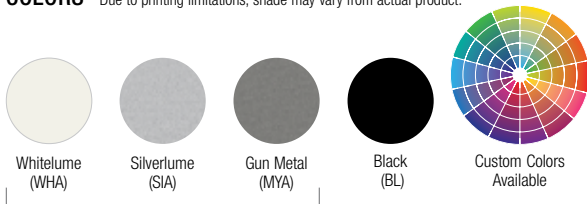
MetalWorks™ Shapes for DESIGNFlex™ with Suprafine® XM 9/16" suspension system (Pgs. 160-161)

Now, MetalWorks™ Shapes in 45° and 60° triangles, parallelograms, and trapezoids.

KEY SELECTION ATTRIBUTES

- DESIGNFlex™ options mean shapes, sizes, and colors
- Mix and match – Shapes also available with Calla®, Lyra®, Ultima®, and Optima® panels
- MetalWorks™ panels are part of the Sustain™ portfolio, and meet the most stringent sustainability compliance standards today
- Lighting and MEP integration with TechZone®, or with shaped lights and diffusers, available through one of our partner companies, or with standard modular and pendant lights
- Aluminum panels with exceptional durability – Washable, Scrubbable, Soil-resistant

COLORS Due to printing limitations, shade may vary from actual product.



Part of the Sustain portfolio, meeting sustainability compliance standards. (M1 – unperforated panels only)

PERFORATION OPTIONS (1:2 scale shown)



DETAILS



1. MetalWorks™ Shapes for DesignFlex™ Tegular in M1 unperforated

Tegular
smooth texture

Declare™
Living Building
Challenge Compliant

SUSTAIN™
High Performance
Sustainable
Ceiling Systems
Unperforated (M1)

UP TO 80% RECYCLED CONTENT

For LEED contribution contact TechLine

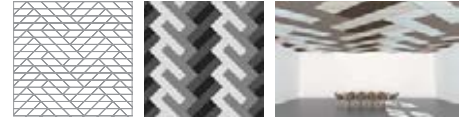
LEED	energy management	construction waste mgmt	regional materials	design for flexibility	EPD	recyclable/extended producer resp.	bio-based materials	recycled content	sourcing of raw materials	material ingredient reporting	low emitting materials	lighting quality	acoustics

LOCATION DEPENDENT

WITH INFILL PANEL

Start your design process with a visit to our online pattern gallery at: armstrongceilings.com/patterngallery

See dozens of pre-designed patterns and colors online in our pattern gallery. We've provided all of the details – from takeoffs showing 2' or 4' on-center spacing to panels, suspension, trims, and accessories. Installation instructions answer questions typically associated with unique ceiling installations. Lighting and air diffusers can also be easily integrated. If you can't find the ceiling pattern you envision for your next space online, call us and we'll help you create a design to personalize your space – 1 877 276-7876.



These 8 MetalWorks™ Shapes with Tegular edges are available for Suprafine® XM 9/16" suspension:

45° SHAPES

Triangles

2' Main Beam Spacing **8284M1** _ _ _ Triangle

Panel 5/16" thick

8285M1 _ _ _ Right Triangle

Panel 5/16" thick

Parallelograms

2' Main Beam Spacing **8287M1** _ _ _ Right Parallelogram

Panel 5/16" thick

8288M1 _ _ _ Left Parallelogram

Panel 5/16" thick

Trapezoids

No Trapezoids available in 45° shapes

60° SHAPES

Triangles

2' Main Beam Spacing **8290M1** _ _ _ Triangle

Panel 5/16" thick

Parallelograms

2' Main Beam Spacing **8292M1** _ _ _ Right Parallelogram

Panel 5/16" thick

8293M1 _ _ _ Left Parallelogram

Panel 5/16" thick

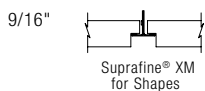
Trapezoids

2' Main Beam Spacing **8296M1** _ _ _ Trapezoid

Panel 5/16" thick

When specifying or ordering, include the appropriate perforation and color suffix with the item number (e.g. 8284M1 W H A).

SUSPENSION SYSTEMS



Suspension system is available in coordinating colors

PHYSICAL DATA

Material
Aluminum – thickness 0.040"

Surface Finish
Factory-applied polyester paint finish
Custom colors also available. Contact TechLine for custom color matching requests at 1 877 ARMSTRONG.

Fire Performance
ASTM E84 and CAN/ULC S102. Flame Spread Index 25 or less. Smoke Developed Index 50 or less.

ASTM E1264 Classification
Fire Class – Class A
Unperforated – Type XX, Pattern G
Perforated – Type XX, Pattern C

Installation Considerations
See installation instructions for bracket and perimeter solution guidelines.

Design Considerations
MetalWorks™ Shapes for DESIGNflex™ installation system based on parallel main beam spacing.
Silverlume and Gun Metal colors are directional and run parallel to base as shown on data page. This must be considered in ceiling layout plans for right triangle shape.
For optimum visual design, backlighting panels is not recommended.
For any color available contact: asquote@armstrongceilings.com

Seismic Restraint
Suprafine® XM for DESIGNflex™ Shapes suspension system have been engineered, tested, and approved for

use with DESIGNflex™ Shapes panels when installed per Armstrong Ceilings installation instructions.

Warranty
Details at armstrongceilings.com/warranty

Weight/Panel (Bulk Packed)
8284 – 2.2 lbs/SF
8285 – 1.1 lbs/SF
8287 – 4.4 lbs/SF
8288 – 4.4 lbs/SF
8290 – 1.1 lbs/SF
8292 – 2.2 lbs/SF
8293 – 2.2 lbs/SF
8296 – 3.3 lbs/SF



METALWORKS™ Shapes for DESIGNflex™

Tegular
smooth texture

Declare™
Living Building
Challenge Compliant

SUSTAIN™
High Performance
Sustainable
Ceiling Systems
Unperforated (M1)



UP TO **80%** RECYCLED CONTENT

LEED®

- energy management
- construction waste mgmt
- regional materials
- design for flexibility
- EPD
- recyclable/extended producer resp.
- biobased materials
- recycled content
- sourcing of raw materials
- material ingredient reporting
- low emitting materials
- lighting quality
- acoustics

For LEED contribution contact TechLine

LOCATION DEPENDENT

WITH INFILL PANEL

SUSPENSION SYSTEMS COMPONENTS & ACCESSORIES System utilizes Suprafine® XL® main beams

Use with Suprafine® XL® Main Beam – items 7500, 7501 (Pgs. 160-161) and Molding.

45° SHAPES

Item No.	Description
75AB45L	Suprafine® 45° Left Angle Bracket
75AB45R	Suprafine® 45° Right Angle Bracket
75AB45D	Suprafine® 45° Double Angle Bracket
75CB45	Suprafine® 45° Corner Bracket
XM754524	Suprafine® 45° Base Cross Tee – 24" Main Beam Spacing
XL7520	24" Suprafine® Cross Tee
XM7524	Suprafine® Perimeter Cross Tee – 24" Main Beam Spacing
PCC	Axiom® Perimeter Corner Clip
PAC	Perimeter Angle Clip
BERC2	2" Beam End Retaining Clip

60° SHAPES

Item No.	Description
75AB60L	Suprafine® 60° Left Angle Bracket
75AB60R	Suprafine® 60° Right Angle Bracket
75AB60D	Suprafine® 60° Double Angle Bracket
XM756024	Suprafine® 60° Base Cross Tee – 24" Main Beam Spacing
XM7524	Suprafine® Perimeter Cross Tee – 24" Main Beam Spacing
PCC	Axiom® Perimeter Corner Clip
PAC	Perimeter Angle Clip
BERC2	2" Beam End Retaining Clip

For additional suspension components, trims, and clips, please consult the full installation instructions at www.armstrongceilings.com/shapesinstallation
For additional product details see Pgs. 160-161.



DESIGNflex™ SHAPES

new METALWORKS™ Shapes
for DESIGNFlex™

Tegular
smooth texture



SUSTAIN™
High Performance
Sustainable
Ceiling Systems
Unperforated (M1)

Declare™
Living Building
Challenge Compliant

UP TO **80%** RECYCLED CONTENT

LEED®	energy management	construction waste to right	regional materials	design for flexibility	EPD	recyclable/extended producer resp.	biobased materials	recycled content	sourcing of raw materials	material ingredient reporting	low emitting materials	lighting quality	acoustics
-------	-------------------	-----------------------------	--------------------	------------------------	-----	------------------------------------	--------------------	------------------	---------------------------	-------------------------------	------------------------	------------------	-----------

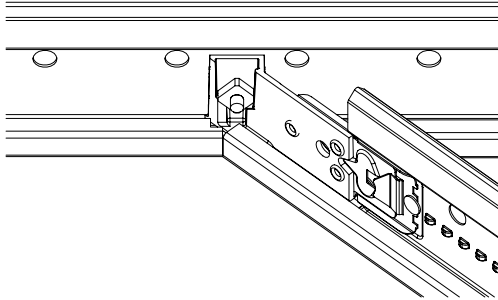
For LEED contribution contact TechLine

LOCATION DEPENDENT

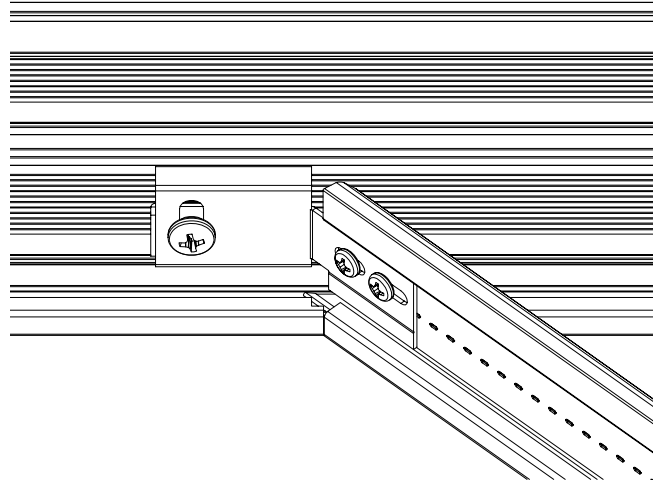
WITH INFILL PANEL

DETAILS

Tegular Panel installed with Angle Bracket connecting Suprafine® XM Cross Tee and Main Beam



Full-size Tegular Panel Axiom® Trim Perimeter Solution, using AXTBC Clip



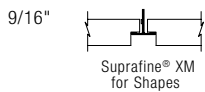
PARTNER COMPANIES For more information on our partner companies, please visit armstrongceilings.com/partners

Compatible with:
Axis Geometrix™ Lighting,
JLC-Tech FLEX T-BAR LED
Lights and Price diffusers.



Shaped infill panels are available through asquote@armstrongceilings.com for specific partner lighting fixtures.

SUSPENSION SYSTEMS



Suspension system is available in coordinating colors

PHYSICAL DATA

Material
Aluminum – thickness 0.040"

Surface Finish
Factory-applied polyester paint finish
Custom colors also available. Contact TechLine for custom color matching requests at 1 877 276-7876.

Fire Performance
ASTM E84 and CAN/ULC S102. Flame Spread Index 25 or less. Smoke Developed Index 50 or less.

ASTM E1264 Classification
Fire Class – Class A
Unperforated – Type XX, Pattern G
Perforated – Type XX, Pattern C

Installation Considerations
See installation instructions for bracket and perimeter solution guidelines.

Design Considerations
MetalWorks™ Shapes for DESIGNFlex™ installation system based on parallel main beam spacing.

Silverlume and Gun Metal colors are directional and run parallel to base as shown on data page. This must be considered in ceiling layout plans for right triangle shape. For optimum visual design, backlighting panels is not recommended.

For any color available contact: asquote@armstrongceilings.com

Seismic Restraint
Suprafine® XM for DESIGNFlex™ Shapes suspension system have been engineered, tested, and approved for use with DESIGNFlex™ Shapes panels when installed per Armstrong Ceilings installation instructions.

Warranty
Details at armstrongceilings.com/warranty

Weight/Panel (Bulk Packed)

8284	– 2.2 lbs/SF
8285	– 1.1 lbs/SF
8287	– 4.4 lbs/SF
8288	– 4.4 lbs/SF
8290	– 1.1 lbs/SF
8292	– 2.2 lbs/SF
8293	– 2.2 lbs/SF
8296	– 3.3 lbs/SF

TechLine / 1 877 276-7876
armstrongceilings.com/designflex
(search: metalworks shapes)

BPCS-5811-1218

LEED® is a registered trademark of the U.S. Green Building Council
Declare™ is a service mark of The International Living Future Institute
Price® is a registered trademark of Price Industries Limited. Geometrix™ and Axis are owned by Axis Lighting. All other trademarks used herein are the property of AWI Licensing LLC and/or its affiliates
© 2018 AWI Licensing LLC Printed in the United States of America

