

# METALWORKS™ Family Trim and Accessories

**TRIM** Required clips must be ordered separately

Item No. ◆	Description	Dimensions (Inches) Nominal W x L x H	Colors	Pieces/ Carton	Item No.	Description	Pieces/ Carton
AX2VESTR __	Axiom® Vector Trim – 2" Straight	3/4 x 120 x 2"	WH, SG, MY, BL	–	7800 __	144" Hemmed Angle Molding	30
AX4VESTR __	Axiom Vector Trim – 4" Straight	3/4 x 120 x 4"	WH, SG, MY, BL	–	7835 __	120" Hemmed Channel Molding	20
AX6VESTR __	Axiom Vector Trim – 6" Straight	3/4 x 120 x 6"	WH, SG, MY, BL	–	7835SC	Spreader Bar for Channel Molding	150
5342 _ _ _ _	2" Effects™ Wood Looks Trim	Nominal 120" length	FXMP, FXCH, FXDC, FXWN, FXOK, FXWE	6	7870	Spring Border Clip	1000
5344 _ _ _ _	4" Effects Wood Looks Trim	Nominal 120" length	FXMP, FXCH, FXDC, FXWN, FXOK, FXWE	6			
5346 _ _ _ _	6" Effects Wood Looks Trim	Nominal 120" length	FXMP, FXCH, FXDC, FXWN, FXOK, FXWE	6			
7125 _ _ _	Box Molding (for Laminates, Black is recommended)	2 x 96 x 1-1/2"	WHA, SIA, MYA, SAA, LMA, BAA, BL	6			
7126	Box Molding Spreader Hold Down	1 x 10-5/8 x 1-1/2"	–	10			
7147 _ _ _	Torsion Spring Perimeter Trim (Extruded)	1 x 120 x 4"	WH, SG, MY, BL	6			
7131 _ _ _	Torsion Spring Perimeter Trim (Formed)	1 x 96 x 4-1/4"	LMA, BAA, SAA	6			

## TRIM COLORS (Custom colors and veneers available.)

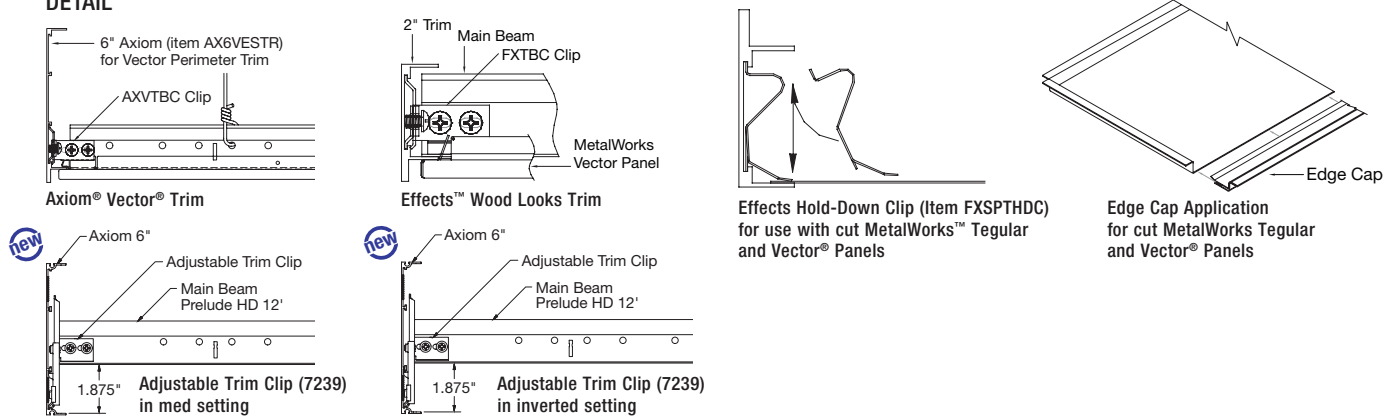
White (WH)                      Satin Anodized (SAA)  
 Silver Grey (SG)              Lacquer Mill (LMA)  
 Gun Metal Grey (MY)        Brushalume (BAA)  
 Black (BL)                      Whitelume (WHA)  
    Silverlume (SIA)  
    Gun Metal (MYA)  
 Effects™ Maple (FXMP)  
 Effects Cherry (FXCH)  
 Effects Dark Cherry (FXDC)  
 Effects Walnut (FXWN)  
 Effects Oak (FXOK)  
 Effects Walnut Espresso (FXWE)

◆ When specifying or ordering, include the appropriate 2-, 3-, or 4-letter color suffix with the item number (e.g., AXZVESTR W H, 7125 W H A, or 5342 E X C H).

For information on additional Axiom Trim options and accessories see Pgs. 480-481, 491.

NOTE: Effects Wood Looks Trim cartons include FXSPICE plates and FXTBC clips.

## DETAIL



Adjustable Trim Clip (ATC; Item 7239) to integrate 6" or taller Trim with MetalWorks panels or planks that drop greater than 3/8" below the grid flange, such as Linear, Torsion Spring, or Clip-On.

## INFILL PANELS

Item No.	Description	Dimensions (Inches)	NRC	CAC	Colors	Pieces/ Carton
5479	BioAcoustic™ Infill Panel	24 x 24 x 5/8"	0.75	N/A	Beige	12
5823	BioAcoustic Infill Panel	24 x 24 x 5/8"	0.75	N/A	Black (Matte)	12
8200100	1" Fiberglass Infill Bag	24 x 24 x 1"	0.75	N/A	Black (Gloss)	12
2820BL	Calla® Square Lay-in Panel Black	24 x 24 x 1"	0.85	35	Black	10
1728BL	Fine Fissured™ Square Lay-in Panel	24 x 24 x 5/8"	0.55	33	Black	16
1713	School Zone® Fine Fissured™ Square Lay-in Panel	24 x 24 x 5/8"	0.70	35	White	12
1714	School Zone® Fine Fissured™ Square Lay-in Panel	24 x 48 x 5/8"	0.70	40	White	8
2820	Calla® Square Lay-in Panel	24 x 24 x 1"	0.85	35	White	10

## DETAILS



1. BioAcoustic™ Infill Panel – Beige
2. BioAcoustic™ Infill Panel – Black
3. 1" Fiberglass Infill Panel (in poly bag)
4. Fine Fissured™ Square Lay-in Panel
5. Cortega® Square Lay-in Panel

# METALWORKS™ Family Trim and Accessories

## ACCESSORIES

Item No. ◆	Description	Dimensions (Inches)	Colors	Pieces/ Carton	Item No.	Description	Dimensions (Inches)	Colors	Pieces/ Carton
<b>Panel Accessories</b>					<b>Trim Accessories (continued)</b>				
6096	15/16" Edge Cap for Cut 5/16" Tegular Panels*	Nominal 24"	WH, SG, MY, BL	50	FXSPTHDC	Effects™ Hold-Down Clip for Cut Panel Installations	-	-	10
6099	9/16" Edge Cap for Cut 5/16" Tegular Panels*	Nominal 24"	WH, SG, MY, BL	50	FHDC	Faceted Hold-Down Clip	-	-	10
6098	Vector® Edge Cap for Cut Panels	Nominal 24"	WH, SG, MY, BL	50	UHDC	Universal Hold-Down Clip	-	-	1,000
84008	Vector Single-Slot Air Diffuser	24" x 24"	WH, SG, MY, BL	1	FZUHDC	FastShip Universal Hold-Down Clip	-	-	50
<b>Trim Accessories</b>					CHDC	Clear Hold-Down Clip	-	-	50
FXSPICE	2" Splice Plate w/ Setscrews	-	N/A	10	FXTBC	Effects™ T-Bar Connector Clip	-	N/A	10
FX4SPICE	4" Splice Plate w/ Setscrews	-	N/A	10	FXVTBC	Effects™ Vector T-Bar Connector Clip	-	-	10
◆ When specifying or ordering, include the appropriate 2-letter color suffix with the item number (e.g., 6096 M Y).					<b>new</b> 7239	Adjustable Trim Clip	-	-	50
* Edge caps in White, Silver Grey, Gun Metal Grey, and Black (for Effects™ finishes only).									

## CORNICES – STANDARD FOR USE WITH METALWORKS™ TIN (Nail-up panels only)

Item No. ◆	Description	Dimensions (Inches)	Color	Pieces/Carton
56051	Corner Molding	1-1/2 x 1-1/2 x 48"	See below	-
56053	Corner Molding	1-7/8 x 1-7/8 x 48"	See below	-
56052	Corner Molding	3 x 3 x 48"	See below	-
56054	Corner Molding	4-1/2 x 4-1/2 x 48"	See below	-
56055	Corner Molding	6-1/8 x 6-1/8 x 48"	See below	-
56056	Corner Molding	9 x 9 x 48"	See below	-
5600	Conehead Nails (installs up to 200 SF per carton)	1-1/4"	See below	-
5600HDC	Tin Hold Down Clips	-	-	200

◆ When specifying or ordering, include the appropriate 3-letter color suffix with the item number (e.g., 56051 I A M)

### CORNICES COLORS

White (TWH)      Lacquered Steel (TLS)  
Bare Steel (TNA)      Copper (TCP)

### ACCESSORIES COLORS

White (WH)      Gun Metal Grey (MY)  
Silver Grey (SG)      Black (BL)