

AXIOM® Knife Edge®

Trim
straight

DeclareSM
Living Building
Challenge Compliant

SUSTAINSM
High Performance
Sustainable
Ceiling Systems



50% RECYCLED CONTENT

Calculate LEED contribution at
armstrongceilings.com/greengenie

LEED	energy management	construction waste to right	regional materials	design for flexibility	EPD	recyclable/extended producer resp.	biobased materials	recycled content	sourcing of raw materials	material ingredient reporting	low emitting materials	lighting quality	acoustics
------	-------------------	-----------------------------	--------------------	------------------------	-----	------------------------------------	--------------------	------------------	---------------------------	-------------------------------	------------------------	------------------	-----------

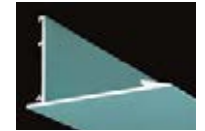
LOCATION DEPENDENT



This trim is a unique, refined trim alternative compared to traditional, 90-degree vertical trims.

KEY SELECTION ATTRIBUTES

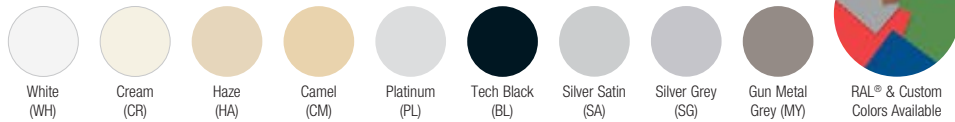
- Adjustable Trim Clip (Item 7239) makes Knife Edge Trim compatible with WoodWorks® and MetalWorks™ panels or planks that drop greater than 3/8" below the grid flange
- Unique profile provides a refined alternative
- Axiom® trim is part of the Sustain™ portfolio and meets the most stringent sustainability compliance standards today
- Two profiles available:
 - Axiom® Knife Edge®** for traditional acoustical lay-in and Tegular panels, as well as drywall
 - Axiom® Knife Edge® for Vector®** is specifically made to work with the unique Vector edge
- Extruded aluminum trim provides more crisp edge detailing compared to conventional roll-formed steel systems
- Compatible with Armstrong® Suspension Systems and Drywall Grid Systems
- Colors coordinate with Armstrong ceiling and grid systems; custom colors available
- Standard 90° factory bonded corners



Colorations® colors

COLORS Due to printing limitations, shade may vary from actual product.

Standard



NOTE: 360° paint finishes and custom colors available as special order

ARCHITECTURAL FILM FINISHES (white or black background)



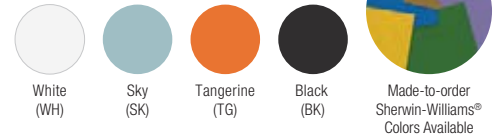
NOTE: White is standard color for all AXIOM products.

BLIZZARD WHITE FINISH



NOTE: Blizzard White finish available on select Axiom® Classic, Knife Edge®, and Vector® trim profiles

COLORATIONS® COLORS (partial list)



VISUAL SELECTION

Item No. ◆	Description	Dimensions
AXIOM® Knife Edge®		
AXKE2STR _ _ _	Straight	120 x 6-3/16 x 2-1/2"
AXKE90IC* _ _ _	Inside 90° Corner	12 x 6-3/16 x 2-1/2"
AXKE90OC* _ _ _	Outside 90° Corner	12 x 6-3/16 x 2-1/2"
AXKE5STR***	Straight	120 x 6-3/16 x 5"
AXKE5IC***	Inside 90° Corner	12 x 6-3/16 x 5"
AXKE5OC***	Outside 90° Corner	12 x 6-3/16 x 5"
AXIOM Knife Edge for Vector®*		
AXKEVE2STR _ _ _	Vector – Straight	120 x 5-9/16 x 2-5/16"
AXKEVE90IC* _ _ _	Inside 90° Corner	12 x 5-9/16 x 2-5/16"
AXKEVE90OC* _ _ _	Outside 90° Corner	12 x 5-9/16 x 2-5/16"
Accessories		
AX2HGC	Hanging Clip	–
AXTBC	T-Bar Connector Clip	–
AXVTBC	Vector T-Bar Connector Clip	–
7239**	Adjustable Trim Clip	–
AX4SPlice	Splice Clip with Setscrews	–
AXKEALIGN	Alignment Clip	–
AXSPHDC	Trim Hold-Down Clip	–
AXDWT	Drywall Trim	120 x 1-3/4"

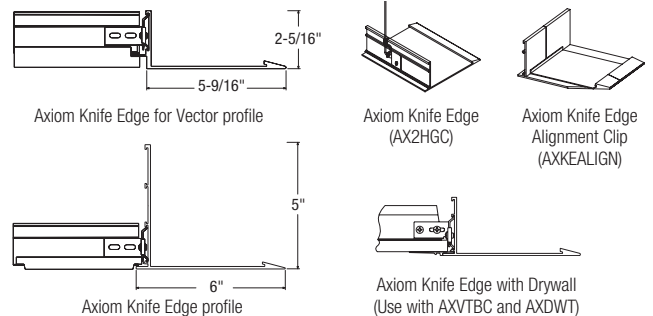
◆ Add the 2-digit color suffix to the item number when specifying or ordering (Example: AX2STR H A), add an extra digit "3" before the color suffix if paint is required inside and outside of trim (Example: AXKE2STR 3 H A), use extra suffix W-white or B-black before color suffix when ordering film to designate the background color (Example: AXKE2STR B B B).

* Axiom Knife Edge must use factory corners. ** Recommended with 5" Knife Edge. Clip could be visible with 2" trim. *** Only available in White.

DETAILS

For more information, see submittal BPCS-3080.

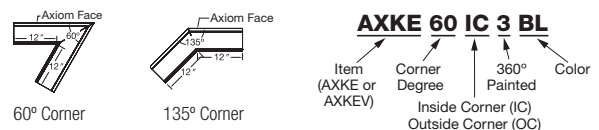
CAD drawings available on armstrongceilings.com/axiom



Factory-Bonded corners



Factory corner configurations available 60-135° (upon request)



AXKE 60 IC 3 BL

Item (AXKE or AXKEV) Corner Degree 360° Painted Color
Inside Corner (IC) Outside Corner (OC)

TechLine / 1 877 276 7876
armstrongceilings.com/axiom

BPCS-3528-218

LEED® is a registered trademark of the U.S. Green Building Council®; RAL® is a registered trademark of RAL gGmbH; Sherwin-Williams® is a registered trademark of The Sherwin-Williams Company; Declare™ is a service mark of The International Living Future Institute. All other trademarks used herein are the property of AWI Licensing LLC and/or its affiliates © 2018 AWI Licensing LLC Printed in the United States of America

Armstrong®
CEILING & WALL SOLUTIONS

420



TRIM & TRANSITIONS