

AXIOM® for INTERLUDE®

Trim
straight

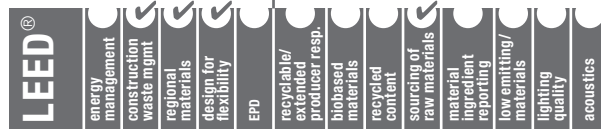


Declare™
Living Building
Challenge Compliant

SUSTAIN™
High Performance
Sustainable
Ceiling Systems

50% ALUMINUM RECYCLED CONTENT

Calculate LEED contribution at
armstrongceilings.com/greengenie



LOCATION DEPENDENT



This pre-engineered trim allows the continuation of the Interlude® XL® HRC suspension system visual to the perimeter of the ceiling.

KEY SELECTION ATTRIBUTES

- Used exclusively with Interlude® XL® HRC suspension system (see pgs. 359-360)
- Axiom® trim is part of the Sustain™ portfolio and meets the most stringent sustainability compliance standards today
- Available in our most popular profile sizes (2", 4", and 6")
- New Interlude expansion sleeve (IES3) allows the unique Interlude visual to be extended to the perimeter
- Extruded aluminum trim provides more crisp edge detailing compared to conventional roll-formed steel systems
- Colors coordinate with Armstrong® ceiling and suspension systems; custom colors available
- Standard 90° factory-mitered outside and inside corners
- Recommended for use with full-size ceiling panels

COLORS

Standard



White
(WH)



RAL® and Custom
Colors Available

NOTE: 360° paint finishes and custom colors available as special order.

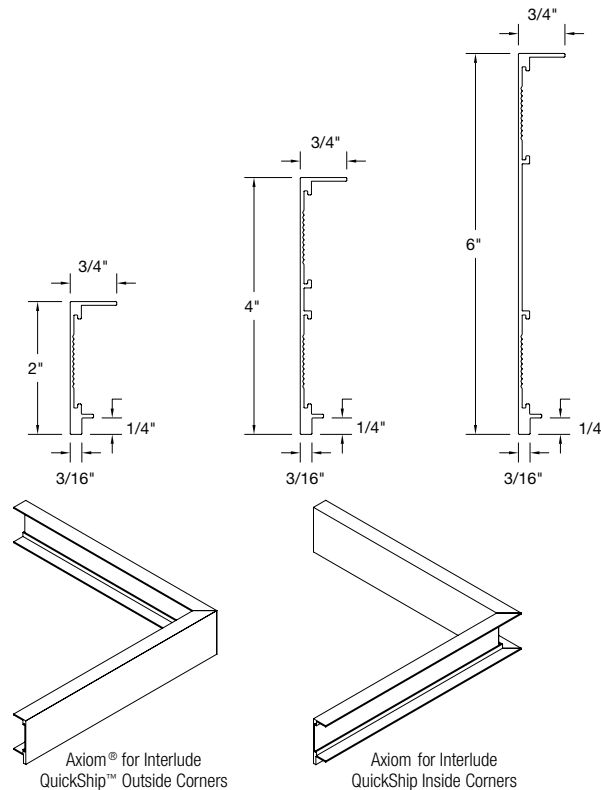
VISUAL SELECTION

Item No. ♦	Description	Dimensions
AXIOM® for INTERLUDE® Trim		
AXLD2STR _ _ _	Axiom for Interlude 2", Straight	120 x 3/16 x 2"
AXLD4STR _ _ _	Axiom for Interlude 4", Straight	120 x 3/16 x 4"
AXLD6STR _ _ _	Axiom for Interlude 6", Straight	120 x 3/16 x 6"
AXIOM for INTERLUDE Pre-mitered Corners		
AXLD2QSOS _ _ _	Axiom for Interlude 2", Outside Corner	12 x 3/16 x 2"
AXLD2QISIS _ _ _	Axiom for Interlude 2", Inside Corner	12 x 3/16 x 2"
AXLD4QSOS _ _ _	Axiom for Interlude 4", Outside Corner	12 x 3/16 x 4"
AXLD4QISIS _ _ _	Axiom for Interlude 4", Inside Corner	12 x 3/16 x 4"
AXLD6QSOS _ _ _	Axiom for Interlude 6", Outside Corner	12 x 3/16 x 6"
AXLD6QISIS _ _ _	Axiom for Interlude 6", Inside Corner	12 x 3/16 x 6"
Accessories		
AX4SPLICEB	Splice Plate with Setscrews	3/4 x 3/16 x 6"
AXCCLT	T-Bar Connector Twist Clip	—
IES3	Interlude Expansion Sleeve	—

♦ Add the 2-digit color suffix to the item number when specifying or ordering (Example: AXLD6STR W H), add an extra digit "3" before the color suffix if paint is required inside and outside of trim (Example: AXLD6STR 3 W H).

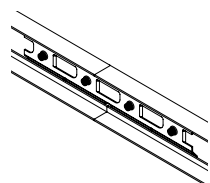
NOTE: Clips and splice plates are unpainted. Touch-up paint available upon request for clips and splice plates used with standard colors.

DETAILS

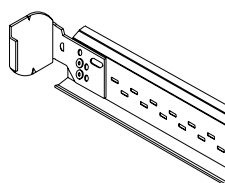


TRIM & TRANSITIONS

ACCESSORIES



Splice Plate
(AX4SPLICEB)



T-Bar Connector Clip
(AXCCLT)

TechLine / 1 877 276-7876
armstrongceilings.com/axiom

BCPS-4211-517