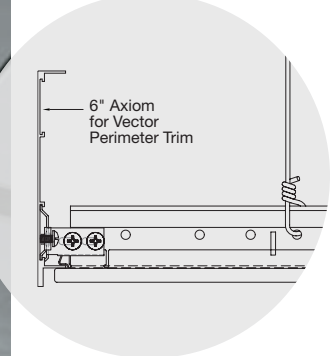


METALWORKS™

Vector® and Vector Exterior
smooth texture

TrioGuard™
Dirt-Resistant
Coating

CAD/Revit® drawings at:
armstrongceilings.com



armstrongceilings.com/capabilities
See more photos at:
armstrongceilings.com/photogallery

MetalWorks™ Vector® faceted panels with Serpentina® trim (Pgs. 85-86)

Durable, steel panels offer a 1/4" reveal and 100% downward accessibility.

KEY SELECTION ATTRIBUTES

- new** Available with TrioGuard™ coating that resists dirt, bacteria, mold, mildew, and color fading
- Exclusive Vector® panel edge profile installs on new or existing 15/16" exposed tee suspension system resulting in a thin 1/4" reveal
- Panels can be used to create continuous looks or clouds using Axiom® trim or Effects™ Wood Looks trim
- Standard perforations available to enhance acoustical performance and design aesthetics
- Exterior system available, tested to meet wind uplift Classes 30, 60, and 90
- Outstanding NRC with acoustical fleece or infill panel (0.65 – 0.90)
- Installs with minimal plenum clearance
- Plenum access per panel without the need of special tools

COLORS

Due to printing limitations, shade may vary from actual product.



NOTE: Effects colors are only available for unperforated and extra microperforated panels.

Exterior

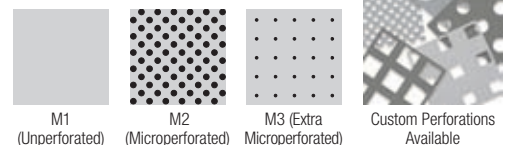
- White Exterior (WH2)
- Silver Grey Exterior (SG2)
- Gun Metal Grey Exterior (MY2)
- Effects Maple Exterior (FXMP2)
- Effects Cherry Exterior (FXCH2)
- Effects Dark Cherry Exterior (FXDC2)
- Effects Walnut Exterior (FXWN2)
- Effects Oak Exterior (FXOK2)
- Effects Walnut Espresso Exterior (FXWE2)

DETAILS



- MetalWorks™ Vector® Microperforated
- MetalWorks Vector Extra Microperforated
- MetalWorks Vector Unperforated with Prelude® XL® 15/16" suspension system

PERFORATION OPTIONS (1:2 scale shown)



METALWORKS™

Vector® and Vector Exterior
smooth texture

UP TO 25% RECYCLED CONTENT

For LEED contribution contact TechLine

LEED® energy management construction waste mgmt regional materials design for flexibility EPD recyclable/extended producer resp. bio-based materials recycled content sourcing of raw materials material ingredient reporting low emitting materials lighting quality acoustics

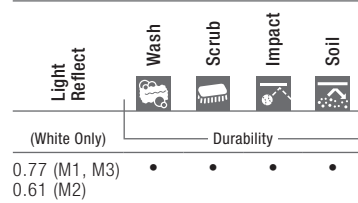
VISUAL SELECTION

Edge Profile	Item No. ◆	Dimensions (Inches)	Perforations
METALWORKS™ Vector®			
1/4" Reveal with 15/16" Vector®	6466	24" x 24"	M1, M2, M3

◆ When specifying or ordering, include the appropriate color, perforation and, if needed, coating suffix with the item number (e.g., 6466 M1WH, 6466 M3FXCH, or 6466 M1WH3G).

NOTE: Perforation M1 available with TrioGuard™ coating
Perforation M2 available in Effects finishes as a custom option and a 1,000 SF minimum order quantity.

PERFORMANCE



ACOUSTICAL INFORMATION

Perforation	% Open Area	NRC	CAC
M1 Unperforated	0%	—	36
M2 Micro-perforated	18.4%	0.70 0.90*	31**
M3 Extra Micro-perforated	1.5%	0.65 0.70*	33**

NOTE: Available with TrioGuard™ Coating

* NRC 0.90 (microperforated) with optional fiberglass infill #8200100. NRC 0.70 (extra microperforated) with optional BioAcoustic™ infill #5479 or 5823.
** With optional field-cut #770 mineral fiber backing (cannot be used in addition to fiberglass infill #8200100).

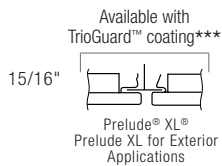
ACCESSORIES

For additional accessories, including moldings and perimeter trim, see pgs. 140-141.

Item No. ◆	Description	Dimensions (Inches)	Pieces/ Carton
5342	2" Effects™ Wood Looks Trim	120 x 3/4 x 2"	6
5344	4" Effects Wood Looks Trim	120 x 4 x 4"	6
5346	6" Effects Wood Looks Trim	120 x 6 x 6"	6
5479	BioAcoustic™ Infill Panel (Beige – Matte)	24 x 24 x 5/8"	12
5823	BioAcoustic™ Infill Panel (Black – Matte)	24 x 24 x 5/8"	12
6098	Edge Cap for Cut Vector Panels not available in Effects colors, order in Black (BL)	Nominal 24" length	50
8200100	1" Fiberglass Infill Bag (Black – Gloss)	24" x 24"	12
84008	Single Slot Air Diffuser not available in Effects colors, order in Black (BL)	24" x 24"	1
FXSPTHDC	Effects™ Hold-Down Clip for Cut Panel Installations	N/A	10

** Available in Effects™ Wood Looks finishes.

SUSPENSION SYSTEMS



*** For more information about TrioGuard™ coating for Prelude® XL® suspension system, see Pgs. 391-392.

PHYSICAL DATA

Material
Electrogalvanized Steel – 0.021" thickness

Surface Finish
Factory-applied powder-coated finish (post-coated for color and/or TrioGuard™ coating).
Exterior: Factory-applied powder-coated finish (post-coated on both sides). Effects finish on face only.
Product tested to be fade-resistant up to 10 years.
Custom colors also available. Contact TechLine for custom color matching requests at 1 877 276-7876.

Fire Performance
Tested per ASTM E84 and CAN/ULC S102. Flame Spread Index 25 or less. Smoke Developed Index 50 or less.

ASTM E1264 Classification
Fire Class – Class A
Unperforated – Type XX, Pattern G
Perforated – Type XX, Pattern C

Installation Consideration
For information about accessible faceted applications, refer to installation instructions on our web site at armstrongceilings.com/installation.

Wind Uplift Performance
MetalWorks™ Vector® panels for exterior applications have been tested to meet wind uplift Classes 30, 60, and 90. There is no fleece on exterior panels. Visit armstrongceilings.com/metalworks or contact TechLine at 1 877 276-7876 for installation instructions and test documentation.

Seismic Restraint
MetalWorks™ Vector® panels have been engineered, tested, and approved for application in all seismic areas when installed per Armstrong Ceilings installation instructions.

Warranty
Details at armstrongceilings.com

Weight; Square Feet/Carton
6466M1, 6466M3 – 1.15 lbs/SF; 40 SF/ctn
6466M2 – 1.10 lbs/SF; 40 SF/ctn
Contact TechLine for weight information on panels with M4, M5, and M6 perforations.