

**new** Intersection Downlighting



Armstrong® Intersection Downlighting with USAI Lighting Connect Family

This pre-engineered suspension system seamlessly integrates recessed downlights at the intersection of the ceiling grid-placing light where it has never been before.

**KEY SELECTION ATTRIBUTES**

- Lighting and architecture perfectly integrated into the ceiling to deliver your vision of symmetry
- Replaces inconsistent finishes and edge details with clean crisp factory finished panels and grid for a fast and easy installation
- Compatible with the USAI Lighting CONNECT™ Family
- Eliminates the worry of field modified panels and grid
- Seismic code compliant
- Armstrong® 10-Year Limited Warranty

**TYPICAL APPLICATIONS**

- Open & Closed Offices
- Lobbies
- Training rooms
- Corridors
- Conference rooms

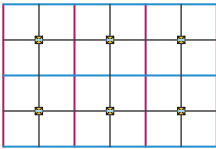
Lighting Partner:



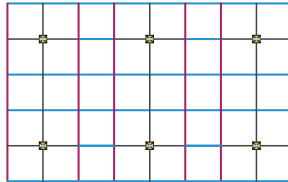
Follow the below three (3) steps when specifying Intersection Downlighting:

**1. Choose your ceiling system layout**

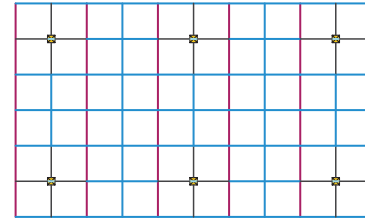
2' x 2' Ceiling layout with lights 4' apart



2' x 2' Ceiling layout with lights 6' apart



2' x 2' Ceiling layout with lights 8' apart



**2. Choose your 9/16" Intersection Profile Downlighting Kit (main beams, standard cross tees, wall molding, and lights need to be ordered separately)**

Item No.	Description
<b>Silhouette® XL 1/4" Reveal</b>	
<input type="checkbox"/> 76D4SK24 _	24" Module Kit
<input type="checkbox"/> 7601 _	12' HD Main Beam – Notched 24" O.C.
<input type="checkbox"/> 7612 _	12' HD Main Beam – Unnotched 24" O.C.
<input type="checkbox"/> 7602 _	10' ID Main Beam – Notched 24" O.C.
<input type="checkbox"/> XL7620 _	2' Cross Tee – Unnotched
<input type="checkbox"/> XL7645 _	4' Cross Tee – Center-notched, both sides
<b>Suprafine® XL®</b>	
<input type="checkbox"/> 75D4SK24 _	24" Module Kit
<input type="checkbox"/> 7501 _	12' HD Main Beam - 6" O.C.
<input type="checkbox"/> 7502 _	10' ID Main Beam - 6" O.C.
<input type="checkbox"/> XL7520 _	2' Cross Tee – 12" O.C.
<input type="checkbox"/> XL7549 _	4' Cross Tee - 12" O.C.

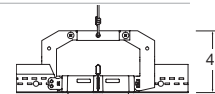
Item No.	Description
<b>Silhouette XL 1/8" Reveal</b>	
<input type="checkbox"/> 768D4SK24 _	24" Module Kit
<input type="checkbox"/> 76018 _	12' HD Main Beam – Notched 24" O.C.
<input type="checkbox"/> 76028 _	10' ID Main Beam – Notched 24" O.C.
<input type="checkbox"/> XL76208 _	2' Cross Tee – Unnotched
<input type="checkbox"/> XL76458 _	4' Cross Tee – Center-notched, both sides
<b>Interlude® XL® HRC</b>	
<input type="checkbox"/> 61D4SK24 _	24" Module Kit
<input type="checkbox"/> 6100HRC _	12' ID Main Beam – 6" O.C.
<input type="checkbox"/> 6101HRC _	12' HD Main Beam – 6" O.C.
<input type="checkbox"/> XL610010HRC _	10' ID Main Beam - 6" O.C.
<input type="checkbox"/> XL6140HRC _	4' Cross Tee - 12" O.C.
<input type="checkbox"/> XL6120HRC _	2' Cross Tee - 12" O.C.

**COLORS**

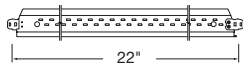


**Accessory**

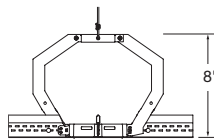
- FZD4YKLP Low-Profile Yoke



**Kit Components Included:**  
(8 Kits per carton)



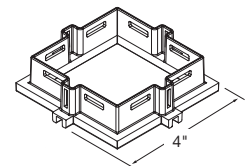
(4) Directional Cross Tees



(1) High-Profile Yoke (not assembled – comes in two pieces)\*



(2) Cross Tee Connection Clips

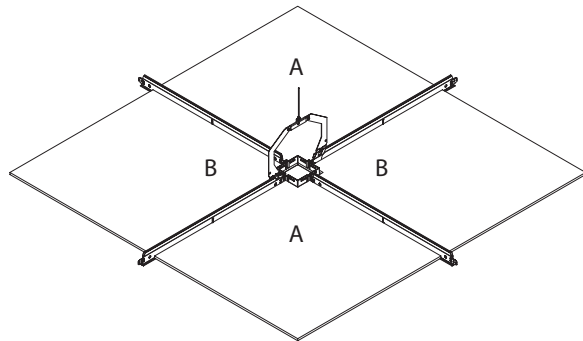
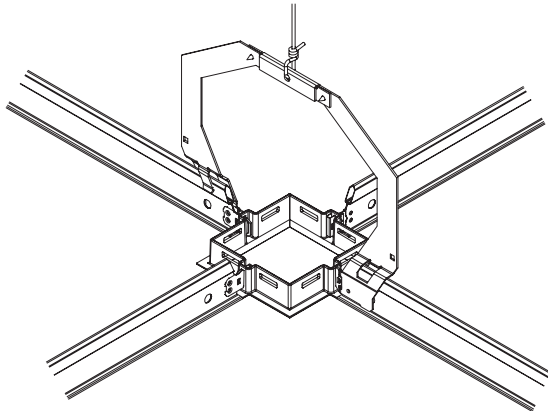


(1) Downlight Suspension Frame

\* Alternate low profile yoke for low plenum applications available - Item #: FZD4YKLP



**INTERSECTION DOWNLIGHTING ASSEMBLY/CEILING PANEL LAYOUT**



**3. Choose your Ceiling Panel**

**NOTE:** These are directional panels and come as (8) pieces per carton (4 A's / 4 B's marked)

**VISUAL SELECTION**

Edge Profile	Item No.	Dimensions (Inches)	(8 panels per carton)
9/16" Square Tegular	<b>2818</b>	24 x 24 x 1"	
9/16" Square Tegular	<b>2824</b>	24 x 24 x 1"	

**PERFORMANCE SELECTION**

Dots represent high level of performance.

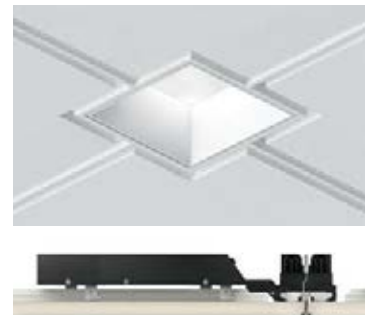
UL Classified Acoustics	Total Acoustics <sup>1</sup>	Articulation Class	Fire Rating	Light Reflect	Anti-Mold & Mildew	Sag Resist	Certified Low VOC Emissions	Wash	Impact	Scratch	Soil	Recycled Content	Recycle Program	30-Yr Warranty
NRC + CAC =	NRC + CAC	AC												
0.85 + 35 =	BEST	170	Class A	0.86	•	•	•	•	•	•	•	•	•	•
0.85 + 35 =	BEST	170	Class A	0.86	•	•	•	•	•	•	•	•	•	•

<sup>1</sup> Total Acoustics™ ceiling panels have an ideal combination of noise reduction and sound-blocking performance in one product.  
**GOOD** (NRC 0.60-0.65; CAC 35+) **BETTER** (NRC 0.70-0.75; CAC 35+) **BEST** (NRC 0.80+; CAC 35+)

**CONNECT™ Family**

Connect's distinguished aesthetic and uncompromising craftsmanship integrates beautiful illumination with simplicity.

- Award-winning LED performance
- Three different trim aesthetics available: BevelLED, TrueZERO, and SilverLED
- Industry-leading color consistency
- Full family of downlight, adjustable and wall wash
- Interchangeable beam spreads
- Best-in-class dimming controls compatibility
- Widest range of white light color options
- Color technologies – Classic White, Warm Glow, Dimming, and Color Select options



For more product information visit:  
[usallighting.com/connect](http://usallighting.com/connect)

**PHYSICAL DATA**

**Material**  
 Cross Tees: Hot dipped galvanized steel  
 High Profile Yoke: Galvanized steel  
 Low Profile Yoke: Galvanized steel  
 Cross Tee Connector Clip: Galvanized steel  
 Downlight Suspension Frame: ADC12 Aluminum

**Surface Finish**  
 Baked polyester paint or powder coated finish

**Cross Tee / Downlight Suspension Frame Interface**  
 Flush

**End detail**  
 Staked-on XL Clip

**Installation Considerations**  
 The high-profile yoke included in each kit is designed for use with the USAI Lighting CONNECT Family Downlight, Adjustable, and Wall Wash lighting options.  
 For low plenum installations, the low-profile yoke can be ordered separately and comes with (8) eight unassembled yokes. The low-profile yoke can be used with the USAI CONNECT Family Downlight and Wall Wash options. A low-profile yoke will not fit the housing of a USAI CONNECT Adjustable downlight and a high-profile yoke must be used.  
 Downlight Suspension Frame can only receive directional cross tees. For light spacing 6' apart alternate main beam spacing (4' spacing, 2' spacing).

**Carton Components:**  
 Each carton contains (8) eight Intersection Downlighting Kits with the following components:  
 (32) 22" Directional Cross Tees  
 (8) High-Profile Yokes (unassembled)  
 (8) Downlight Suspension Frames  
 (20) Cross Tee Connection Clips (16 clips are required, 4 extra per carton)

**Warranty**  
 10-year limited warranty

