

ARMSTRONG® Clean Room™ Ceiling Systems

When Particles Matter

TYPICAL APPLICATIONS

In today's technologically demanding environment, a little bit of dirt can cause a great deal of trouble. For instance, a speck of dust so small it can only be seen under a powerful microscope could throw a spacecraft's guidance system off sufficiently enough to cause the spacecraft to miss the moon by many miles. Because these microscopic amounts of foreign matter can create such problems, aerospace industries must meet fantastic standards of cleanliness, and clean room systems were designed with this in mind.

There are a variety of applications for clean room systems. Use this chart to determine which material is appropriate for your space.

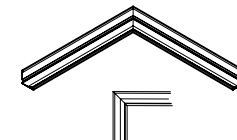
Application	Material
• Laboratories	15/16" Steel
• Pharmaceutical facilities	15/16" Steel
• Automotive & aerospace	15/16" Steel
• Computer rooms	15/16" Steel
• Data centers	15/16" Steel
• MRI (non-magnetic environment)	15/16" Aluminum
• Hospitals	15/16" Aluminum or Steel
• Food processing facilities	15/16" Aluminum or Steel
• High-tech manufacturing	15/16" Aluminum or Steel
• Spaces utilizing HEPA filters	1-1/2" Aluminum

The following applications typically have HEPA filter installations:

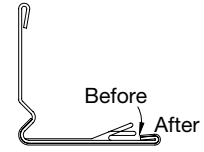
Application	
• Semiconductor fabrication	• Food processing
• Disc drive manufacturing	• Nanotechnology
• Biotechnology	• USP 797 pharmacies
• Aerospace	• Solar panel plants
• Pharmaceutical production	• Lithium battery plants

NOTE: The reason HEPA filters require 1-1/2" flange is because the filters are typically 23.625 x 47.625 and can weigh up to 60 lbs.

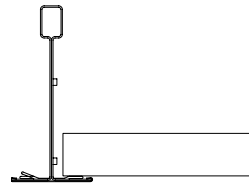
INSTALLATION CONSIDERATIONS



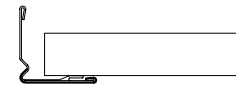
Mitre Cut Corners



Compressing the Gasket



Panel Compressing the Gasket on Main Beam or Cross Tee



Panel Compressing the Gasket on Angle Molding

LIGHT FIXTURES

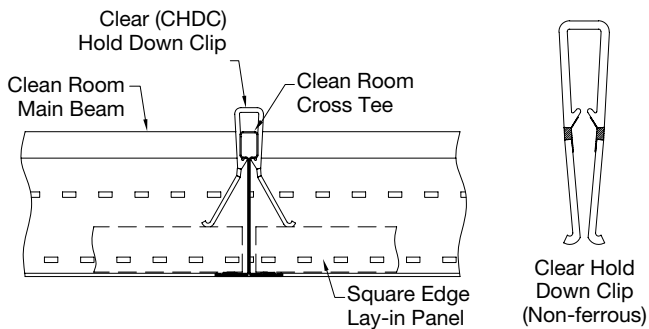
NOTE: Aluminum clean room has a 2" web height. Check with lighting manufacturers to ensure compatibility.

Manufacturer	Item #
Lithonia Lighting	CLRM-150 SRT-2x4_F MP4270
Philips Guth	KLEENSEAL KRT 200
Morlite	CRGHEPA24 Series

MAINTAINING POSITIVE PRESSURE

In the event that positive pressure is being maintained in the clean room, hold down clips may be required. For Armstrong® Clean Room™ system, the CHDC clips may be used for that purpose; one on each side of the 2' x 2' panel and two clips at the third points on each 4' cross tee.

The CHDC Clip attaches to the top bulb of the suspension system to hold 1/16" to 3/4" lay-in panel in place; helps to prevent ceiling panel fluttering at entryways.



CEILING PANEL SELECTION

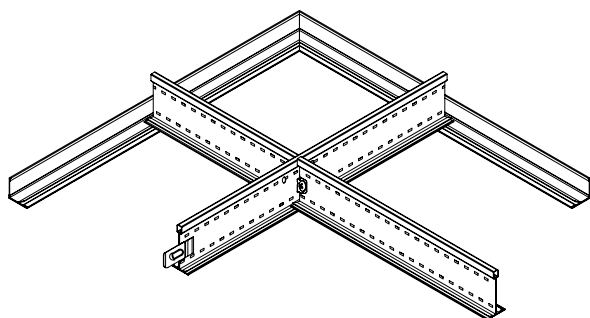
Choosing the appropriate ceiling panel is important to minimizing unwanted particles and maintaining clean room performance. Armstrong offers a variety of panel options.



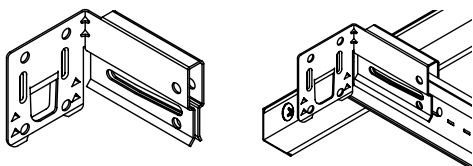
SEISMIC SOLUTIONS

The Armstrong 15/16" Clean Room™ Steel system is great for use in IBC Seismic Design Categories C and D, E, F. Please refer to the Seismic Rx® brochure for additional information at armstrong.com/seismic.

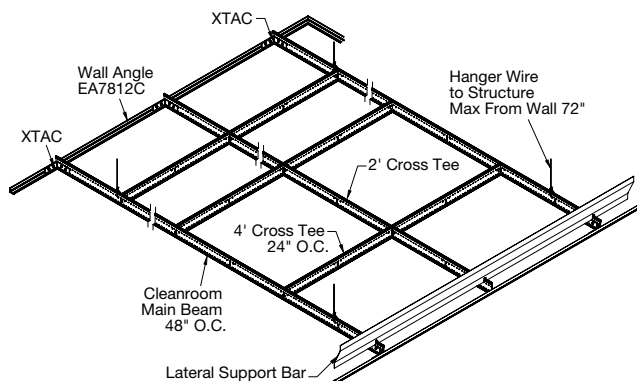
Coextruded Clean Room System Seismic Installation



BERC2 – 2" Beam End Retaining Clip – Allows you to create a code compliant Seismic Design Category D, E, F ceiling installation while eliminating the need to use 2" wall molding or spreader bars.



NOTE: BERC2 is only compatible with steel clean room. For aluminum, use the lateral support bar shown below:



Optima® Health Zone™



- Highest level of sound absorption, NRC 0.95 open plan spaces
- Long-lasting water-repellency for cleaning and disinfection
- Smooth, fine-textured visual
- Tegular profile

Ultima® Health Zone™



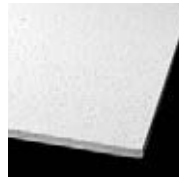
- Excellent combination of sound absorption and sound blocking for closed plan spaces, NRC 0.70, CAC 35
- Long-lasting water-repellency for cleaning and disinfection
- Smooth, fine-textured visual
- Tegular profile

Clean Room™ FL



- Good combination of sound absorption and sound blocking for closed plan spaces, NRC 0.55, CAC 35
- **IMPORTANT!** For best sound absorption, use field panels, for full, unpenetrated panels, use border panels for all cuts and penetrations. (Only field panels have sound absorption ability.)
- Soil-resistant polyester film

Clean Room VL



- Good sound blocking (CAC 35) performance
- Vinyl-covered surface for excellent durability

