

QUIKSTIX™

Drywall Ceilings Locking Pocket Mains



KEY SELECTION ATTRIBUTES

- Reduces time and labor installing drywall ceilings in tight plenum conditions
- Uptight clip allows installation in 1-13/16" to 5-1/2" plenums
- Locking Pocket Main has the same characteristics as a Strongback
- Locking Pocket Main allows uptight installation because installed at same level as ShortSpan tees
- ShortSpan Tees can span up to 8'-6" without vertical support (16" o.c.)
- Locking Angle Mold eliminates measuring, marking and screwing at perimeters
- Reduces 7/8" hat channel shot up tight to structure – significantly reduces shots required

TYPICAL APPLICATIONS

- Condominiums
- Apartments
- Residences
- Dormitories
- Barracks
- Town homes
- Rest rooms
- Hotels
- Hotels
- Villas
- Suites

VISUAL SELECTION

Item Number	Description	Dimensions (Length x Face x Profile Height)	Load Test Data L/240 (Lbs./Lin. Ft.) Simple Span	Packaging Pcs./Ctn.	Lin. Ft./Ctn.
QUIKSTIX™ Drywall Ceiling Components					
<input type="checkbox"/> QSLPM12 _ _ _	12' Locking Pocket Main (Locking Tabs 8" O.C.)	144" x 1-1/2" x 1-1/2"	Vertical supports at 4' O.C. – 22.37 Vertical supports at 3' O.C. – 47.3	XX	XX
<input type="checkbox"/> S7708 _ _ _	8' Tee	96" x 1-1/2" x 1-1/2"	All Items: 4ft. Span – 23.32 5ft. Span – 12.11 6ft. Span – 6.18	XX	XX
<input type="checkbox"/> S7710 _ _ _	10' Tee	120" x 1-1/2" x 1-1/2"			
<input type="checkbox"/> S7712 _ _ _	12' Tee	144" x 1-1/2" x 1-1/2"			
<input type="checkbox"/> S7714 _ _ _	14' Tee	168" x 1-1/2" x 1-1/2"			
<input type="checkbox"/> LAM12	12' Locking Angle Mold (Locking tabs 8" o.c.)	144" x 1-1/4" x 1-1/4"	—	XX	XX
<input type="checkbox"/> QSUTC	QuikStix Uptight Clip (Pre-drilled Screw Holes)	1-3/4" x 4-1/2"	—	XX	XX

NOTE: All components are available with G90 hot dipped galvanized coating. Just add G90 suffix to end of item #.

INSTALLATION NOTES

- Vertical Supports to structure should be either QuikStix Uptight Clips or stiff legs using scrap metal. Wire is NOT recommended for hanging this system.
- ShortSpan tees must be cut within 1/8" of vertical leg of the Locking Angle Moldings and Locking Pocket Mains.
- To engage ShortSpan tees into Locking Pockets: insert right hand flange of tee into long pocket first and allow left flange to clear short pocket and rest flat. Slide tee to the left to engage in short pocket (audible click).

Maximum System Load for QuikStix Soffit (6" and 8" O.C) in Lbs./SF* (L/240 per ASTM C645)

	Horizontal QuikStix Soffit Span				
	16"	24"	32"	36"	48"
16" o.c.				5.25 (Lbs/SF)	2.84 (Lbs/SF)
24" o.c.	10.65 (Lbs/SF)	7.92 (Lbs/SF)	5.46 (Lbs/SF)	3.72 (Lbs/SF)	**
36" o.c.	7.10 (Lbs/SF)	5.28 (Lbs/SF)	3.64 (Lbs/SF)	**	**
48" o.c.	5.34 (Lbs/SF)	2.96 (Lbs/SF)	2.73 (Lbs/SF)	**	**
72" o.c.	3.55 (Lbs/SF)	2.64 (Lbs/SF)	**	**	**

Note: Cross Tees are installed 12" or 16" o.c.

* All data obtained from actual Load Testing except for 32" span column. This column has a 1.2 Safety Factor built into it.

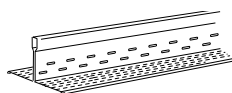
** Additional support required

DETAILS

Locking Pocket Main



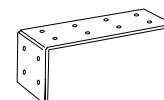
Tee



Locking Angle Mold



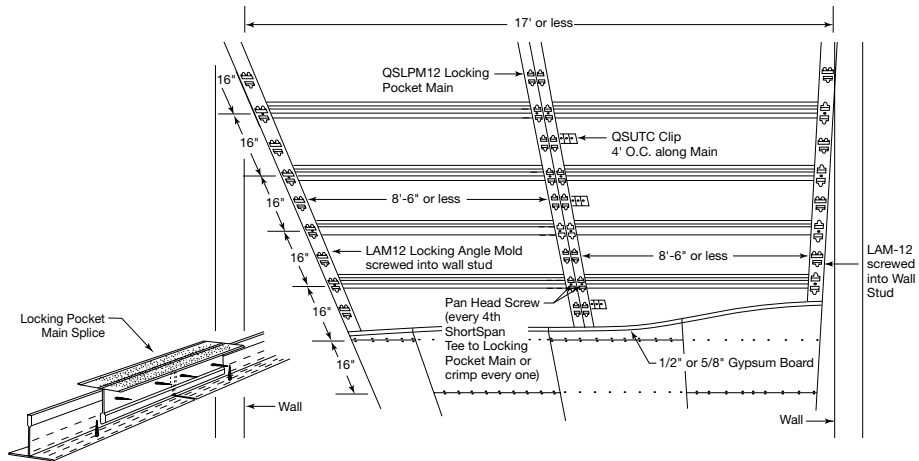
QuikStix Uptight Clip



QUIKSTIX™

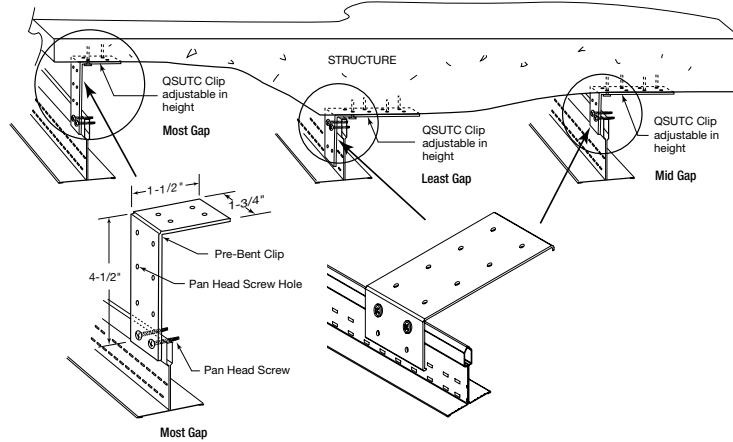
Drywall Ceilings Locking Pocket Mains

VISUAL SELECTION



(Uptight Clip (QSUTC): Saves time in tight plenum areas and is adjustable to uneven surfaces)

Uptight Clip (QSUTC): Saves time in tight plenum areas and is adjustable to uneven surfaces



(Locking Pocket Mains Help With Corridor Transitions)

