

Easy Elegance™ Plank Woodgrain White Installation Instructions



IMPORTANT INFORMATION

- **First time installers:** Please consider contacting Techline for installation guidance prior to beginning your project 1 877 276-7876.
- Ensure proper gaps are maintained around the perimeter of the room and all obstructions.
- Easy Elegance Planks are intended for interior, temperature-controlled environments only. This product should not be used for outdoor applications.

Easy Elegance™ Plank Woodgrain White can be installed using the Easy Up® track and clip system or by using construction adhesives. Easy Elegance Planks can also be installed on 15/16-in. ceiling grid, using the Easy Up® Clips in accordance with these instructions.

SPACE CONSIDERATIONS – BEFORE YOU BEGIN:

- The system is a floating system when using the Easy Up® track and clip system that allows for natural movement of a home. Ensure that the surface is level and planks can slide freely within their clips.
- Maintain consistent temperature and humidity levels after installation. Temperatures should not exceed 130°F. See appropriate indoor temperature and humidity conditions for this product in the warranty.
- Installation must not be direct to exterior roof joist. Furring strips or Easy Up® tracks will provide the required 1/2-in gap between planks and above surface. Do not allow anything to touch the back of the planks, such as insulation.
- Planks should not be installed below embedded radiant heat coils.
- Allow for a 1/4-in gap around all columns, beams, and obstructions.
- Plan for lighting or other fixtures that may be included in your room:
 - Mount electrical boxes so they are 3/8-in lower than the surface to which you will attach planks. Remember to add for height of Easy Up® track (1/2-in) or furring strip. With Easy Up® tracks, total drop will be 7/8-in.
 - Use light fixtures that will not raise the temperature of the planks above 130° Fahrenheit to prevent discoloration of the plank. Contact the lighting manufacturer for any questions about the amount of heat generated by the light.
 - Allow for a 1/4-in of space around the perimeter of the fixture, to be covered by the fixture trim or facer.
- If you are installing on a sloped ceiling, the Easy Up® Installation System is intended for ceilings with a slope of less than 10 degrees. Planks should run horizontally across the plane of the ceiling. Planks should not run vertically, with the long edge running up the slope of the ceiling.
- Easy Elegance Plank Woodgrain White can be installed directly to existing painted or unpainted drywall ceilings and walls using construction adhesives. The recommended construction adhesives are Liquid Nails® Heavy Duty Construction Adhesive or Henry® 237 AcoustiGum™ Acoustical Ceiling Tile Adhesive. Please follow adhesive manufacturer's instructions for application and usage. It is recommended to test and confirm suitability prior to installation. Armstrong does not guarantee the performance of these or other adhesive products, either alone or in conjunction with Armstrong products.
- For the best finished appearance, mix planks from multiple cartons while installing.
- Always cut ceiling planks face down.
- When installing the planks, connect the tongue and groove on the short end first, then the long end.
- **Uncertain of how these considerations impact your project—call for guidance at 1-877-ARMSTRONG (276-7876).**

SAFETY:

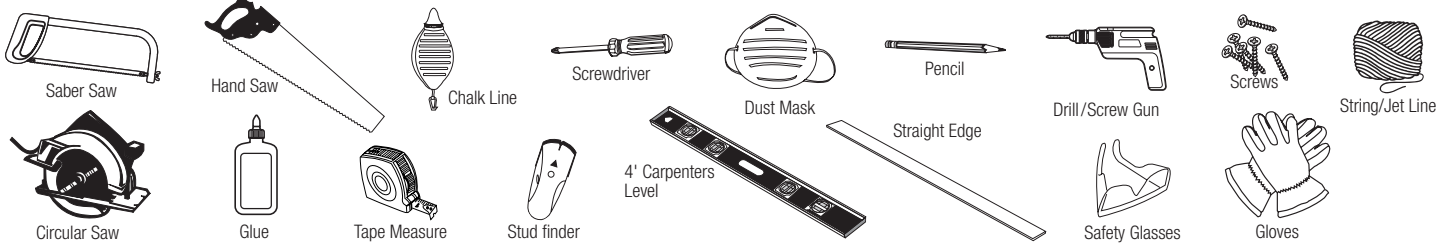
- **CAUTION:** Sawing, sanding, and machining Easy Elegance Planks can produce dust. Airborne dust can cause respiratory, eye and skin irritation. Establish and maintain adequate ventilation in the work area.
- Wear long-sleeve clothing and gloves.
- Wear safety glasses to minimize the risk of eye injury.
- Store cutting equipment properly when not in use.
- Follow manufacturer's instructions when working with adhesives for glue-up installation method. Follow the first aid measures in the manufacturer's Safety Data Sheet if glue comes in contact with your skin or eyes or is inhaled or ingested.
- When working on the lighting in your new ceiling, remember to turn off the circuit breaker.

MAINTENANCE HINTS:

- After cutting the planks, wipe them down prior to installing.
- Remove dust and loose dirt with a soft brush or vacuum hose with a soft brush attachment.
- Remove pencil marks, small smudges, or clinging dirt with an ordinary art-gum eraser.
- Clean with a damp cloth.

Easy Elegance™ Plank Woodgrain White Installation Instructions

TOOLS NEEDED:



- For can lights/ceiling inserts: jig saw or dremel.
- Crown molding >1.5-in
- Be sure to follow the manufacturer's recommendations when using power tools.
- **For Easy Elegance™ Plank Woodgrain White with Easy Up® track and clips instructions only:**
 - Armstrong® Easy Up® tracks and clips.
- **For Easy Elegance Plank Woodgrain White glue-up instructions only:**
 - Specified construction adhesives.
 - Caulk gun (when using Liquid Nails® Heavy Duty Construction Adhesive).
 - Trowel with 1/4-in x 1/2-in x 1/4-in notches (when using Henry® 237 AcoustiGum™ Acoustical Ceiling Tile Adhesive).
 - Putty knife.
 - Sponge float.

INSTALLING EASY ELEGANCE PLANK WOODGRAIN WHITE WITH EASY UP® TRACKS AND CLIPS:

GENERAL INSTALLATION

In this example, we are installing Easy Elegance Woodgrain White planks with Easy Up track and clips over unfinished drywall. You can also install planks direct to joists or studs, or other existing ceilings, using the same Easy Up® tracks.

When installing directly to an existing ceiling, find joists and mark with chalk line. **(photo A)**

Running perpendicular to the joists, mark where tracks will be placed. Start 2-in from the starting wall. Spacing is 16-in on center or less. **(photo B)**

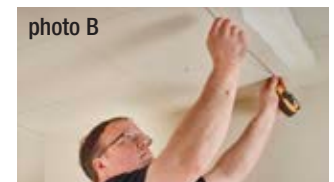
Ensure that you do not have tracks running directly over light fixture holes or other ceiling obstructions. Adjust tracks by reducing space between tracks (never greater than 16-in spacing.) **(photo C)**

Screw first Easy Up track, making screw connections at each joist location. Install track with #6 coarse thread screws appropriate for your ceiling (1 5/8-in – Direct to Joist; 2-in – Drywall; 3-in – Plaster). Start on your mark, 2-in from the parallel wall, with the end of the track against the perpendicular wall. **(photo D)**

Attach second track. No need to place end-to-end. Simply overlap tracks, side-by-side, by at least 1-in. Leave a 1/8-in gap between tracks. **(photo E)**

If you need to cut track pieces shorter, use a chop saw or hack saw. Ensure you have the right blade for metal. Do not crush track, as clips would not fit. And remember your protective safety glasses and cut resistant gloves.

It is imperative to level your tracks. Simply use a bubble level and insert shims (loosen screw and tighten to get a level track). Check both levels in the direction of the track (parallel), as well as across tracks (perpendicular.) **(photo F)**



Easy Elegance™ Plank Woodgrain White Installation Instructions

Continue screwing tracks to joists in the ceiling. At the finishing wall, install the last track 2-in away from the wall. **(photo G)** (In this picture, note that the installers didn't have to cut any metal pieces. Overlapping the track by more than an inch is fine!)

Cut the "tongue" side off of the length of the plank for your first border plank. TIP: Using a table saw or circular saw helps to ensure a clean straight line. **(photo H)**

Lift the cut plank into place and leave a 3/4-in gap between the wall and short end of the plank. Attach the plank to a track with a single screw positioned close to the cut off edge and towards the center of the long edge of the plank. **(photo I)**

Only use one screw to hold the plank in place while you move the Easy Up® clips into the groove edge of the plank. Your future molding will hold the planks in place. TIP: Another option is to use three finish nails as a ledge, located directly under the face of the plank, on which you can rest the plank while you slide the clips into place.

Snap an Easy Up Clip onto every track. **(photo J)**

Slide the clip on the track until it connects with the "Groove" of the plank. The clip should loosely hold the upper edge of the groove on the plank. **(photo K)**

Continue to build your ceiling by connecting the tongue and groove on the long side and end of the plank. Ensure a 3/4-in gap on finishing wall. This will be covered by molding. **(photo L)**

Lay out the room with staggered seams. In most installations, you should be able to use the leftover cut plank from one row to start the next row, with very little waste. Do not use planks smaller than 26-in to ensure attachment with two clips. **(photo M)**

The tongue of the new plank will slide into the groove of the receiving plank, hiding the Easy Up clip.

Double check your math for the width of the last plank. Measure the remaining distance to the wall, and cut off the groove edge of the plank to fit the space. There should be a 3/4-in gap at the border. Tip the tongue of the plank into the groove of the receiving plank. **(photo N)**

Support the last plank by either screwing it to the Easy Up track with a single screw (TIP: Pre-drilling helps) or create a ledge using finishing nails hammered every 16-in into the wall directly below the face. (Molding will hide screw or nails) **(photo O)**

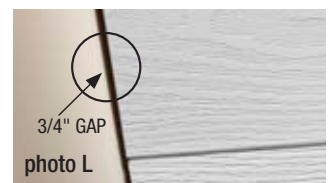
We recommend finishing the job with crown molding (not sold by Armstrong Ceilings), painted to match other trim in your space.

A slightly damp rag will remove any dust from your install, leaving you with a beautiful new ceiling.

Determine Your Layout and Size of Your Border Planks.

Measure the length of the room, in the direction of your tracks, and opposite the joists, to determine the size of your border planks.

	Example:	Your Room:
1. Total room length	Room = 178-in	_____
2. Divide total by 6-in	178-in ÷ 6-in = 29.67	_____
3. Multiply the remainder by 6-in	0.667 x 6-in = 4-in	_____
4. Add 6-in to the result	4-in + 6-in = 10-in	_____
5. Divide results by 2	10-in ÷ 2 = 5-in	_____
6. This is your border plank width	Border plank width = 5-in	_____



Easy Elegance™ Plank Woodgrain White Installation Instructions

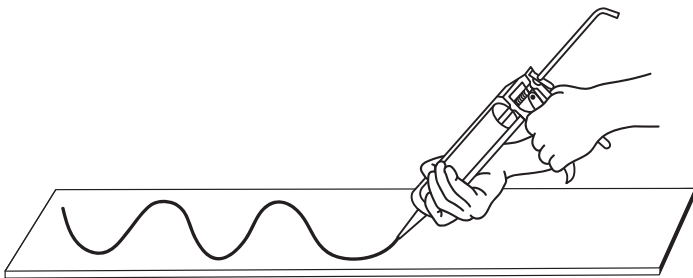
INSTALLING EASY ELEGANCE™ PLANK WOODGRAIN WHITE WITH ADHESIVE

Easy Elegance™ Plank Woodgrain White can be installed with specified adhesives as an alternative installation method. Armstrong Ceiling and Wall Solutions recommends Liquid Nails® Heavy Duty Construction Adhesive or Henry® 237 AcoustiGum™ Acoustical Ceiling Tile Adhesive when using the glue-up installation method. The adhesive will not be supplied by Armstrong and must be purchased separately. The glue provides a secure bond and does not require any supplemental mechanical attachment as long as these instructions are followed. Easy Elegance Plank Woodgrain White can be installed on ceilings and walls with the two specified adhesives following these installation instructions.

Please use caution when using the adhesive if you are using the glue-up installation method. Follow the first aid measures in the manufacturer's Safety Data Sheet if glue comes in contact with your skin or eyes or is inhaled or ingested. Follow the adhesive manufacturer's recommendations for surface preparation and application rate.

If Using Liquid Nails® Heavy Duty Construction Adhesive

Cut nozzle at a 45° angle at the 1/4-in mark. Puncture inner seal with nail or wire. Using a caulk gun, apply a 1/4-in bead of adhesive in a zig-zag pattern down the plank (as shown below). The adhesive should be no more than 1-in away from all edges of the plank.



If Using Henry® 237 AcoustiGum™ Acoustical Ceiling Tile Adhesive

Using a trowel with 1/4" x 1/2" x 1/4" notches, apply the adhesive to the locations (as shown) per the panel size you are using. An adhesive spot should be no more than 4" x 4" in size, and it should be no more than 1" away from the edge of the plank. A 6" x 48" plank will receive four glue spots of 4" x 4".

It is recommended to use an alignment method (i.e., laser, chalk line) to make sure the panels are properly positioned during installation. Install the plank so the female groove side is outward.

Once in position, push the plank against the drywall applying even hand pressure to the plank where the adhesive is located, starting at the center first, and then working to the edges. By attaching the center first, the installer can still pivot the panel slightly left or right before adhering the edges. This ensures that the plank can be aligned correctly first before the edges are solidified into place. Avoid excessive pressure to minimize plank flexing that will disturb the previously pressed areas of adhesive and result in release of the adhesive. Align and insert the male tongue side to the adjacent female groove by gently pressing and sliding the male tongue edge into the adjacent short groove. Once the male tongue edge is fully engaged with the female groove, press a sponge float across all areas of the plank where glue was applied to ensure all glue spots are properly compressed and adhered to the drywall.

Any slight adjustments to the plank placement should be done immediately to not weaken the adhesive bond. Once the plank is evenly pressed into position, the adhesive should provide an immediate bond to hold the plank in place while the adhesive sets.



Easy Elegance™ Plank Woodgrain White Installation Instructions

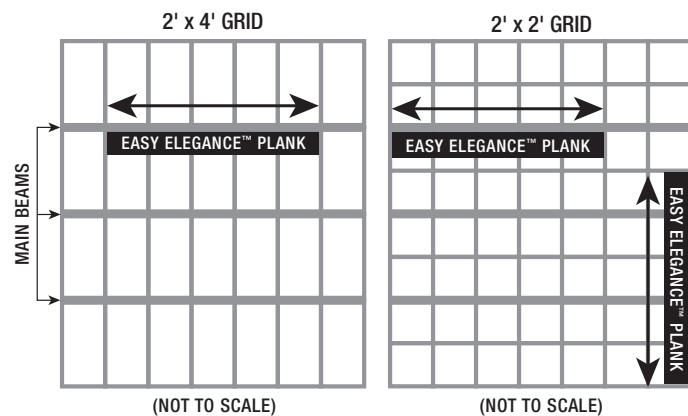
INSTALLING EASY ELEGANCE™ PLANK WOODGRAIN WHITE ON A 15/16-IN SUSPENSION SYSTEM WITH EASY UP® CLIPS

GENERAL INSTALLATION

- Do not install Easy Elegance™ planks over an existing acoustical tile ceiling. If you are updating an existing 15/16-in suspension system, be sure to remove the ceiling panels prior to installing Easy Elegance planks.
- If you need instructions for installing a new Armstrong® Prelude® suspension system, please visit ceilings.com/installation.
- Easy Up® clips are sold separately. Visit ceilings.com to order a sample Easy Up clip to test your grid. Clip should snap on with a snug fit, be able to slide on the grid, and require some force to remove.
- Easy Elegance planks must be supported every 16-in.

Determine Plank Direction

- In a typical 2-ft x 4-ft suspended ceiling layout, install planks perpendicular to the cross tees, parallel to the main beams as shown in the image below.
- In a typical 2-ft x 2-ft suspended ceiling layout, you can install planks either perpendicular to or parallel with the cross tees as shown in the image below.



Determine Your Layout and Size of Your Border Planks.

Measure the length of the room, in the direction of your tracks, and opposite the joists, to determine the size of your border planks.

	Example:	Your Room:
1. Total room length	Room = 178-in	_____
2. Divide total by 6-in	$178\text{-in} \div 6\text{-in} = 29.67$	_____
3. Multiply the remainder by 6-in	$0.667 \times 6\text{-in} = 4\text{-in}$	_____
4. Add 6-in to the result	$4\text{-in} + 6\text{-in} = 10\text{-in}$	_____
5. Divide results by 2	$10\text{-in} \div 2 = 5\text{-in}$	_____
6. This is your border plank width	Border plank width = 5-in	_____

When starting or ending an Easy Elegance Plank installation on 15/16-in suspension system, screw the plank directly to the wall molding.

TIP: This should be covered with a molding of your choice.

Easy Elegance™ Plank Woodgrain White Installation Instructions

Installing the First Plank

Cut the “tongue” side off the length of the plank for your first border plank (**illus. A**). Using a table saw or circular saw helps to ensure a clean straight line.

Leave 3/4-in gap along the starting wall. Lift the first plank up into place and insert the Easy Up® clips into the groove side of the plank (**illus. B**). Attach the non-supported cut edge of each plank with a screw going into the existing wall molding. These screws should be covered with molding at the end of the installation. Molding will add additional support for the plank.

TIP: Another option is to use three finishing nails as a ledge, located directly under the face of the plank, on which you can rest the plank while you slide the clips into place.

Installing the Remaining Planks

Lay out the room with staggered seams. In most installations, you should be able to use the leftover cut plank from one row to start the next row, with very little waste (**illus. C**). Do not use planks smaller than 26-in to ensure attachment with two clips.

Continue installing the plank by connecting the tongue and groove on the long side and end of the plank and snapping an Easy Up Clip at every grid intersection. Slide the clip on the grid until it connects with the “Groove” of the plank. The clip should loosely hold the upper edge of the groove on the plank.

TIP: When a plank’s leading-edge lands on or near a parallel grid track and an Easy Up clip cannot be installed, the way the panels are run will determine what you need to do. If you are running the panels perpendicular to the main grid tracks, and the edge of the panels ends on a cross tee, you need to move that cross tee to a different route hole, so it does not interfere with the clips. If you are running the panels parallel with the main grid tracks, you may have to reconfigure the location of the main grid track to not interfere with the clip installation. This step is more complicated than moving the cross tees.

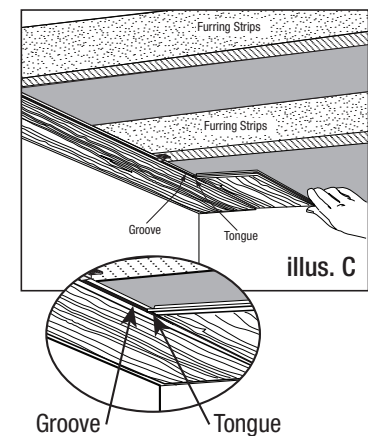
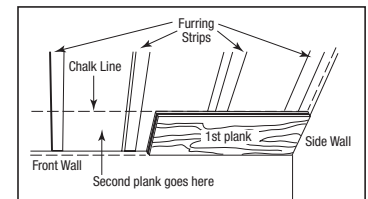
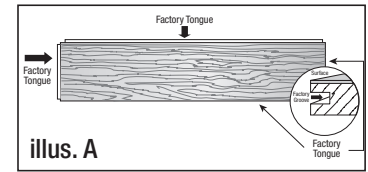
Continue to build your ceiling. Double check your math for the width of the last plank. Measure the remaining distance to the wall and cut off the groove edge of the plank to fit the space.

To install the last plank, tip the tongue of the plank into the groove of the receiving plank. Support this plank by either screwing it to the wall molding with a single screw or create a ledge using finishing nails hammered every 16-in into the wall directly below the face (**illus. D**).

TIP: Pre-drilling helps.

We recommend finishing the job with crown molding (not sold by Armstrong Ceilings), painted to match other trim in your space.

Clean with a slightly damp rag to remove any dust from your install, leaving you with a beautiful new ceiling.



INSTALLING EASY ELEGANCE™ PLANKS ON WALLS

- Maintain consistent humidity levels after installation.
- Backer material is recommended for vertical or horizontal installations to smooth out the wall.
- While the traditional orientation of wainscoting is vertical, the Easy Elegance planks can be installed on walls either vertically or horizontally.
- Easy Elegance planks can be installed vertically or horizontally on walls using the adhesive installation method previously described. Follow the same instructions as listed in the “Installing Easy Elegance Plank Woodgrain White with Adhesive” section.

Tools Needed:

Hand saw, circular saw (optional), saber saw (optional), measuring tape, chalk line, cordless or hand screwdriver and pencil. When using power tools, be sure to follow the manufacturer’s recommendations for their use.

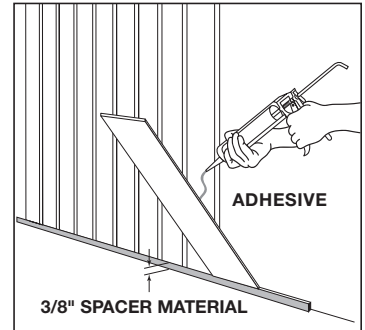
Easy Elegance™ Plank Woodgrain White Installation Instructions



To prevent wet floors from damaging the planks, install a piece of 3/8-in thick spacer material on the wall at the floor so the bottom of the planks can butt against the top of the spacer material (**illus. A**).

When installing the planks vertically or horizontally, you should use one of the recommended construction adhesives (Liquid Nails® Heavy Duty, Henry® 237 AcoustiGum™) to secure the planks to the wall or backer material. Backer material is only needed if the wall is not level. Be sure to test and confirm the suitability of the construction adhesive to the surface you are adhering to.

Follow the adhesive manufacturer's recommendations for surface preparation and application rate. If the planks do not stick to the wall immediately, use painter's tape to hold the planks to the wall until the adhesive sets up. Finish with a trim of your choice.



illus. A

Maintenance Recommendation:

Clean with a damp cloth.

EASY ELEGANCE™ CEILING PLANK LIMITED LIFETIME RESIDENTIAL WARRANTY

For the most up-to-date warranty information, visit ceilings.com/warranty.

For additional information on installing Easy Elegance Planks, including special installation tips and videos, please visit our website at ceilings.com or call customer service at 1-877-ARMSTRONG (276-7876).