

WOODWORKS® Open Cell

Assembly and Installation Instructions

1. GENERAL

1.1 Product Description

WoodWorks® Open Cell ceiling panels consist of 12" and 6" square cells and 6" linear cells that are downward accessible, and are designed to be installed on a conventional 15/16" wide Prelude® suspension system. Available sizes are 24" x 24" and 24" x 48". All full panels can be removed and re-installed without the need for access to the plenum. Only two sides support installed panels. These edges have specially designed kerf details which allow one edge of the panel to be raised slightly off of the grid flange and then moved out of position. The other two sides are fitted with rabbeted edges which work to center the panel within the grid opening.

1.2 Surface Finish

All WoodWorks Open Cell ceiling panels are constructed from solid poplar, are stained, and have a clear or semi-gloss coating.

1.3 Storage and Handling

Ceiling components should be stored in a dry interior location and must remain in cartons prior to installation to avoid damage. The cartons should be stored in a flat, horizontal position. The protectors between panels should not be removed until installation. Proper care must be taken when handling to avoid damage and soiling. Do not store in unconditioned spaces with humidity greater than 55% or lower than 25% RH and temperatures lower than 50°F or greater than 86°F. Panels must not be exposed to extreme temperatures, for example, close to a heating source or near a window where there is direct sunlight. **NOTE:** WoodWorks Open Cell ceiling panels feature exposed edges. Exercise appropriate care to avoid unnecessary contact with the panel edges. Remember that the grid flanges will not conceal panel edge damage.

1.4 Site Conditions

WoodWorks Open Cell ceiling panels should be permitted to reach room temperature and have a stabilized moisture content for minimum of 72 hours before installation. They should not, however, be installed in spaces where the temperature or humidity conditions vary greatly

from the temperatures and conditions that will be normal in the occupied space. These products cannot be used in exterior applications.

1.4.1 HVAC Design & Operation

Proper design for both supply air and return air, maintenance of the HVAC filters, and building interior space are essential to minimize soiling. Before starting the HVAC system, make sure air supply is properly filtered and the building interior is free of construction dust.

1.4.2 Temperature & Humidity During Installation

WoodWorks Open Cell ceiling panels are interior finish products that are designed for installation to be carried out in temperature conditions between 50°F (10°C) and 86°F (30°C), in spaces where the building is enclosed and HVAC systems are functioning and will be in continuous operation. Relative humidity must not fall below 25% or exceed 55%. Additionally, the fluctuation in relative humidity must not vary more than 30% over the life of the ceiling panels. There must be proper ventilation of the plenum in high-moisture areas. All wet work (plastering, concrete, etc.) must be complete and dry.

Real wood and wood composite products are natural building materials and they will react to changes in humidity. (Wood tends to contract with lower humidity and expand with higher humidity.) Wood could also have a tendency to warp, twist or bow, due to the natural stresses in the components and these humidity changes.

Be aware of these natural tendencies when evaluating the products. To ensure that the ceiling panels have stabilized to the current building conditions, prior to their installation, the panels must be placed in an environmentally stable building location for a minimum of 72 hours.

1.4.3 Plenum

Installation of WoodWorks® Open Cell ceiling panels require a minimum of space in the plenum, primarily that which is required to install the hanger wires for the suspension system. Three inches (3") is generally accepted as the minimum practical space that is needed to attach these wires.

NOTE: Light fixtures and air-handling systems require more space and will determine the minimum plenum height for the installation.

1.5 Color

WoodWorks Open Cell ceiling panels are made of solid wood and are available in 15 standard finishes; custom options available. Natural variations in color and grain are characteristic of wood products. To maximize visual consistency, panels should be unpacked and examined collectively to determine the most desirable arrangement for installation.

1.6 Fire Performance

As with other architectural features located at the ceiling, WoodWorks Open Cell ceiling panels may obstruct or skew the planned fire sprinkler water distribution pattern, or possibly delay or accelerate the activation of the sprinkler or fire detection systems by channeling heat from a fire either toward or away from the device. Designers and installers are advised to consult a fire protection engineer, NFPA 13, and their local codes for guidance where automatic fire detection and suppression systems are present.

2. PANEL EDGES

2.1 General

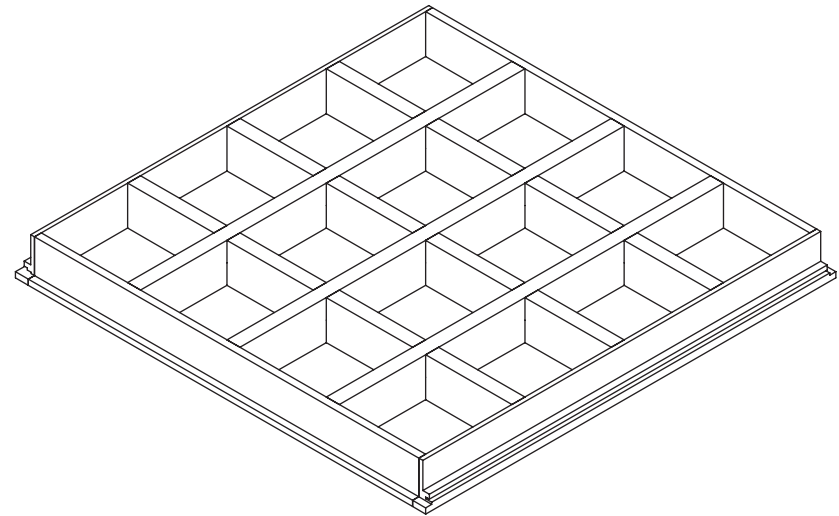
The edges of the WoodWorks Open Cell ceiling panels feature unique detailing. The following section is intended to define and explain the function of the edge details (*Fig 1*).

2.2 Access Kerf Edge

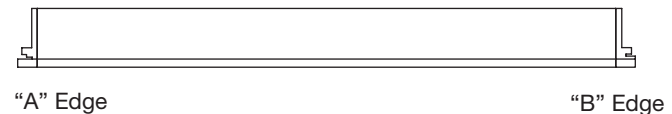
The panel edge designated as "A" has a stepped groove detail and is called the access kerf. This edge is the first to engage the suspension system. Review the drawings provided to familiarize yourself with this unique detail. Remember that the "A" edge is always installed first. This panel edge is also the one that must rise when the ceiling must be accessed (*Fig 2*).

2.3 Registration Kerf

Edge "B" has a single kerf detail that supports the second side and centers the panel in the "A"–"B" direction. This edge is referred to as the registration kerf and is opposite edge "A" (*Fig 2*).



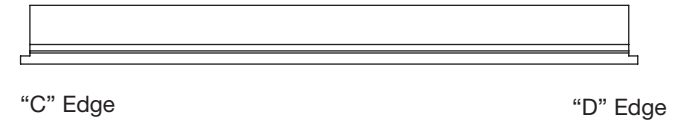
(Fig 1)



(Fig 2)

2.4 Reverse Tegular Edges

The two remaining panel edges are rabbeted to fit between the flanges of the grid system. These edges center the panel in the “C” – “D” direction and are called reverse tegular edges (*Fig 3*).



3. ACCESSORIES

3.1 Infill Panels

Use 24" x 24" black BioAcoustic™ infill panels (Item 5823) and 24" x 24" black Calla® panels to improve acoustical performance.

3.2 Clear Hold-down Clip (Item CHDC)

4. SUSPENSION SYSTEM

4.1 General

The requirements listed here represent the manufacturer’s minimum acceptable installation recommendations and may be subject to additional requirements established by the local authority having jurisdiction. All installations should follow ASTM C636. All references to suspension component duty ratings are per ASTM C635. The suspension layout (main beam and cross-tee spacing) will depend on the panel size being installed. Please refer to the appropriate section below for the layout specific to your panel size. Contact TechLine for information on alternate grid layouts if it is required for changing the grain direction or integrating fixtures.

Panels install in a conventional grid layout with main beams at 48" O.C. Follow the guidelines in Section 4.2 for 24" x 24" and 24" x 48" panels. The suspension system must be standard Prelude® XL® 15/16" suspension system. The installation must, in all cases, conform to the requirements of the International Building Code and its referenced standards. Walls or soffits that serve to support a panel edge must be braced to the structure so as not to allow movement greater than 1/8" when subjected to design lateral force loads. When such bracing is not practical or is not effective, additional mechanically connected grid components must be provided to capture all edges of every panel. Axiom® perimeter trim connected to the grid with AXTBC clips will also meet this requirement.

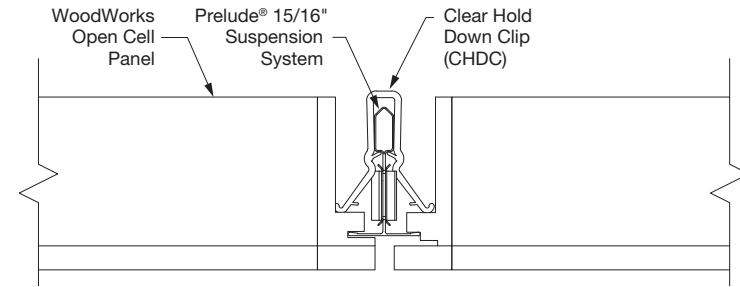
(Fig 3)

4.2 Suspension Grid

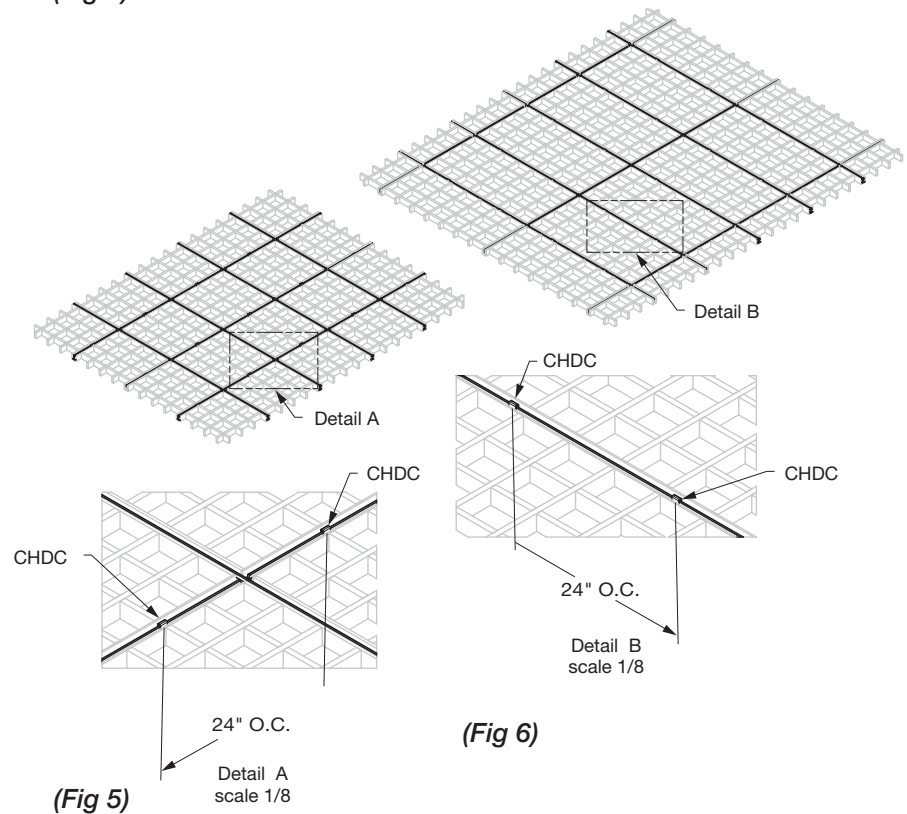
For 24" x 24" and 24" x 48" WoodWorks® Open Cell ceiling panels, the main beams must be spaced 48" O.C. The 48" cross tees must intersect the main beams at 90° every 24" for 24" x 24" panels. The 24" cross tees must be installed at the midpoints of the 48" tees. Hanger wires must be installed not more than 48" O.C. along the length of the main beams. The suspension system must be leveled to within 1/4" in 10' and must be square to within 1/16" in 2'. Installation on grid systems that do not meet this tolerance will produce unacceptable panel alignment. For best visual keep wires in main/tees intersection.

4.3 Clear Hold-down Clips (CHDC)

Clear Hold-down Clips (CHDC) are to be installed at the "A" and "B" edges of the panels (2 clips for 24" x 24" and 3 clips for 24" x 48"). The clips need to be used in all applications, regardless of the seismic category (*Figs 4-6*).



(Fig 4)



(Fig 5)

(Fig 6)

4.4 Panel Face Offset

The face of the WoodWorks® Open Cell ceiling panel extends 7/16" below the suspension system. The height of components that interface with the ceiling panels, such as sprinkler heads and light fixture trim rings, will have to be adjusted to accommodate this 7/16" offset (*Fig 7*).

5. PANEL INSTALLATION AND REMOVAL

5.1 General

WoodWorks Open Cell ceiling panels are easily installed and removed from below the suspension system without the aid of tools or special equipment, allowing easy downward access to the plenum.

5.2 Installing Full-size Panels

WoodWorks Open Cell ceiling panels are installed in a simple three-step process:

STEP 1: Fully insert the deepest kerf of edge "A", the access kerf, onto the exposed grid flange (*Fig 8*).

STEP 2: Raise the "B" edge of the panel, the registration kerf, into the grid opening until the kerf lines up with the grid flange (*Fig 9*).

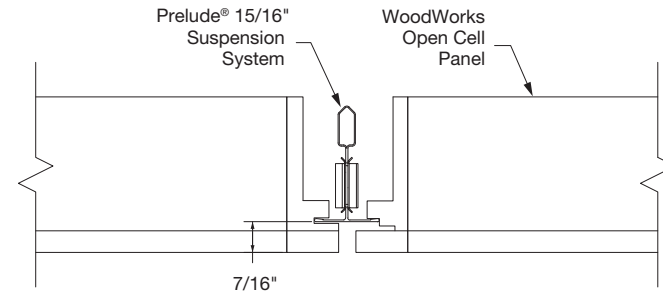
STEP 3: Slide the panel so that the registration kerf on edge "B" engages the grid flange. Ensure that the access kerf on edge "A" drops down into the correct position (*Fig 10*).

5.3 Orientation of Full-size Panels

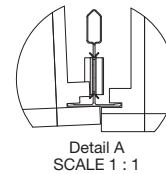
Install all full-size panels with the "A" edge facing in the same direction to provide access consistency. Align panels as you proceed to insure a uniform reveal width in both directions. Pay particular attention to this alignment process. Minor variations in placement can be difficult to see from the scaffold, but will become obvious when looking down long runs of panels.

5.4 Panel Removal

Press against the panel face to identify the edge that raises easily. This is the "A" edge. Move the "A" edge up and toward the web of the grid member until the "B" edge disengages and drops out of the ceiling plane.



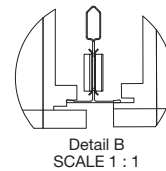
(Fig 7)



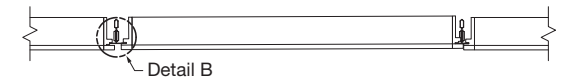
1) Fully insert the deepest kerf of edge "A", the access kerf, onto the exposed grid flange.



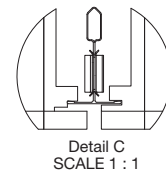
(Fig 8)



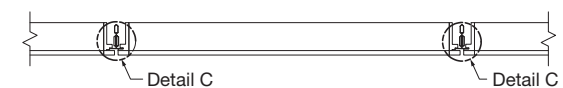
2) Raise the "B" edge of the panel, the registration kerf, into the grid opening until the kerf lines up with the grid flange.



(Fig 9)



3) Slide the panel so that the registration kerf on edge "B" engages the grid flange. Ensure that the access kerf on edge "A" drops down into the correct position.



(Fig 10)

6. PERIMETER DETAILS

6.1 General

There are multiple perimeter solutions for WoodWorks® Open Cell ceiling panels. Perimeters must be detailed as described in the following sections.

6.2 Cutting the Panel

Panels cannot be cut. Panels should be installed in full-size panel only. For wall-to-wall installations where full panel installation is not possible at the perimeter, refer to Section 6.3.2.

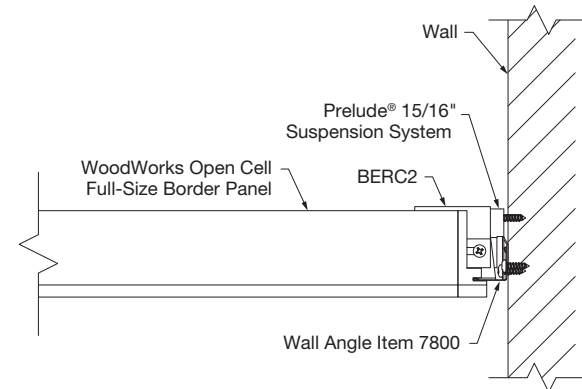
6.3 Wall-to-Wall Installations

6.3.1 The face of the suspension system components rests directly on the wall molding. Full-size panels must be used. The grain pattern on the panels dictates that they can be rotated 180°, but not 90° (*Fig 11*).

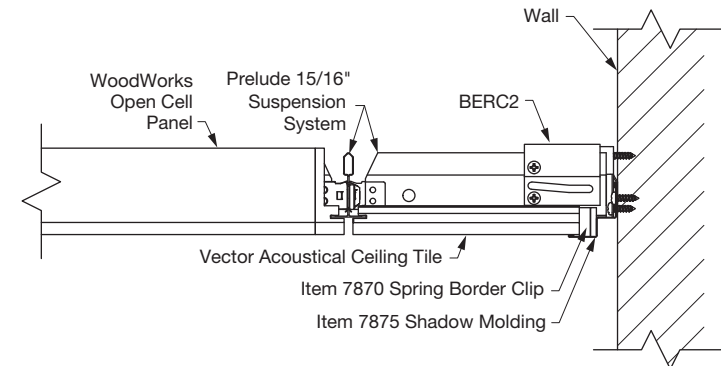
6.3.2 Room dimensions or wall straightness may not allow for full panel installations at the perimeter. Because panels cannot be cut, the following options can be used to address perimeter conditions.

6.3.2.1 Perimeters can be finished with an acoustical ceiling panel; Calla® Vector® panel is recommended to get the best aesthetically pleasing transition. With this perimeter solution, shadow molding is the most user friendly (Item #7875 or #7897 – seismic). Full WoodWorks Open Cell ceiling panel around the perimeter must have the “A” edge facing in, towards the field of the ceiling, while the “B” edge on Calla Vector panel is facing in. It is recommended to install corner panels first. Preparation of the corner panel will require the removal of two edges. Install the panel from above the suspension system and align the “B” edge with the suspension system flange. It may be necessary to swing a cross tee to the side to ease installation. Spring Border Clips will be required for perimeters (Item 7870) and must be used on two sides for corner panels to maintain the location of the panel (*Fig 12*).

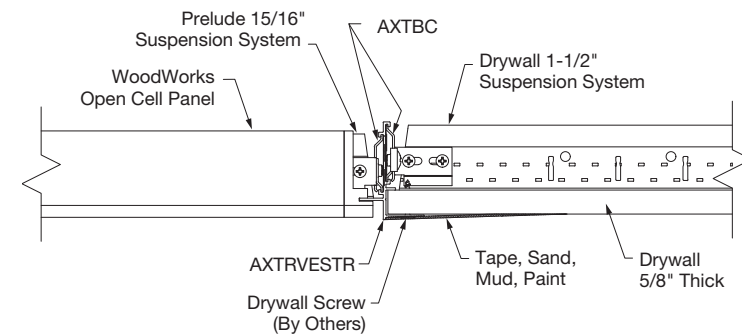
6.3.2.2 Perimeters can also be finished with a drywall surround. Axiom® transition Item AXTRVESTR (drywall to acoustical) is a transition piece that can be used to transition from the WoodWorks Open Cell ceiling panel to a drywall ceiling without the need to create a bulkhead or stud framing (*Fig 13*).



(Fig 11)



(Fig 12)



(Fig 13)

6.4. Floating Perimeter

Axiom® Vector® trim can be used for straight cloud installations with WoodWorks® Open Cell ceiling panels. The use of the adjustable trim clip, Item 7239, will fasten trim to the suspension system and allow for trim height adjustments as needed. For the best visual, it is recommended to have a black finish on the trim (*Fig 14*).

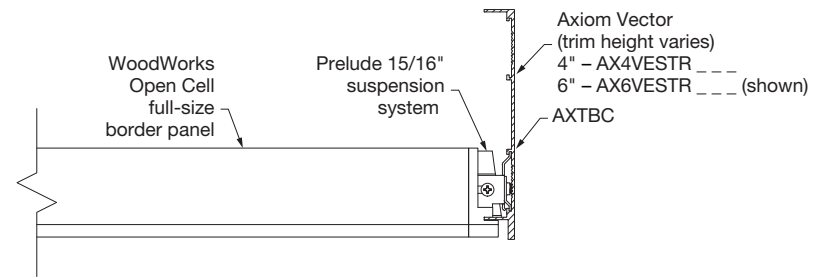
WoodWorks solid wood trims can also be used in cloud applications when paired with angle wall molding, Item 7800. Item 7800 will be fastened to the trim using a #8-1/2" pointed truss head screw (by others) at the desired height. The panel face of the WoodWorks Open Cell extends 7/16" below the suspension system; this dimension will need to be kept in mind if desiring a flush visual between the panel face and wood trim. The suspension system will then be fastened to the wood trim using the 5925 clips and additional screws, every 24" O.C. and overlapping the Item 7800 angle molding (*Figs 15 & 16*).

7. SEISMIC RESTRAINT

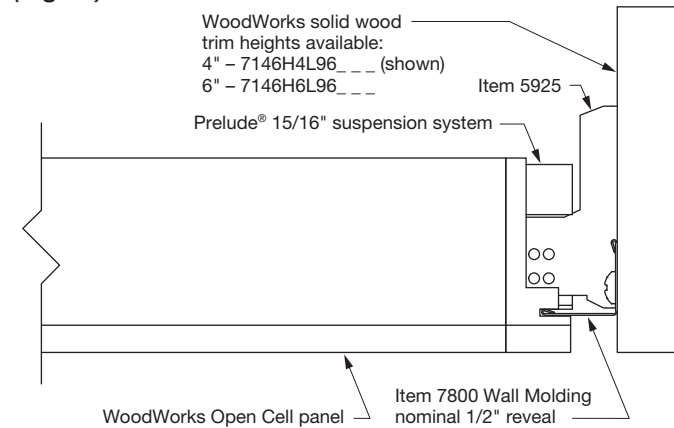
WoodWorks Open Cell has been engineered for application in seismic areas. This system has been successfully tested in applications simulating seismic design categories D, E, and F. For applications in seismic zones, review the following guidelines. Check local code for the need for lateral bracing and/or compression posts/splay wires, perimeter wires and for additional installation requirements.

8. CLEANING RECOMMENDATIONS

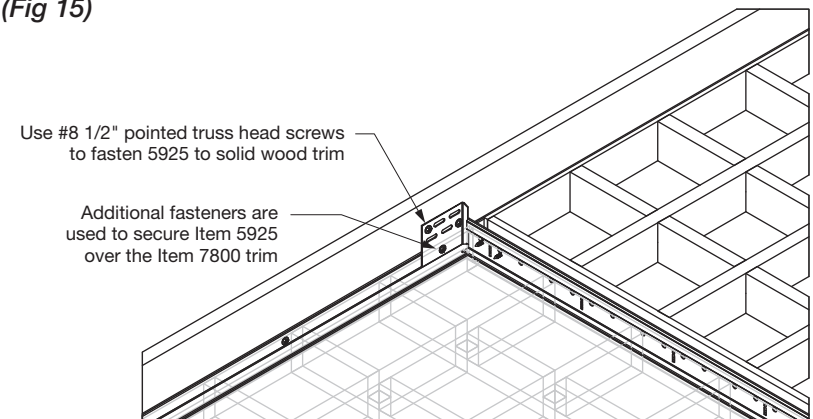
WoodWorks Open Cell ceiling panels can be cleaned with a soft, dry cloth.



(Fig 14)



(Fig 15)



(Fig 16)

Item No.	Description	Ordered Separately/ Included With	Required for Install
6734F51L2D1_ _ _	24" x 24" with 12" cells	Ordered Separately	Based on Design
6734F51L2D2_ _ _	24" x 24" with 6" cells	Ordered Separately	Based on Design
6734F51L4D2_ _ _	24" x 48" with 6" cells	Ordered Separately	Based on Design
6734F51L2D3_ _ _	24" x 24" with 6" x 24" cells	Ordered Separately	Based on Design
6734F51L4D4_ _ _	24" x 48" with 12" x 24" cells	Ordered Separately	Based on Design
SUSPENSION SYSTEM			
7301	Prelude® XL® 12' HD Main Beam	Ordered Separately	Yes
XL7341	Prelude XL 4' Cross Tee	Ordered Separately	Yes
XL8320	Prelude XL 2' Cross Tee	Ordered Separately	Yes – For 24" x 24" Layouts
7891	12-gauge Hanger Wire	Ordered Separately	Yes
PERIMETER TRIM			
7800	Angle Wall Molding	Ordered Separately	Based on Design
7875	Shadow Molding	Ordered Separately	Based on Design
7897	Shadow Molding (Seismic)	Ordered Separately	Based on Design
AX_STR_ _ _	Axiom® Vector Straight Trim – recommend in Black	Ordered Separately	Based on Design
AXTRVEST_ _	Axiom Straight Transition for Vector	Ordered Separately	Based on Design
ACCESSORIES			
7239	Adjustable Trim Clip (ATC)	Ordered Separately	Based on Design
7870	Spring Border Clip	Ordered Separately	Based on Design
CHDC	Clear Hold Down Clip	Ordered Separately	Yes
BERC2	2" Beam End Retaining Clip	Ordered Separately	Yes
Infill Panels			
5823	BioAcoustic™ Infill Panel – 24" x 24" in Black Matte Finish	Ordered Separately	Based on Design
2824BL	Calla® Square Lay-in Panel – 24" x 24" in Black Finish	Ordered Separately	Based on Design

When specifying or ordering, include the appropriate 3-letter color suffix (e.g., 6734F51L2D1 G M P).

MORE INFORMATION

For more information, or for an Armstrong Ceilings representative, call 1 877 276-7876.
For complete technical information, detail drawings, CAD design assistance, installation information, and many other technical services, call TechLine customer support at 1 877 276 7876 or FAX 1 800 572-TECH.

All trademarks used herein are the property of AWI Licensing LLC and/or its affiliates.
© 2023 AWI Licensing Company Printed in the United States of America

BPLA-297841-323

