

VIDASHIELD™ Trim Kit for Drywall and ACOUSTIBuilt™

Assembly and Installation Instructions

1. DRYWALL GRID INSTALLATION

Drywall Grid System will be installed in a typical manner with main beams 4' O.C. and 48" cross tees 16" or 24" O.C. as required.

NOTE: For ACOUSTIBuilt installations, cross tees 16" O.C. is required. This fixture kit is made to receive 5/8" drywall or 7/8" ACOUSTIBuilt panels.

1.1 It is best to account for the VidaShield fixture layout as you install your grid the first time. It is recommended to house the fixture within the normal 48" O.C. main beam spacing with the long edge of the fixture running parallel to the main beam.

KIT ITEM # 52DACBTK Parts List			
Item	Qty	Item Number	Description
1	4	AX4SPLICEB	Splice Plate
2	2	AXTR7907	9/16" TEGULAR Transition Molding
3	2	AXTR7907	9/16" TEGULAR Transition Molding

(Fig 1)

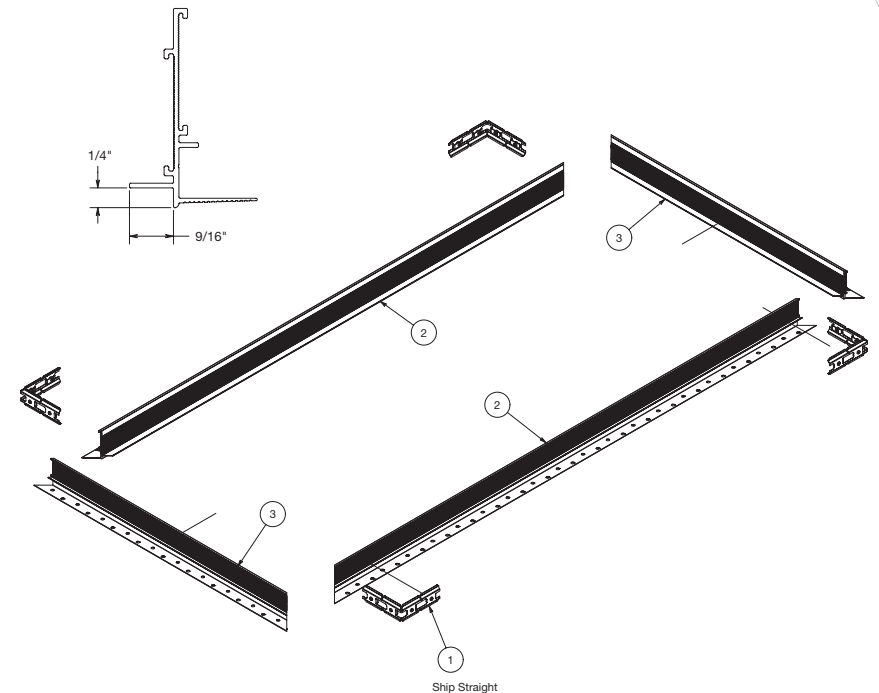
1.2 Create a 25" x 49" grid opening, then attach lengths of KAM (15" on the short edge, 35" on the long edge, with 3 and 4 framing screws evenly spaced, respectively, to avoid interference with the AX4SPLICEB accessories). (Fig 5)

NOTE: The grid opening must be square within an 1/8" to ensure the trim kit will fit inside the opening

1.3 Lastly, attach hanger wire to the grid at each corner of the opening to provide additional support for the weight of the VidaShield unit.

2. TRIM KIT ASSEMBLY

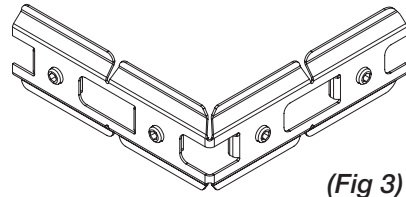
The trim kit will come in one carton containing all components required for assembly. (Figs 1 & 2)



(Fig 2)

2.1 Assemble the trim kit by simply folding the AX4SPLICEB clips 90 degrees. *(Fig 3)*

Then insert and tighten the folded AX4SPLICEB into the outer channels of the extrusions to create the frame. *(Fig 4)*

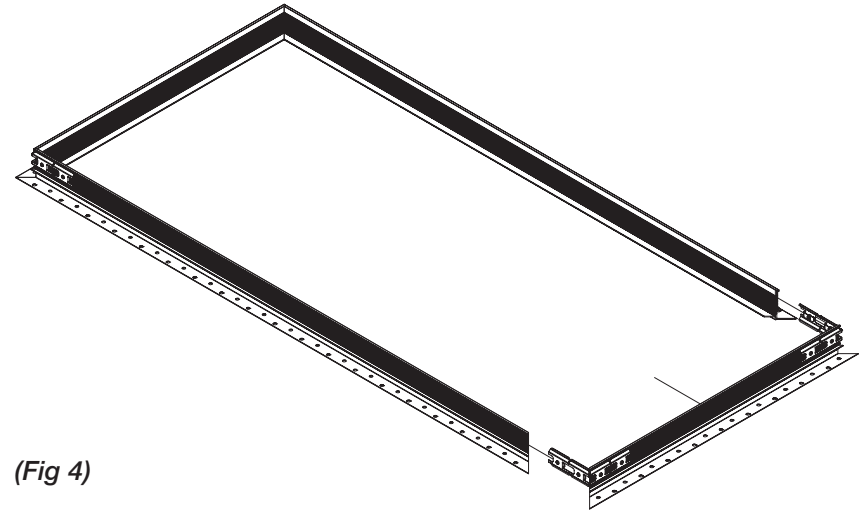


(Fig 3)

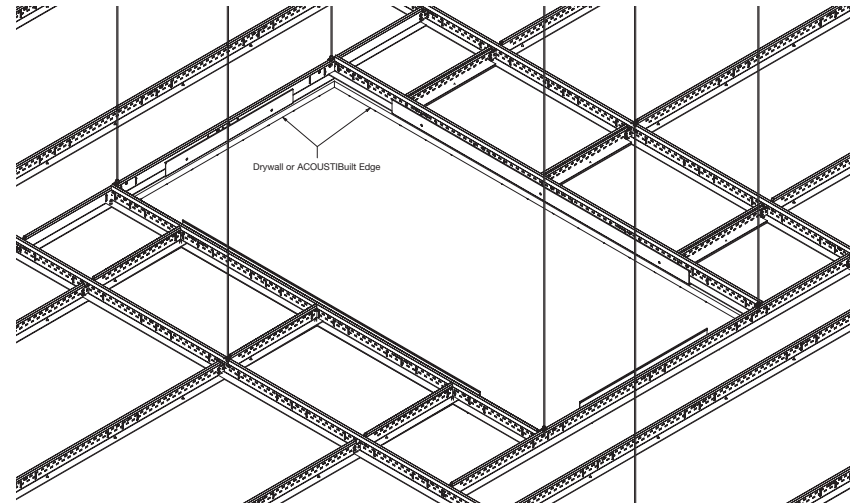
3. DRYWALL INSTALLATION WITH TRIM KIT AND FINISHING

3.1 The drywall can be installed covering the opening, then cut out, or pre-cut to leave the opening remaining. Either way, once complete the drywall should extend the width of the drywall grid at the opening to allow for a landing for the trim kit. *(Fig 5)*

3.2 With the drywall in place, raise the trim kit assembly into the opening and attach to the drywall grid through the taping flange with fine thread drywall screws.



(Fig 4)



(Fig 5)

3.3 Once trim kit is flush with the drywall, provide additional load support by attaching the vertical legs of the trim kit to the vertical legs of the KAM using self tapping screws. A minimum of 2 screws should be used on the short edge while a minimum of 3 screws should be use on the long edge. **(Fig 6)** This will properly transfer the VidaShield™ unit weight to the drywall grid avoiding mud cracking at the taping seams.

3.4 Prior to taping, the attachment flanges should be cleaned using a non-abrasive cleaner and soft rag. When applying the tape, be sure it does not overlap the edge of the reveal and use an 8" wide trowel to apply the final skim coat.

NOTE: Fiberglass self-adhesive drywall tape will reduce taping time and help avoid possible cracking.

4. ACOUSTIBUILT™ INSTALLATION WITH TRIM KIT AND FINISHING

NOTE: For full details of ACOUSTIBuilt panel installation and finishing, see the ACOUSTIBuilt Seamless Acoustical Ceiling System installation instructions.

4.1 The ACOUSTIBuilt panels can be installed covering the opening, then cut out, or precut to leave the opening remaining. Either way, once complete the ACOUSTIBuilt panel should extend the width of the drywall grid at the opening to allow for a landing for the trim kit. **(Fig 5)**

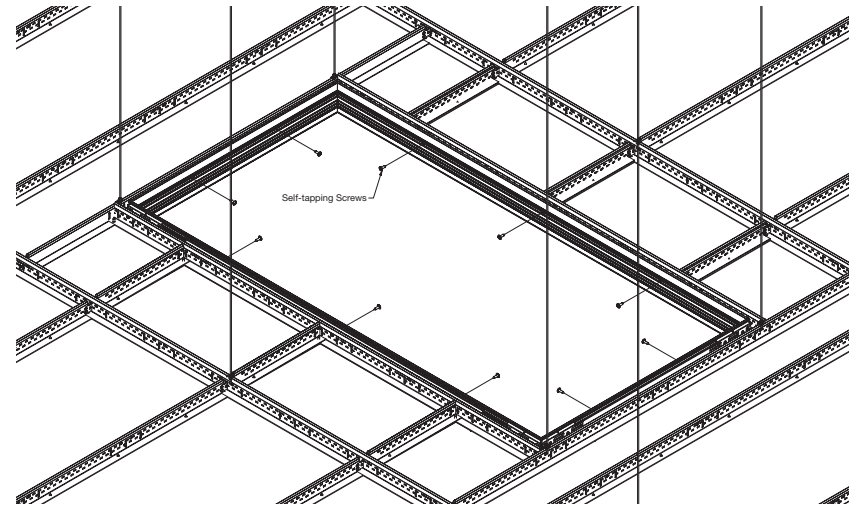
4.2 With the ACOUSTIBuilt in place, raise the trim kit assembly into the opening and attach to the drywall grid through the taping flange with fine thread drywall screws.

4.3 Once trim kit is flush with the ACOUSTIBuilt panel, provide additional load support by attaching the vertical legs of the trim kit to the vertical legs of the KAM using self tapping screws. A minimum of 2 screws should be used on the short edge while a minimum of 3 screws should be use on the long edge. **(Fig 6)** This will properly transfer the VidaShield unit weight to the drywall grid avoiding joint compound cracking at the taping seams.

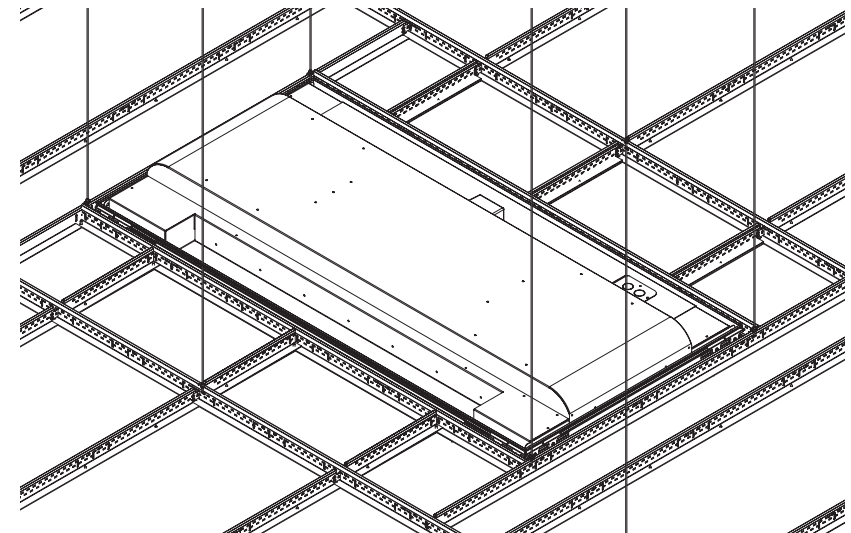
4.4 Proceed with finishing as described in the ACOUSTIBuilt Seamless Acoustical Ceiling System installation instructions.

5. VIDASHIELD UV24 FIXTURE ASSEMBLY AND INSTALLATION

5.1 The VidaShield UV24™ Fixture will lay on the flange of the AX7907 with installation similar to a ceiling tile. **(Fig 7)** For additional fixture assembly and installation, see the VidaShield UV24 Air Purification System installation instructions.



(Fig 6)



(Fig 7)

MORE INFORMATION

For more information, or for an Armstrong Ceilings representative, call 1 877 276-7876.

For complete technical information, detail drawings, CAD design assistance, installation information, and many other technical services, call TechLine customer support at 1 877 276-7876 or FAX 1 800 572-TECH.

All trademarks used herein are the property of AWI Licensing LLC and/or its affiliates.
© 2022 AWI Licensing Company Printed in the United States of America

BPLA-293059-422

