

# Tectum® DesignArt™ – Lines Finale™ PB

## Assembly and Installation Instructions



### TABLE OF CONTENTS

#### 1. GENERAL

- 1.1 Product Description
- 1.2 Safety
- 1.3 Warranty
- 1.4 Surface Finish
- 1.5 Storage & Handling
- 1.6 Site Conditions
- 1.7 HVAC Design & Operation, Temperature & Humidity Control
- 1.8 Colors
- 1.9 Ordering Considerations

#### 2. DESIGN CONSIDERATIONS

- 2.1 Directionality
- 2.2 Edges
- 2.3 Pool Installations
- 2.4 Exterior Installations
- 2.5 Direct-attachment to a Wall or Ceiling

#### 3. TECTUM ACCESSORIES

- 3.1 Screws
- 3.2 Touch Up Paint

#### 4. INSTALLATION OPTIONS

- 4.1 Mounting Method A
- 4.2 Mounting Method D-20
- 4.3 Screw Placement for All Mounting Methods
- 4.4 High-impact Areas

#### 5. PANELS

- 5.1 Edge Detail
- 5.2 Field Cutting
- 5.3 Directionality
- 5.4 Field Painting

#### 6. SPECIAL INSTALLATION CONSIDERATIONS

- 6.1 Discontinuous/Floating Installation
- 6.2 Sloped Installation
- 6.3 Pool/Natatorium Installation
- 6.4 Exterior Installation

#### 7. SEISMIC INSTALLATIONS

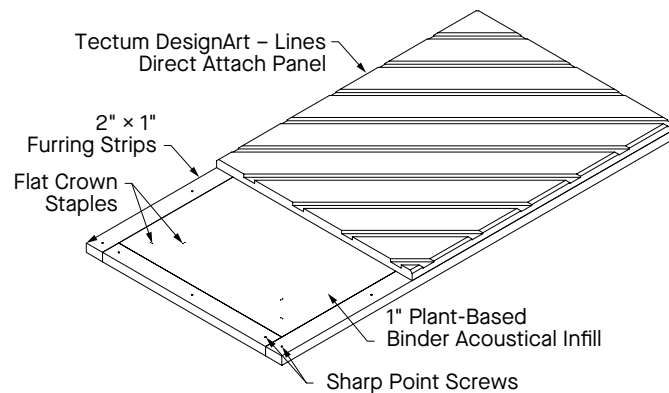
# 1. GENERAL

## 1.1 Product Description

Tectum® DesignArt™ – Lines Finale™ PB ceiling and wall panels are highly impact-resistant panels made of Aspen wood fibers held together with a cementitious binder with line patterns routed into the face of the panels. Standard Tectum DesignArt – Lines Finale PB panels for walls and ceilings are available in nominal sizes of 2' x 2' and 2' x 4' with beveled edges on all four sides. The total panel assembly thickness is 2":1" Tectum panel and 1" Tectum furring. The built-in Tectum furring strips surround 1" thick insulation to enhance the inherent acoustical performance of the panel (**Fig 1**).

Standard panels are available in 29 designs – see properties table on page 10. Standard panels are available in 24 paint colors and Natural finish. **NOTE:** Panels will show normal color variation due to the wood fibers. See the data page for design and color visuals.

Tectum DesignArt – Lines Finale PB panels can be installed on ceilings and on walls. Ceiling and wall panels can be installed direct-attached to drywall wall grid, existing drywall, furring, or plywood surface. See Section 4 for more details on installation. Panels can be field cut and field painted up to six times without impacting acoustic or fire performance (Section 5.4).



(Fig 1)

## 1.2 Safety

This product is made of wood fibers and cementitious binder. Sawing, sanding, or machining these products can produce wood dust and crystalline silica. Airborne dust can cause respiratory, eye, and skin irritation. Respirable wood dust and crystalline silica are classified as carcinogens. Personal protective equipment includes safety glasses or goggles, and impervious gloves. Respiratory protection may be required and depends on how the product is being cut and handled. Job site environmental conditions must be evaluated in determining what type of respiratory protection is required. In all cases, cutting is to be performed in a well-ventilated area and power tools must be equipped with a dust collection system. Refer to the Safety Data Sheet on [armstrongceilings.com/tectum](http://armstrongceilings.com/tectum) for additional information.

## 1.3 Warranty

Failure to follow the Armstrong® Ceilings recommended installation instructions in effect at the time of installation may void the product and/or ceiling system warranty.

## 1.4 Surface Finish

Tectum® panels are made of wood fibers within a cementitious binder. White panels are finished with a latex-based paint. Due to the unique porous composition of Tectum panels, they can be field painted up to six times without negatively impacting acoustic or fire performance.

## 1.5 Storage & Handling

Panels should be stored in a dry interior location and must remain in cartons prior to installation to avoid damage. The cartons should be stored in a flat, horizontal position.

Proper care must be taken when handling to avoid damage and soiling. Do not store in unconditioned spaces with humidity greater than 85% or lower than 25% RH, and temperatures lower than 32°F or greater than 120°F. Panels must not be exposed to extreme temperatures, for example, close to a heating source or near a window where there is direct sunlight.

## 1.6 Site Conditions

Tectum panels are required to reach room temperature and have stabilized moisture content for a minimum of 72 hours before installation.

They should not, however, be installed in spaces where the temperature is lower than 32°F or greater than 120°F and when humidity conditions are greater than 85% or lower than 25% RH. Panels must not be exposed to extreme temperatures, for example, close to a heating source or near a window where there is direct sunlight. All wet work (plastering, concrete, etc.) must be complete and dry.

### **1.7 HVAC Design & Operation, Temperature & Humidity Control**

Real wood and wood composite products are natural building materials and they will react to changes in humidity. Spaces with installed product should be maintained with humidity in a range between 25% and 85% RH and temperatures in a range between 32°F and 120°F. Wood tends to contract with lower humidity and expand with higher humidity. Cementitious wood fiber panels may also tend to warp, twist, or bow, due to the natural stresses in the components and these humidity changes. Be aware of these natural tendencies when evaluating the products. It is also necessary for the area to be enclosed and for the HVAC systems to be functioning and in continuous operations for the life of the product. All wet work (plastering, concrete, etc.) must be complete and dry. Standard 1" Tectum panels cannot be used in exterior applications. Contact TechLine for information on custom Tectum products available for exterior installations.

### **1.8 Colors**

Standard Tectum panels are available in 24 paint colors and Natural finish. Due to the natural variation of Tectum wood fibers, panels in Natural finish will have normal color variation from panel-to-panel and within panels.

Panels can be field painted up to six times without losing their acoustical or fire performance. See Section 5.4 for field painting guidelines. Factory-finished custom colors are also available.

### **1.9 Ordering Considerations**

Be sure to account for extra material that is normally needed for wood installations. When installing Tectum® DesignArt™ panels, consider ordering at least 5% extra material.

Up to 10% more may be needed for odd size or painted installations. It is the customer's responsibility to plan each layout and order the correct amount of installation material needed, taking into account their design.

## **2. DESIGN CONSIDERATIONS**

### **2.1 Directionality**

Tectum® DesignArt™ – Lines Finale™ PB panels are directional based on the routed design. Panels can be installed in any direction to achieve the desired design. Consult the project's RCP for specific details pertaining to the pattern.

### **2.2 Edges**

All panel edges and furring strips are painted. The top face panel features beveled edges.

### **2.3 Pool Installations**

Tectum DesignArt – Lines Finale PB panels can be used in pool areas or other high-humidity areas where standing water is present. Review the "Tectum® Direct-Attach Ceiling and Wall Panels for Indoor Swimming Pool Applications" installation instructions for more information.

### **2.4 Exterior Installations**

Tectum DesignArt – Lines Finale PB ceiling and wall panels are NOT intended for exterior use.

### **2.5 Direct-attachment to a Wall or Ceiling**

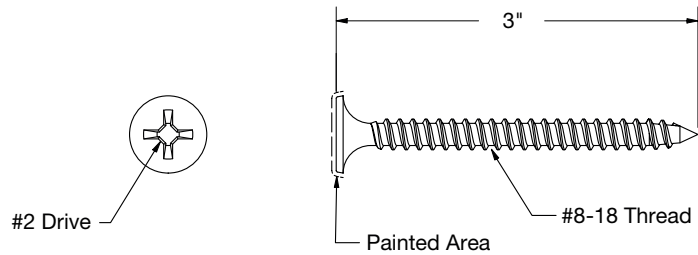
Tectum DesignArt – Lines Finale PB panels are mechanically fastened to furring (metal or wood) or directly to structure using appropriate fasteners. See Installation Section 4 for different mounting methods. DesignArt panels are approximately 3.1 LBS/SF. Correct fasteners should consider total system weight. Do not countersink screws or fasteners into panel face. The type and position of framing and furring will be specified by the contractor.

## **3. TECTUM® PANEL ACCESSORIES**

### **3.1 Screws**

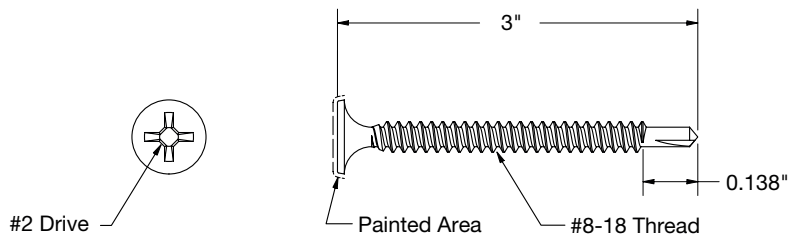
Armstrong® Ceiling and Wall Systems offer three types of screws for many common installation methods. For specific installation instructions, including which screw for furring-to-structure connection and spacing, see Section 4.

**Sharp point screws** (Item 8187L30, **Fig 2**) are 3" long and are available in coordinating factory-finished White (TWH). For 20- and 25-light-gauge steel framing, wood furring, or Armstrong Ceilings drywall grid, use 3" sharp point drywall screws.



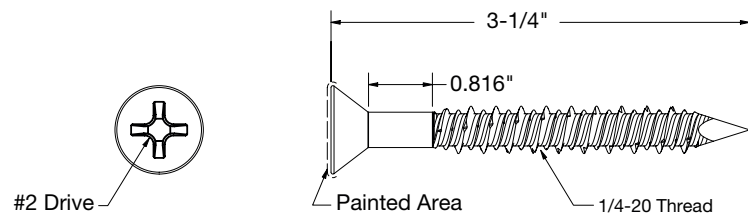
(Fig 2)

**Drill point screws** (Item 8188L30, **Fig 3**) are 3" long and are available in coordinating factory-finished White (suffix TWH). For 20-gauge structural and heavier steel decking or framing, use 3" self-drilling drywall screws.



(Fig 3)

**CMU Screws** (Item 8189L32, **Fig 4**) are 3-1/4" long and are available in coordinating factory-finished White (suffix TWH). For hollow block Cement Masonry Unit (CMU) or breeze/cinder block structures, use 3-1/4" masonry screws. See specific installation guidance in Section 4.1.



(Fig 4)

To attach Tectum panels to structures or surfaces not listed in this section, please contact a fastener manufacturer, such as Hilti®, Fastenal®, or Tapcon® to obtain guidance and engineering data support.

### 3.2 Touch Up Paint

Touch up paint for 24 standard paint colors is available. Custom touch up paint is also available upon request.

## 4. INSTALLATION OPTIONS

For Tectum® DesignArt™ – Lines Finale™ PB, the only recommended installation option is screw attachment to furring or drywall grid system that is secure to structure (ceiling or walls). The furring can be either wood or metal. Tectum DesignArt – Lines Finale PB panels are approximately 3.1 LBS/SF. Consider total system weight when determining fasteners. The furring enables improved sound absorption and allows the installer to fasten in areas where there could otherwise be obstructions. The use of screw attachment for interior panels is widely accepted. The proper installation of the screws results in an installation where the heads are difficult to find even when viewed from a short distance. The flathead screws are painted to match either the painted White panels or the Natural panels. The screws are installed so that the screw head is flush with the surface of the Tectum panel. Do not countersink the screw heads. The texture of Tectum panels helps hide the screw head. This installation section will review the different mounting methods and fastener recommendations.

The NRC requirements will dictate what mounting method should be used. Verify specifications or drawings to determine project requirements. There are two direct mounting methods and each of them will have specific installation requirements so the Tectum system can meet project NRC specifications.

### 4.1 Mounting Method A (Fig 5)

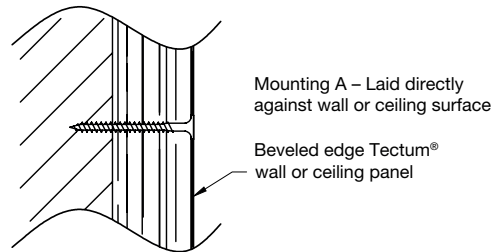
Mounting Method A requires installing panels directly to a wall or ceiling structure with no furring or space behind the Tectum panels. Consult this section for type of screw (CMU/Drill Point/Sharp Points) and Section 4.3 for spacing requirements (for both Standard Interior and High-impact/abuse applications). Because ceiling and wall structure materials vary greatly, Armstrong® World Industries does not offer fasteners for all project applications but does provide fasteners for the most common structures.

Depending on what the substrate is, there are different recommendations for which fastener to use.

For one of the most common structure materials, Cement Masonry Unit (CMU) (hollow or breeze/cinder block), use Tectum 3-1/4" CMU Screw (Item 8189L32). While the CMU screw will work in most concrete block applications, it is important to note that it will not work with all concrete. It is difficult or impossible to use this screw with some poured or precast concrete.

Work with a fastener manufacturer to determine best fastener for your application and to acquire engineering reports regarding performance. Contact Armstrong Ceilings TechLine or Tapcon® if specific guidance is needed related to drill bits, anchors, or general CMU screw installation.

For structures other than hollow CMU, contact a fastener manufacturer, such as Hilti®, Fastenal®, or Tapcon® to get guidance and engineering support data on the fastener type that will meet pull-out requirements for your building code.



(Fig 5)

#### IMPORTANT NOTES:

**Power-actuated Fasteners:** Do not use power-actuated fasteners to directly attach Tectum® panels to masonry surfaces. If power actuated fasteners are necessary, they should be used on the furring/hat channel and panels screw-attached to the furring as described in steel framing and wood furring Section 4.2.

**Exterior Masonry Walls:** If you encounter uninsulated exterior walls, or if you are uncertain of the insulation conditions of the wall, use furring strips to ensure an air gap between panels and the structure to minimize unwanted condensation-related issues.

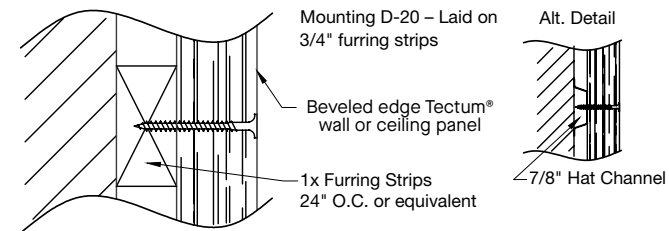
#### 4.2 Mounting Method D-20 (Fig 6)

The D-20 direct-attach mounting method includes beveled-edge panels laid on 3/4" furring strips, or Drywall Grid (Item 8906 main beam and XL8945 cross tees) to maintain air gap between structure and back of the Tectum panels.

The furring must be attached to structure in a method that supports the full weight of the panels per the requirements specified in Section 4.4. Contact a fastener manufacturer, such as Hilti®, Fastenal®, or Tapcon® to ensure the correct fastener for the structure type, since structure fastener requirements can vary.

Due to joist/stud spacing in most jobs, to meet fastener layout requirements, furring strips are recommended to ensure a secure fastening location for the panels. If you are attaching to existing drywall, all fasteners must go into a stud, drywall grid, or other structural component. It is the responsibility of the contractor to locate these elements in either ceiling or wall applications.

Consult the following sections for attaching the Tectum panels to the type of furring selected (Drill Point/Sharp Points) and Section 4.3 for spacing requirements (for standard interior or high impact/abuse spaces).



(Fig 6)

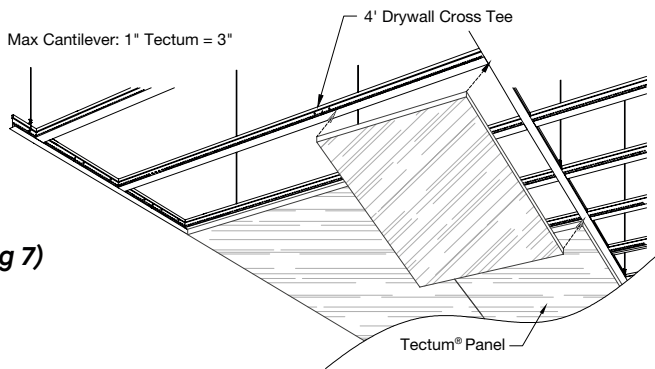
Attach Tectum® panels directly to 3/4" wood or metal hat channel furring (see Section 4.3 for screw spacing/guidance):

- **Wood furring:** In a D-20 mounting, to attach to wood furring, use Tectum 3" sharp point screws (Item 8187L30) with coordinating painted face
- **Light Gauge (20-25 gauge) Metal furring/framing:** In a D-20 mounting, attach to thin gauge metal furring with Tectum 3" sharp point screws (Item 8187L30) with coordinating painted face
- **Drywall Grid furring:** In a D-20 mounting, attach to thin-gauge metal furring with Tectum 3" sharp point screws (Item 8187L30) with coordinating painted face
- **Heavy-gauge metal furring:** In a D-20 mounting, attach to heavy gauge metal furring with Tectum 3" drill point screws (Item 8188L30) with coordinating painted face

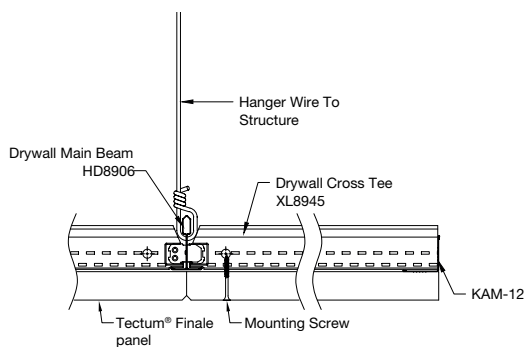
### 4.3 Screw Placement for All Mounting Methods

Recommended screw spacing is such that one screw supports one square foot to three square feet of panel. The 2" thick standard ceiling and wall panels have a weight of approximately 3.1 LBS/SF. It is the contractor/installer's responsibility to ensure type of fastener and placement can carry the system weight. Additionally, the Tectum panel surface is not intended to support additional weight. Because the pull-through resistance of the screw head is adequate, no washers or adhesive applications are required.

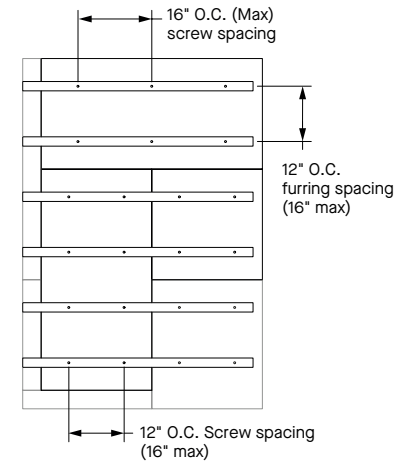
Tectum panels are typically installed over furring, but the same screw pattern should be used for a Mounting Method A direct mounting. The recommended furring spacing is 12" O.C., but not to exceed 16" O.C. Attaching to drywall grid for ceiling installations, the spacing will be 16" O.C. This is due to the 8" rout hole spacing of the Armstrong® Drywall Grid (**Figs 7 & 8**). For wall installations, use Item QSUTC to fasten Armstrong® Drywall Grid to structure (**Figs 9 – 11**). See Section 4.4 for screw spacing recommendations for high impact areas. The attachment of the furring must be designed to support the weight of the panels (**Figs 7 & 8**).



(Fig 7)

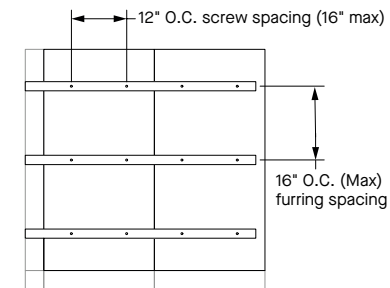


(Fig 8)



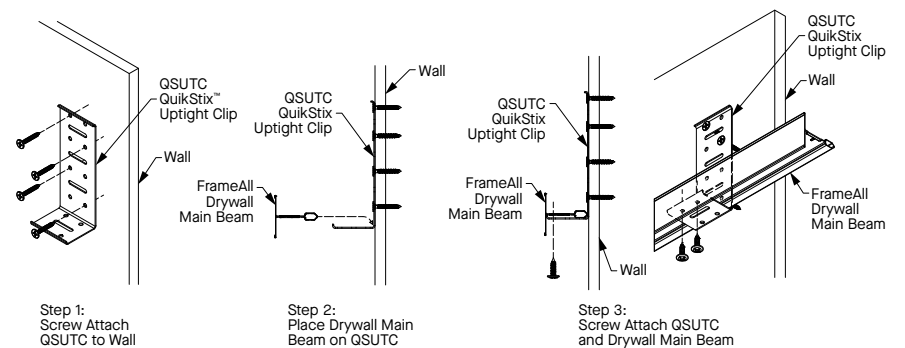
(Fig 9)

12" O.C. Furring layout for walls



(Fig 10)

16" O.C. Furring layout for walls

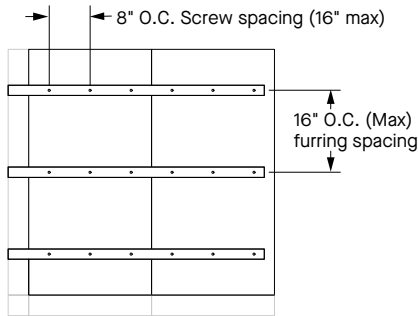


(Fig 11)

When attaching furring, use painted head drywall screws. For wall applications a minimum of 4 screws per panel will be required for a 2' x 2' and 6 screws for a 2' x 4'. For ceilings, a minimum of 6 screws are required for a 2' x 2' and 8 screws for a 2' x 4' (**Figs 12 & 13**). The number of screws will be regardless of mounting method (A or D-20).

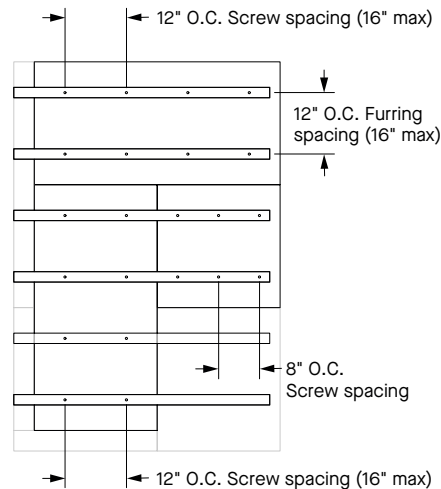
#### 4.4 High-impact Areas

In moderate or high-impact areas, such as gymnasium walls, less than 12' above the floor, furring spacing is required at 12" O.C. for all 2" panels and additional screws are recommended (**Fig 13**).



(Fig 12)

16" O.C. Furring layout for high impact areas and ceilings



(Fig 13)

12" O.C. Furring layout for high impact areas and ceilings

## 5. PANELS

### 5.1 Edge Detail

All panel edges and furring strips are painted. The top face panel features beveled edges.

### 5.2 Field Cutting

Cut the panel using standard woodworking tools and techniques. A table saw is recommended for straight cuts and a band saw for curved cuts. In both cases, panels should be cut face-up to minimize chipping of the face veneer.

To replicate the 1/4" factory bevel, a hand router with a 1/4" bevel bit can be used. Fine-toothed blades recommended for finish cuts will yield the best results.

### 5.3 Directionality

Tectum® DesignArt™ – Lines Finale™ PB panels are directional based on the routed design. Panels can be installed in any direction to achieve the desired design.

### 5.4 Field Painting

Although factory painted panels are recommended for all Tectum products, if field painting is preferred or necessary, follow the instructions below.

#### Field Painting Specification Recommendation

Paint is available to be purchased through Armstrong for field painting or touch ups including custom colors. Contact your local rep for pricing.

Tests have shown that six coats of spray-applied paint have no negative impact on the acoustical and fire properties of the Tectum panels.

#### Surface Preparation

Surface must be clean, dry, and in sound condition. Remove all oil, dirt, grease, and other foreign material to ensure adequate adhesion.

Direct-attach ceiling and wall panels should be fastened in place before field painting.

#### Application Condition

Temperature: 50° F minimum, 110° F maximum (air, surface, and material); At least 5° F above dew point

Relative Humidity: 75% maximum

Dry Time: 20 minutes to 1 hour

Recoat: 1 hour

During the early stages of drying, the coating is sensitive to rain, dew, high humidity, and moisture condensation. Plan painting schedules to avoid these influences during the first 16-24 hours of curing.

**Application Equipment**

The following is a guide. Changes in pressure and tip sizes may be needed for proper spray characteristics. Brush and roller are not recommended for field painting or touch-up solutions.

**Airless Spray**

Pressure: 1500 psi minimum

Hose: 1/4" ID

Tip: 0.013" – 0.017" fine finishing tip

Reduction: No reduction needed.

**Conventional Spray**

Gun: Binks 95

Fluid Nozzle: 63C

Air Nozzle: 63PB

Atomization Pressure: 35 – 45 psi

Fluid Pressure: 8 – 10 psi

Reduction: As needed up to 20% by volume

**Recommended Spread Rate per Coat**

Wet Mils: 3.0 – 4.0

Dry Mils: 1.0 – 1.4

Coverage: approximately 558 FT<sup>2</sup>/GAL at 1.0 mil dry film, no loss (based on flat surface)

If necessary, cross spray at multiple angles.

**Field Touch Up and Color Match**

Brush and roller are not recommended for touch up solutions.

Armstrong Color Name	Paint Color Item #
Basalt (TBT)	BP5456GAL1TBT
Polar (TPO)	BP5456GAL1TPO
Oat (TOT)	BP5456GAL1TOT
Rainstorm (TRS)	BP5456GAL1TRS
Lilac (TLC)	BP5456GAL1TLC
Boxwood (TBW)	BP5456GAL1TBW
Feldspar (TFS)	BP5456GAL1TFS
Rose (TRO)	BP5456GAL1TRO
Riverstone (TRV)	BP5456GAL1TRV
Limestone (TLM)	BP5456GAL1TLM
Hay (THY)	BP5456GAL1THY
Pacific (TPC)	BP5456GAL1TPC
Twilight (TTT)	BP5456GAL1TTT
Fern (TFN)	BP5456GAL1TFN
Topaz (TTZ)	BP5456GAL1TTZ
Honeysuckle (THS)	BP5456GAL1THS
Coffee (TCE)	BP5456GAL1TCE
Fossil (TFL)	BP5456GAL1TFL
Sandstone (TSS)	BP5456GAL1TSS
Mist (TMT)	BP5456GAL1TMT
Ocean (TOC)	BP5456GAL1TOC
Ivy (TIV)	BP5456GAL1TIV
Bronzite (TBZ)	BP5456GAL1TBZ
Marigold (TMG)	BP5456GAL1TMG



## **6. SPECIAL INSTALLATION CONSIDERATIONS**

### **6.1 Discontinuous/Floating Installation**

#### **6.1.1. Tegular Ceiling Panels**

Due to the thickness of the panel, 2" thick Tectum® DesignArt™ – Lines Finale™ PB panels are not recommended in discontinuous/floating ceiling installations with Axiom® trim. See our Tectum DesignArt – Lines Tegular panels for discontinuous ceiling options using Prelude® XL® suspension system and Axiom trim.

### **6.2 Sloped Installation**

Sloped ceiling installations should follow standard ceiling installation with screws 12" O.C. per Section 4.3.

### **6.3 Pool/Natatorium Installation**

2" thick standard Tectum DesignArt – Lines Finale PB panels can be used in rooms with standing water. Review the "Tectum® Direct-Attach Ceiling and Wall Panels for Indoor Swimming Pool Applications" installation instructions for more information.

### **6.4 Exterior Installation**

2" thick standard Tectum DesignArt – Lines Finale PB panels are not intended for use in exterior applications.

## **7. SEISMIC INSTALLATIONS**

Seismic installations of 2" thick Tectum DesignArt – Lines Finale PB panels are to be handled per building code.

<b>TECTUM® DesignArt™ – Lines FINALE™ PB PANEL PROPERTY TABLE</b>					
<b>Item No.♦</b>	<b>Description</b>	<b>Ordered Separately/ Included with</b>	<b>Required for Install</b>	<b>Sold by the</b>	<b>PCS/ CTN</b>
<b>2' x 2' DesignArt – Lines Finale PB Panels</b>					
6383D01T10_ _ _	Hatches 24" x 24" Finale PB Direct Attach Panel	Ordered Separately	Based on Design	PC	1
6383D03T10_ _ _	Arcs 24" x 24" Finale PB Direct Attach Panel	Ordered Separately	Based on Design	PC	1
6383D04T10_ _ _	Rings 24" x 24" Finale PB Direct Attach Panel	Ordered Separately	Based on Design	PC	1
6383D05T10_ _ _	Rays 24" x 24" Finale PB Direct Attach Panel	Ordered Separately	Based on Design	PC	1
6383D06T10_ _ _	Checkers 24" x 24" Finale PB Direct Attach Panel	Ordered Separately	Based on Design	PC	1
6383D07T10_ _ _	Steps 24" x 24" Finale PB Direct Attach Panel	Ordered Separately	Based on Design	PC	1
6383D08T10_ _ _	Bands 24" x 24" Finale PB Direct Attach Panel	Ordered Separately	Based on Design	PC	1
6383D09T10_ _ _	Illusions 24" x 24" Finale PB Direct Attach Panel	Ordered Separately	Based on Design	PC	1
6383D10T10_ _ _	Decos 24" x 24" Finale PB Direct Attach Panel	Ordered Separately	Based on Design	PC	1
6383D11T10_ _ _	Currents 24" x 24" Finale PB Direct Attach Panel	Ordered Separately	Based on Design	PC	1
6383D12T10_ _ _	Strings 24" x 24" Finale PB Direct Attach Panel	Ordered Separately	Based on Design	PC	1
6383D13T10_ _ _	Droplets 24" x 24" Finale PB Direct Attach Panel	Ordered Separately	Based on Design	PC	1
6383D14T10_ _ _	Signals 24" x 24" Finale PB Direct Attach Panel	Ordered Separately	Based on Design	PC	1
6383D15T10_ _ _	Tilts 24" x 24" Finale PB Direct Attach Panel	Ordered Separately	Based on Design	PC	1
<b>2' x 4' DesignArt – Lines Finale PB Panels</b>					
6383D40T10_ _ _	Tilts B 24" x 48" Finale PB Direct Attach Panel	Ordered Separately	Based on Design	PC	1
6383D41T10_ _ _	Tilts C 24" x 48" Finale PB Direct Attach Panel	Ordered Separately	Based on Design	PC	1
6383D42T10_ _ _	Tilts D 24" x 48" Finale PB Direct Attach Panel	Ordered Separately	Based on Design	PC	1
6383D43T10_ _ _	Retro 24" x 48" Finale PB Direct Attach Panel	Ordered Separately	Based on Design	PC	1
6383D44T10_ _ _	Retro B 24" x 48" Finale PB Direct Attach Panel	Ordered Separately	Based on Design	PC	1
6383D45T10_ _ _	Rings B 24" x 48" Finale PB Direct Attach Panel	Ordered Separately	Based on Design	PC	1
6383D46T10_ _ _	Bands B 24" x 48" Finale PB Direct Attach Panel	Ordered Separately	Based on Design	PC	1
6383D47T10_ _ _	Bands C 24" x 48" Finale PB Direct Attach Panel	Ordered Separately	Based on Design	PC	1
6383D48T10_ _ _	Illusions B 24" x 48" Finale PB Direct Attach Panel	Ordered Separately	Based on Design	PC	1
6383D49T10_ _ _	Currents B 24" x 48" Finale PB Direct Attach Panel	Ordered Separately	Based on Design	PC	1
6383D50T10_ _ _	Strings B 24" x 48" Finale PB Direct Attach Panel	Ordered Separately	Based on Design	PC	1
6383D51T10_ _ _	Droplets B 24" x 48" Finale PB Direct Attach Panel	Ordered Separately	Based on Design	PC	1
6383D52T10_ _ _	Signals B 24" x 48" Finale PB Direct Attach Panel	Ordered Separately	Based on Design	PC	1
6383D53T10_ _ _	Contours 24" x 48" Finale PB Direct Attach Panel	Ordered Separately	Based on Design	PC	1
6383D54T10_ _ _	Levels 24" x 48" Finale PB Direct Attach Panel	Ordered Separately	Based on Design	PC	1
<b>Drywall Grid System</b>					
HD8906	Drywall 12' HD Main Beam	Ordered Separately	Yes	CTN	12
XL8945	Drywall 4' Cross Tee	Ordered Separately	Yes	CTN	36
KAM12	Knurled Angle Molding	Ordered Separately	Based on Design	CTN	20
7891	12-gauge Hanger Wire	Ordered Separately	Yes	Bundle	140
<b>Accessories</b>					
8187L30	3" Sharp Point Screws	Ordered Separately	Based on Design	CTN	1000
8188L30	3" Drill Point Screws	Ordered Separately	Based on Design	CTN	1000
8189L32	3-1/4" CMU Screws	Ordered Separately	Based on Design	CTN	100

♦ When specifying or ordering, include the appropriate 3-letter color suffix (e.g., 6383D01T10 I B I)

---

## **MORE INFORMATION**

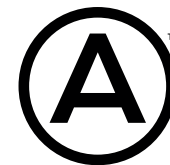
For more information, or for an Armstrong Ceilings representative, call 877 276-7876.

For complete technical information, detail drawings, CAD design assistance, installation information, and many other technical services, call TechLine customer support at 877 276-7876 or FAX 800 572-TECH.

Hilti® is a registered trademark of Hilti Corporation; Tapcon® is a registered trademark of ITW Brands; Fastenal® is a registered trademark of Fastenal Company; all other trademarks used herein are the property of AWI Licensing LLC and/or its affiliates.

© 2024 AWI Licensing Company

BPLA-293618-524



**Armstrong**®  
World Industries