

INFUSIONS® Walls

Installation Instructions

1. GENERAL

Infusions Walls feature a selection of finishes in translucent 2' x 8' PETG material.

2. Design and installation Limitations

Infusions Walls panels should always be installed in accordance with all applicable building codes and regulations.

Cutting or drilling panels may cause the panel to bend in an irregular fashion.

Do not allow panel to get wet.

Panels are susceptible to "wicking." If the panel is placed in a damp or wet area, water may "wick" up through the panel.

Infusions Walls panels are not approved for exterior application.

PETG panels can be damaged by exposure to high temperatures. Panel temperature should not be permitted to exceed 100° F. Follow these guidelines for minimum distance from standard light sources:

Lamp Type	Label Wattage	Minimum Distance
Halogen FL XL PAR 30	60	14"
Incandescent Bulb	120	15"
Quartz Halogen Work Light	500	23"

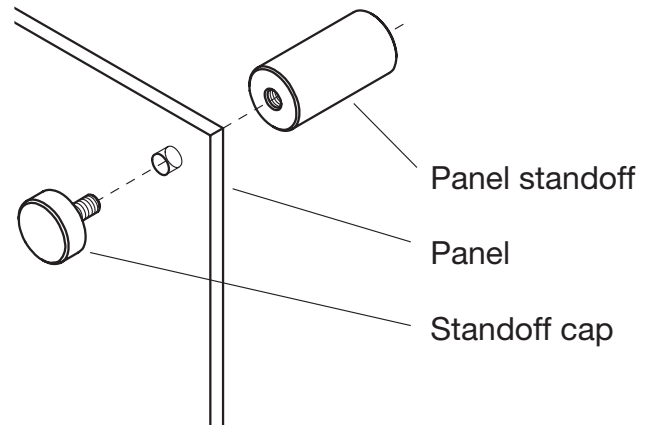
3. Fire Performance

Infusions Walls have been tested according to NFPA 286 and are equivalent to Class A Interior Finish as defined by the International Building Code.

Contact TechLine at (877) 276-7876, option 1, then 2, then 3, for specific US and Canadian fire performance

4. Kit Contents

Each Panel Kit includes 2 panels. Each Point Support Kit (item 5848) includes 16 Panel Standoffs and 16 Standoff Caps, which are ordered separately from the Panel Kit.



NOTE: Use wall fasteners that are appropriate for the selected substrate to attach the panel Standoff to the wall.

5. Infusions Wall Panel Installation

- Determine location of panel to be mounted on wall.
- Measure or use panel as template to locate and mark stand off locations on wall.

5.1 Attachment to Structure

- Stand off requires 5/16"-18 thread hardware (supplied by others) to mount to existing wall surface. Hardware should support 3 times panel weight (27 lbs). Check and confirm with hardware supplier. Anchor per manufacturer's specifications.
- Attach panel Standoff, into wall anchor hardware.
- In new construction, additional backing within wall cavity can be added if desired.
- Place panel against Standoff and thread Standoff cap through panel into the panel Standoff attached to the wall.

6. General Cleaning Recommendations

Avoid wiping the panel surfaces with abrasive compounds of any type.

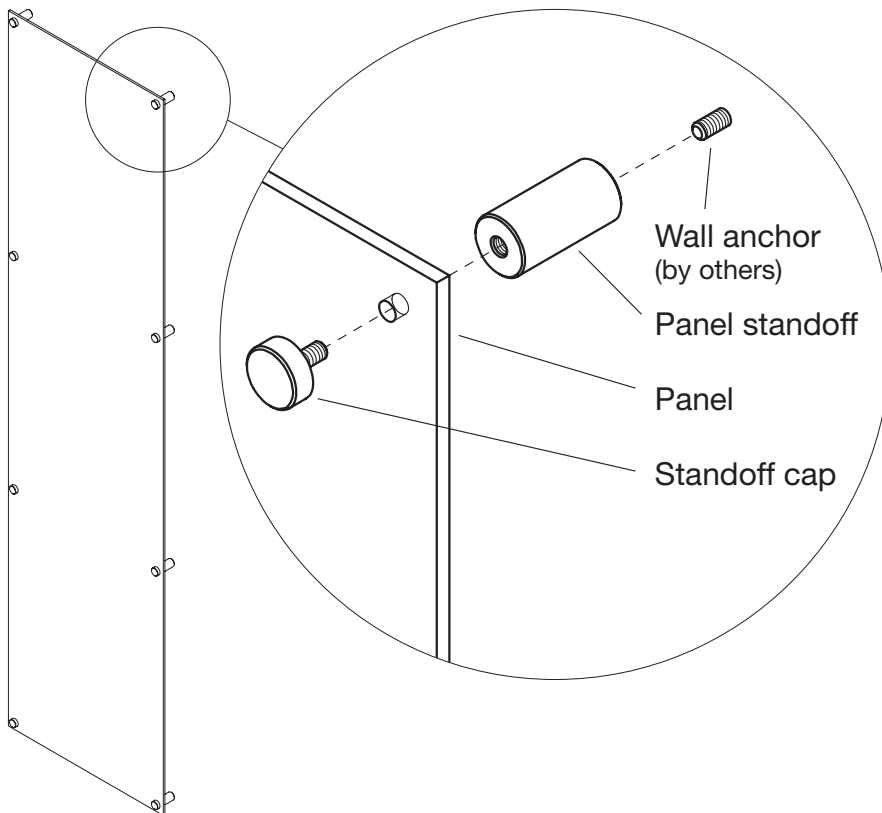
Panels should be handled with clean gloves/hands to avoid fingerprints.

Static charges that may build up after removing protective masking can be removed by wiping the sheet with a cloth dampened with water.

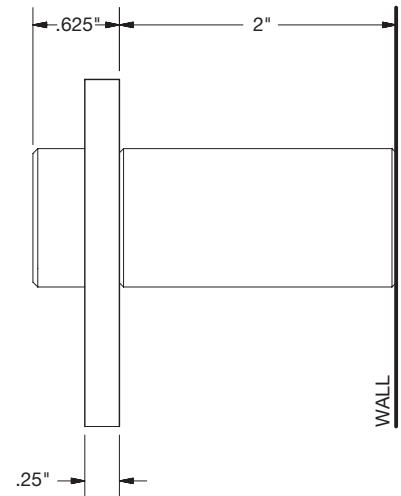
Lightly dust with a duster or soft, clean cloth first. Keep the cleaning cloth free of grit.

Caution: Do not allow panel edges to get wet when cleaning the panel surface. This would damage the panel and void the product warranty.

Panel Hardware



Wall Panel and Hardware Dimensions



MORE INFORMATION

For more information, or for an Armstrong Ceilings representative, call 1 877 276 7876.

For complete technical information, detail drawings, CAD design assistance, installation information, and many other technical services, call TechLine customer support at 1 877 276 7876 or FAX 1 800 572 TECH.

For the latest product selection and specification data, visit armstrongceilings.com/commercial.

Inspiring Great Spaces® is a registered trademark of AFI Licensing LLC
All other trademarks used herein are the property of AWI Licensing LLC and/or its affiliates

© 2017 AWI Licensing LLC • Printed in the United States of America

BPLA-297747-717

Armstrong[®]
CEILING SOLUTIONS