



▲ WoodWorks® half round column covers



plus capabilities  
to do more

[armstrongceilings.com/capabilities](http://armstrongceilings.com/capabilities)  
See more photos at:  
[armstrongceilings.com/photogallery](http://armstrongceilings.com/photogallery)

WoodWorks® custom column covers are available in a variety of designs, sizes, and materials to meet project needs.

#### KEY SELECTION ATTRIBUTES

##### Material Types

- Veneer on factory curved, fire-rated core
- High Pressure Laminate

##### Designs

- Quarter Round
- Half Round
- Full Round
- Oval
- Oblong
- Square
- Faceted
- Custom

##### Diameters & Heights

- Minimum diameter: 24"
- Maximum height before stacking: 10'

##### Perforations

- Custom perforations to meet your design needs

##### Finishes

- Standard or project specific wood veneers
- Clear or custom stain finishes available

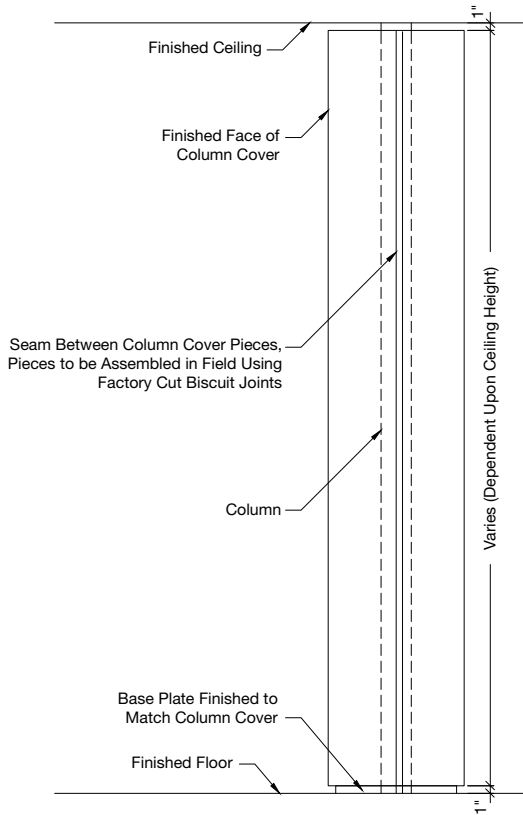
##### Reveals

- Variety of reveal types to meet your design needs
- 10" nominal length max

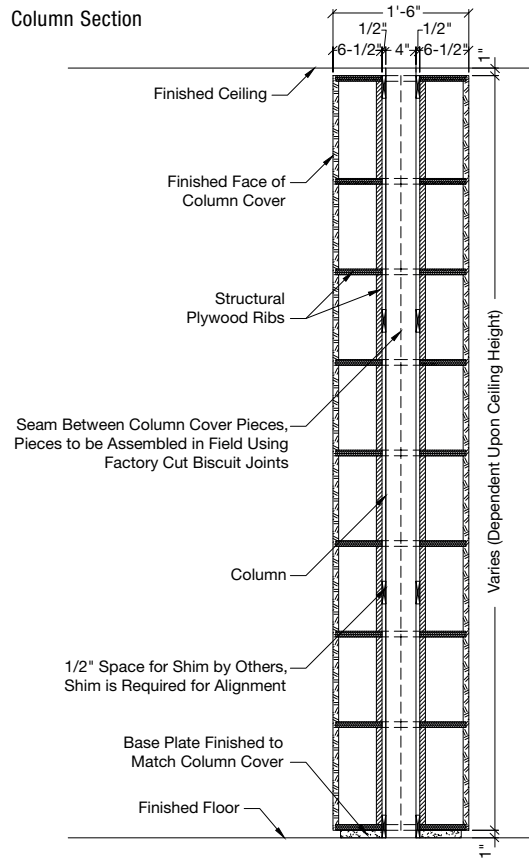


**INSTALLATION DETAILS**

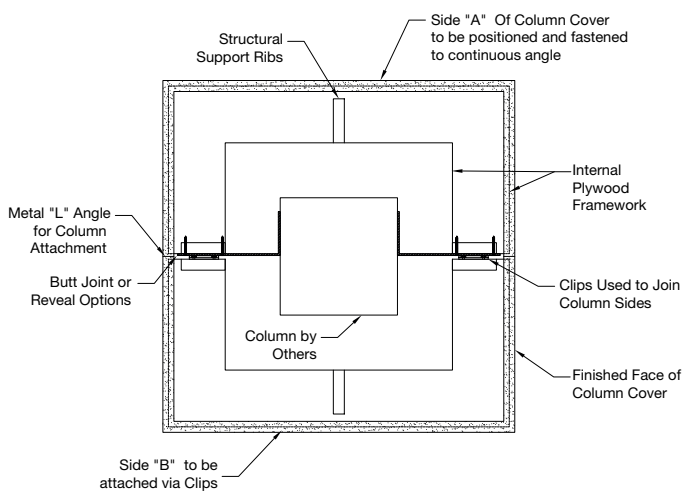
**Sample Column Elevation**



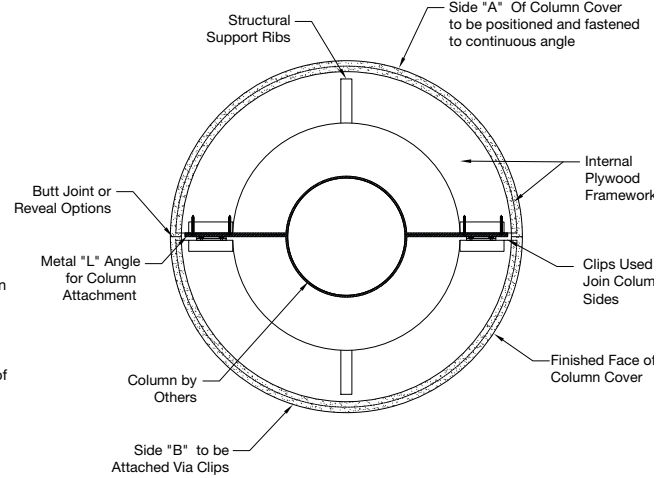
**Column Section**



**Square Column Section**



**Half Round Column Section**



**PHYSICAL DATA**

**Design Support**

Project management assistance is available by contacting the Architectural Specialties Construction Services Team - ASBudgetCapability@armstrongceilings.com.

**Warranty**

One (1) Year Limited Warranty. Details at [armstrongceilings.com/warranty](http://armstrongceilings.com/warranty)