

TECTUM® Shapes
Acoustical Clouds
coarse texture

*Custom looks
with standard
shapes*



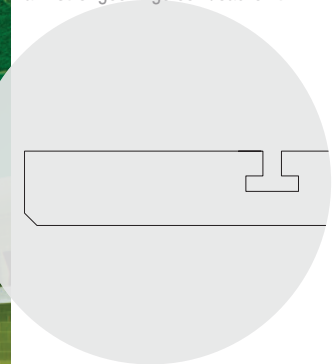
SUSTAIN®
High Performance
Sustainable
Ceiling Systems
(PB Suffix Only)



**24/7
DEFEND™**
Solutions for Healthier,
Safer Spaces

CONTAIN CLEAN PROTECT

CAD/Revit® drawings at:
armstrongceilings.com/cadrevit



armstrongceilings.com/capabilities
See more photos at:
armstrongceilings.com/photogallery

▲ Tectum® Shapes panels suspended application – 2" thick

Tectum® Shapes deliver design flexibility and acoustical performance in a suspended or direct-attach system formats.

KEY SELECTION ATTRIBUTES

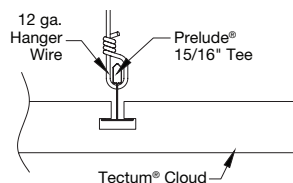
- Shapes are available in suspended or direct attach formats for maximum design flexibility
- new** • Tectum® panels are Living Product Imperative Certified by the International Living Future Institute – 1" panels in White and Natural only
- Tectum panels are part of the Sustain® portfolio and meet the most stringent sustainability compliance standards today – 1" panels in White and Natural only
- new** • CleanAssure™ family of products – includes disinfectable panels, suspension systems, and trim (standard colors only)
- Mold- and mildew-resistant surface
- Available in 1", 1-1/2", and 2" panel thickness in standard and custom shapes
- Direct-attach shape panels can be mechanically fastened to a wide variety of surfaces including masonry, drywall, wood, and more
- 1-1/2" and 2" suspended shapes install with 15/16" Prelude® Suspension System
- Seismic DEF approved
- Can be field painted up to 6 times without impacting acoustic or fire performance
- USDA-Certified Biobased Product 98% (preferred for government projects)

COLORS Due to printing limitations, shade may vary from actual product.



* Colors that are pre-qualified to meet Sustain® portfolio requirements are available upon request. Other made-to-order colors must be evaluated if sustainability criteria is required. Lead time will increase.

SUSPENDED DETAILS



TECTUM® Shapes

Acoustical Clouds
coarse texture



VISUAL SELECTION

	Panel Thickness ♦	Panel Shape	Dimensions W x L x D (Inches)	Colors
TECTUM® Shapes	1"	Rounded	46 x 46 x 1"	□ TNA, TWH, Custom
	1-1/2"	Square	46 x 46 x 1-1/2"	
	2"		46 x 46 x 2"	
	1"	Square	46 x 46 x 1"	□ TNA, TWH, Custom
	1-1/2"		46 x 46 x 1-1/2"	
	2"		46 x 46 x 2"	
	1"	Circle	46 x 46 x 1"	○ TNA, TWH, Custom
	1-1/2"		46 x 46 x 1-1/2"	
	2"		46 x 46 x 2"	
	1"	Concave Square	41 x 46 x 1"	◻ TNA, TWH, Custom
	1-1/2"		41 x 46 x 1-1/2"	
	2"		41 x 46 x 2"	
1"	Convex Square	43-1/2 x 46 x 1"	◻ TNA, TWH, Custom	
1-1/2"		43-1/2 x 46 x 1-1/2"		
2"		43-1/2 x 46 x 2"		
1"	Hexagon	46 x 40 x 1"	⬡ TNA, TWH, Custom	
1-1/2"		46 x 40 x 1-1/2"		
2"		46 x 40 x 2"		
1"	Right Parallelogram	46 x 46 x 1"	◻ TNA, TWH, Custom	
1-1/2"		46 x 46 x 1-1/2"		
2"		46 x 46 x 2"		
1"	Trapezoid	46 x 46 x 1"	◻ TNA, TWH, Custom	
1-1/2"		46 x 46 x 1-1/2"		
2"		46 x 46 x 2"		

♦ When specifying or ordering, include the appropriate 3-digit color suffix TNA = Natural (unpainted), TWH = White. For special sizes, and colors, call TechLine at 1 877 276-7876.

PERFORMANCE SELECTION

LOCATION DEPENDENT

Dots represent high level of performance.

Fire Rating	Light Reflect	Anti-Mold/Mildew	Sag Resist	Certified Low VOC Emissions	CleanAssure™ Disinfectable Panels	DURABILITY	30-Yr Warranty
Class	Up to				Fog	Impact	Scratch
Class A	Up to 0.75	•	•	•	•	•	•
Class A	Up to 0.75	•	•	•	•	•	•
Class A	Up to 0.75	•	•	•	•	•	•
Class A	Up to 0.75	•	•	•	•	•	•
Class A	Up to 0.75	•	•	•	•	•	•
Class A	Up to 0.75	•	•	•	•	•	•
Class A	Up to 0.75	•	•	•	•	•	•

ACOUSTICAL INFORMATION

Panel Thickness	Sound Absorption (Sabins/SF)	Mounting Method
1"	0.40	A
	0.45	D-20
	0.80	C-20
	0.85	C-40
1-1/2"	0.55	A
	0.60	D-20
	0.90	C-20
	0.95	C-40
2"	0.60	A
	0.70	D-20
	0.95	C-20
	1.00	C-40

PHYSICAL DATA

Material
FSC® Certified
Cementitious Wood Fiber; FSC® certified. For more information about FSC® certified fire-retardant products, or to view our FSC® certification letter, contact TechLine at 1 877 276-7876.

Surface Finish
Factory-applied latex paint with Silicate surface coating for abuse resistance. Natural is unpainted.

Fire Performance
Class A. Flame Spread Index 25 or less and Smoke Developed Index 50 or less when tested in accordance with ASTM E84.

CAN/ULC S102 surface burning characteristics. Flame Spread Index of 25 or less and Smoke Developed Index of 50 or less.

VOC Emissions
Third-party certified compliant with California Department of Public Health CDPH/EHLB/Standard Method Version 1.2, 2017. This standard is the guideline for low emissions in LEED®, WELL™ Building Challenge, Living Building Challenge® (LBC), CalGreen Title 24, ANSI/ASHRAE/USGBC/IES Standard 189; ANSI/GBI Green Building Assessment Protocol

Tectum® panels meet CDPH guidelines in enclosed office at 50% wall coverage. View certificate Details at armstrongceilings.com/warranty/tectum.

Humidity/Sag Resistance
HumiGuard® Plus performance panels are recommended for areas subject to high humidity, up to, but not including, standing water and outdoor applications.

Anti-Mold/Mildew
Ceiling tiles with BioBlock® performance resist the growth of mold and mildew on the tile surface.

Installation Considerations
Use caution and wear appropriate hand, eye, and dust mask protection when cutting and installing Tectum® panels. Refer to installation instructions for complete details and cutting recommendations. Beveled edges on all sides should be specified on all adjoining panel installations.

Primary (Embodied) Energy
See all LCA information on our EPDs.

Application Considerations
Color variation among panels is common due to the natural characteristics of the wood on White and Natural panels. Wood fibers may appear orange on Natural colored panels due to the characteristics of the wood.

Design Considerations
Tectum Shapes are inherently directional due to manufacturing constraints. The finished visual on the front and back of the panel will not match exactly. 360 degree factory or field painting is recommended for all installations.

Design Support
Project management assistance is available by calling TechLine at 1 877 276-7876.

Cleaning and Disinfecting
Cleaning and CDC approved disinfecting options available on armstrongceilings.com/cleaning

Warranty
30-Year Warranty. Details at armstrongceilings.com/warranty

Weight
1" – 1.63 lbs/SF
1-1/2" – 2.55 lbs/SF
2" – 3.50 lbs/SF

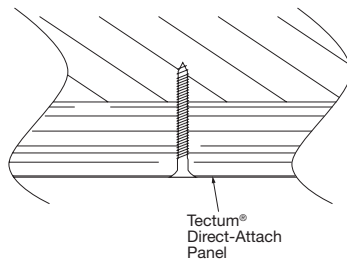


TECTUM® Shapes

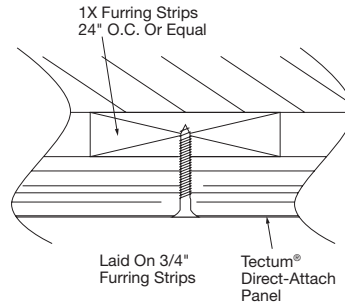
Acoustical Clouds
coarse texture

DIRECT-ATTACH DETAILS

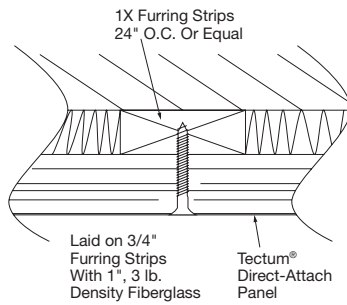
Mounting A



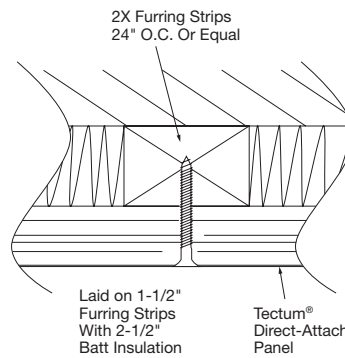
Mounting D-20



Mounting C-20



Mounting C-40

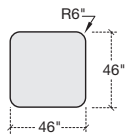


PANEL SHAPE OPTIONS

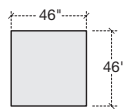
1-1/2" and 2" thick panels available with or without T-Slot for suspended cloud application – please specify when ordering.

Description/Dimensions (Inches)

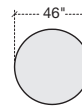
Square –
6" Radius
cut corner
46 x 46"
(Nominal)



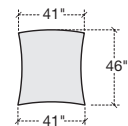
Square
46 x 46"
(Nominal)



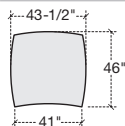
Circle
46" Diameter
(Nominal)



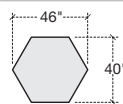
Concave
41 x 46"
(Nominal)



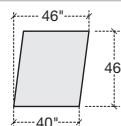
Convex
43-1/2 x 46"
(Nominal)



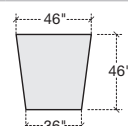
Hexagon
46 x 40"
(Nominal)



Right
Parallelogram
46 x 46"
(Nominal)



Trapezoid
46 x 46"
(Nominal)



CLOUDS & CANOPIES – Standard

TECTUM® Shapes

Acoustical Clouds
coarse texture

CUSTOM SHAPES

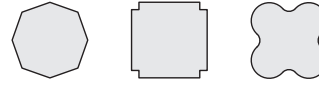


▲ Tectum Custom Shapes

CUSTOM SHAPES

Create your own shapes!

For assistance, call TechLine at 1 877 276-7876.



Widths: 23-3/4 to 48"
Lengths: 23-3/4 to 96"
Thickness: 1", 1-1/2", 2"

PHYSICAL DATA

Material

FSC® Certified
Cementitious Wood Fiber; FSC® certified. For more information about FSC® certified fire-retardant products, or to view our FSC® certification letter, contact TechLine at 1 877 276-7876.

Surface Finish

Factory-applied latex paint with Silicate surface coating for abuse resistance. Natural is unpainted.

Fire Performance

Class A. Flame Spread Index 25 or less and Smoke Developed Index 50 or less when tested in accordance with ASTM E84.

CAN/ULC S102 surface burning characteristics. Flame Spread Index of 25 or less and Smoke Developed Index of 50 or less.

VOC Emissions

Third-party certified compliant with California Department of Public Health CDPH/EHLB/Standard Method Version 1.2, 2017. This standard is the guideline for low emissions in LEED®, WELL™ Building Challenge, Living Building Challenge® (LBC), CalGreen Title 24, ANSI/ASHRAE/USGBC/IES Standard 189; ANSI/GBI Green Building Assessment Protocol

Tectum® panels meet CDPH guidelines in enclosed office at 50% wall coverage. View certificate Details at armstrongceilings.com/warranty/tectum.

Humidity/Sag Resistance

HumiGuard® Plus performance panels are recommended for areas subject to high humidity, up to, but not including, standing water and outdoor applications.

Anti-Mold/Mildew

Ceiling tiles with BioBlock® performance resist the growth of mold and mildew on the tile surface.

Installation Considerations

Use caution and wear appropriate hand, eye, and dust mask protection when cutting and installing Tectum® panels. Refer to installation instructions for complete details and cutting recommendations. Beveled edges on all sides should be specified on all adjoining panel installations.

Primary (Embodied) Energy

See all LCA information on our EPDs.

Application Considerations

Color variation among panels is common due to the natural characteristics of the wood on White and Natural panels.

Wood fibers may appear orange on Natural colored panels due to the characteristics of the wood.

Design Considerations

Tectum Shapes are inherently directional due to manufacturing constraints. The finished visual on the front and back of the panel will not match exactly. 360 degree factory or field painting is recommended for all installations.

Design Support

Project management assistance is available by calling TechLine at 1 877 276-7876.

Cleaning and Disinfecting

Cleaning and CDC approved disinfecting options available on armstrongceilings.com/cleaning

Warranty

30-Year Warranty. Details at armstrongceilings.com/warranty

Weight

1" – 1.63 lbs/SF
1-1/2" – 2.55 lbs/SF
2" – 3.50 lbs/SF

