

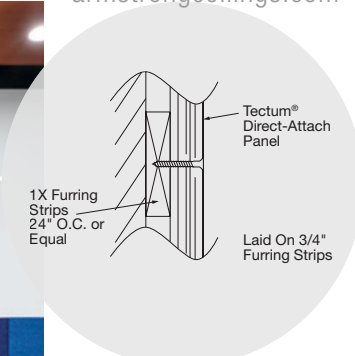
# TECTUM® Direct-Attach TECTUM Direct-Attach High NRC

Acoustical Wall Panels  
coarse texture



CONTAIN CLEAN PROTECT

CAD/Revit® drawings at:  
armstrongceilings.com



## TECTUM® CREATE!™ CUSTOM CEILING AND WALLS



armstrongceilings.com/tectumcreate

▲ Tectum Direct-Attach wall panels in custom colors

Tectum® Direct-Attach and Direct-Attach High NRC wall panels provide durable, sustainable, acoustical options for a wide variety of applications.

### KEY SELECTION ATTRIBUTES

- new** • Tectum® Direct-Attach panels now have UL® Certified acoustics with acoustical testing and reporting that align with industry-wide best practices
- new** • Tectum Direct-Attach High NRC panels have a proprietary, factory-applied acoustical backer, adding sound absorption that is certified by UL
- new** • CleanAssure™ family of products – includes disinfectable panels, suspension systems, and trim (standard colors only)
- new** • Now print imagery or patterns on 1" thick 23-3/4" X 48" and 47-3/4" X 96" Tectum® Create!™ custom wall panels to bring beauty to interiors
- new** • Select products included in the FAST134 program – ready to ship in 4 weeks or less
- Tectum panels are part of the Sustain® portfolio and meet the most stringent industry sustainability compliance standards today – 1" panels in White and Natural only
- Long and short beveled edges are available as a standard option
- Great retrofit solution for noise reduction
- Excellent sound absorption – NRC up to 0.85 (1" panel, C-40 Mounting)
- Can be field painted up to 6 times without impacting acoustic or fire performance
- Variety of made-to-order color options available
- Can be mechanically fastened to a wide variety of surfaces including masonry and drywall
- USDA Biobased Content: 98%

**COLORS** Due to printing limitations, shade may vary from actual product.



\* For Tectum Direct-Attach only. Made-to-order, custom color panels, and any panels greater than 1" thick are not included in Sustain portfolio.

### DETAILS



1. Tectum Direct-Attach Panel in White
2. Tectum Direct-Attach Panels in White
3. Tectum Direct-Attach High NRC proprietary acoustical backer

Note: Standard panel edges are unfinished. Painted panel edges available through special order. Custom color panel edges are fully painted.

# TECTUM® Direct-Attach TECTUM Direct-Attach High NRC

Acoustical Wall Panels  
coarse texture



For LEED contribution visit  
armstrongceilings.com/greenie



## VISUAL SELECTION

	Item No. ♦	Dimensions W x L x H (Inches)
TECTUM® Direct-Attach Wall Panels (FSC® Certified)	8182T10_ _ _	23-3/4 x 48 x 1"
Long Edges Beveled/ Short Edges Square	8181T10_ _ _	23-3/4 x 96 x 1"
Long Edges Beveled/ Short Edges Square	8180T10_ _ _	47-3/4 x 96 x 1"
Long Edges Beveled/ Short Edges Beveled*	8175T10_ _ _	23-3/4 x 48 x 1"
	8174T10_ _ _	23-3/4 x 96 x 1"
	8173T10_ _ _	47-3/4 x 96 x 1"
<b>Other Size Panels</b>		W 23-3/4" – 48" L: 12" – 144" 1", 1-1/2", or 2" thickness
<b>NEW</b> TECTUM Direct-Attach High NRC Wall Panels (FSC-certified)	5338W2L04T10_ _ _	23-3/4 x 48 x 1"
Long Edges Beveled/ Short Edges Square	5338W4L04T10_ _ _	47-3/4 x 48 x 1"
	5338W2L08T10_ _ _	23-3/4 x 96 x 1"
	5338W4L08T10_ _ _	47-3/4 x 96 x 1"



FAST134 program items ready to ship from manufacturer in 4 weeks or less.  
Up-to-date lead times and product options (sizes and colors) at [armstrongceilings.com/fast134](http://armstrongceilings.com/fast134).

♦ When specifying or ordering, include the appropriate 3-digit color suffix TNA = Natural TWH = White (e.g. 8182T10 I W H)  
\* NOTE: Four-sided beveled edge panels are recommended in adjoining panel installations.

## ACCESSORIES

Item No. ♦	Description	Quantity	Item No. ♦	Description	Quantity	Item No. ♦	Description	Quantity
8187L16_ _ _	#6 x1-5/8" Painted Head – Sharp point Screws	1000/ctn	8188L16_ _ _	#6 x1-5/8" Painted Head – Drill point Screws	1000/ctn	8189L22_ _ _	2-1/4" Painted Head – CMU Screws	500/ctn

♦ When specifying or ordering, include the appropriate 3-digit color suffix TNA = Natural; TWH = White (e.g. 8187L16 I W H) Consult installation instructions for fastener guidance.  
NOTE: Projects may require alternative screw lengths and types depending on site conditions. Please consult installation instructions for guidance.

## PHYSICAL DATA

**Material**  
Cementitious Wood Fiber; FSC-certified. For more information about FSC-certified fire-retardant products, or to view our FSC-certification letter, contact TechLine at 1 877 276-7876.

Tectum High NRC panels have an acoustical fleece.

**Surface Finish**  
Factory-applied latex paint with silicate surface coating for abuse resistance. Natural is unpainted.

**Fire Performance**  
Class A. Flame Spread Index 25 or less and Smoke Developed Index 50 or less when tested in accordance with ASTM E84.

**VOC Emissions**  
Third-party certified compliant with California Department of Public Health CDPH/EHLB/Standard Method Version 1.2, 2017. This standard is the guideline for low emissions in LEED®, WELL Building Standard™, CalGreen Title 24, ANSI/ASHRAE/USGBC/IES Standard 189; ANSI/BQI Green Building Assessment Protocol.

**Humidity/Sag Resistance**  
HumiGuard® Plus performance panels are recommended for areas subject to high humidity, up to, but not including, standing water and outdoor applications.

**Anti-Mold/Mildew**  
Ceiling panels with BioBlock® performance resist the growth of mold and mildew on the panel surface.

**Installation Considerations**  
Panels must be mechanically attached to approved substrate per installation instructions. To achieve proper finished visual, panels should be installed in an ashlar pattern. Four-sided beveled edge panels are recommended in adjoining panel installations.

Use caution and wear appropriate hand, eye, and dust mask protection when cutting and installing Tectum panels. Refer to installation instructions for complete details and cutting recommendations.

**Primary (Embodied) Energy**  
See all LCA information on our EPDs.

**Application Considerations**  
Color variation among panels is common due to the natural characteristics of the wood on White and Natural panels. Wood fibers may appear orange on natural-colored panels due to the characteristics of the wood.

**Design Considerations**  
For walls that may experience condensation or moisture, such as uninsulated exterior walls, D- or C- mounting is required to create a gap between the structure and the panel.

**Cleaning and Disinfecting**  
Cleaning and CDC approved disinfecting options available on [armstrongceilings.com/cleaning](http://armstrongceilings.com/cleaning)

**Seismic Restraint**  
Tectum Direct-Attach panels are approved for application in all seismic areas when installed per the seismic guidelines in the Armstrong Ceilings & Walls Installation Instructions.

**Warranty**  
30-Year Warranty. Details at [armstrongceilings.com](http://armstrongceilings.com)

**FAST134 Program Considerations**  
Size of Job Matters: Big jobs over 2500 SF, or 50 pieces for shapes/vertical elements, will have longer lead times.  
Location Matters: Transit time not included. We are ready to ship in 1 week on FAST1 items. However, transit to the states west of Wyoming may add time.  
Distributor Truck Schedule Matters: We rely on distribution to help move products around the country. When speed matters, work with your local distributor to ensure FAST134 service.  
Stock vs Made-to-Order Matters: FAST3 & FAST4 items are made-to-order and will ship direct to distributor. FAST1 (stocked items) will go through distribution and depend on distributor truck schedules.

**Weight, Pcs and SF/Pallet**  
1" – 1.65 lbs/SF 1-1/2" – 2.53 lbs/SF  
2" – 3.3 lbs/SF  
8180T10, 8173T10 – 36 pcs/pallet; 1,152 SF/pallet  
8181T10, 8174T10 – 72 pcs/pallet; 1,152 SF/pallet  
8182T10, 8175T10 – 72 pcs/pallet; 572 SF/pallet  
5338W4L08T10, 5338W4L04T10, 5338W2L08T10, 5338W2L04T10 – sold by the piece

LEED® is a registered trademark of the U.S. Green Building Council; Declare® and Living Building Challenge™ (LBC) are trademarks of the International Living Future Institute™; WELL™ and WELL Building Standard™ are trademarks of the International WELL Building Institute; FSC® is a registered trademark of FSC Forest Stewardship Council, A.C., license code FSC-C007626; Revit® is a registered trademark of Autodesk, Inc.; UL and UL Certified are registered trademarks of UL LLC; all other trademarks used herein are the property of AWI Licensing LLC and/or its affiliates © 2021 AWI Licensing LLC

TechLine / 1 877 276-7876  
[armstrongceilings.com/tectum](http://armstrongceilings.com/tectum)  
BPCS-5716-921



PARTITIONS & WALLS