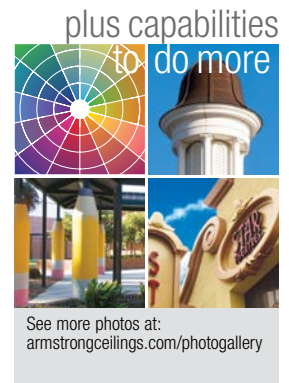


PLASTERFORM™ FRP

Glass Fiber Reinforced Polyester Resin



Plasterform™ FRP custom gargoyle ornamental details



Plasterform™ FRP is the lightweight, economical, and impact resistant choice for applications requiring weather resistance and durability.

KEY SELECTION ATTRIBUTES

- Cast into any shape or compound curve
- Weighs only 2-3 lbs. per square foot
- Exterior use only
- Easy to install
- Low maintenance; retains shape & beauty
- Versatile finishes, colors, and textures

TYPICAL APPLICATIONS

- Columns
- Cornices
- Domes
- Panels
- Planters
- Cupolas
- Fountains
- Signage
- Rainscreens
- Decorative Elements

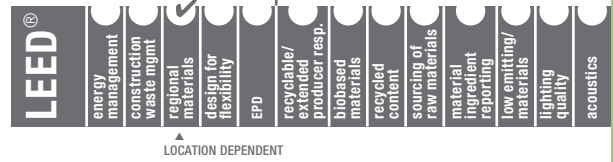
COLORS FRP castings can be supplied opaque, translucent, paint grade for field painting, or pre-finished to achieve any desired color. They can also be textured and pigmented to simulate stone, wood, or steel.



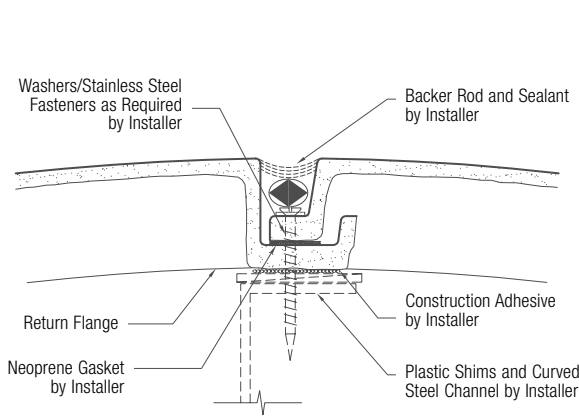
Custom Colors Available

PLASTERFORM™ FRP

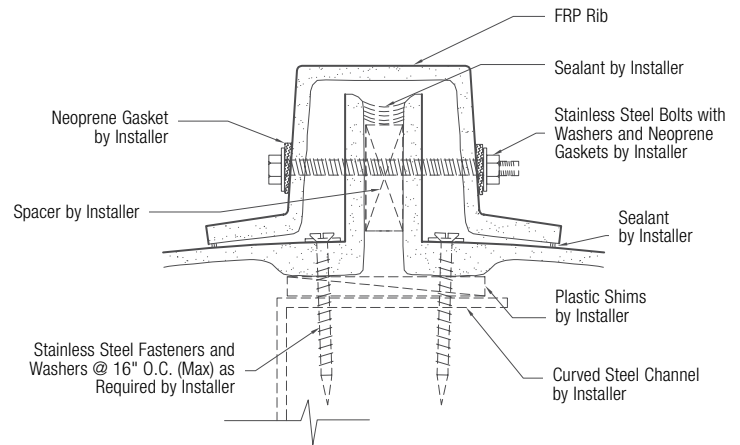
Glass Fiber Reinforced Polyester Resin



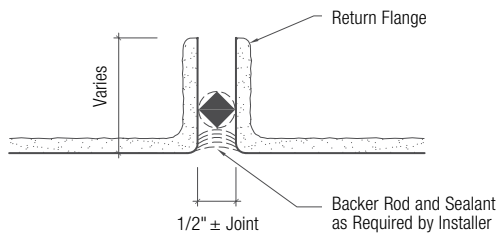
DETAIL DRAWINGS



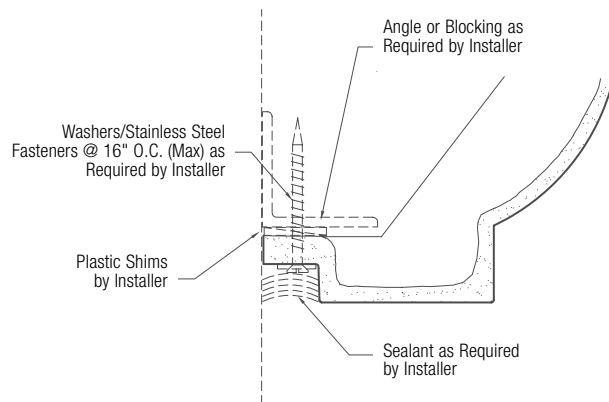
FRP DOME JOINT – OPTION #1



FRP DOME JOINT – OPTION #2



FRP PANEL-TO-PANEL JOINT



FRP CORNICE – BOTTOM CONNECTION

PHYSICAL DATA

Material

Plasterform™ Glass Fiber Reinforced Polyester Resin is a composite consisting of gel coat, polyester resin, and glass fibers.

Surface Finish

FRP can be supplied paint grade or pre-finished, and can be textured and painted to simulate stone, wood, or steel.

Fire Performance

Flame spread index of 25 or less per ASTM E84.

Installation Considerations

Install Plasterform FRP parts as indicated on approved shop drawings, other recommendations, and the contract requirements.

Use caution and wear appropriate hand, eye, and dust mask protection when handling Plasterform FRP. Refer to installation instructions for complete details.

Application Considerations

Plasterform FRP is strong and lightweight making it an ideal product for domes, cupolas, and steeples. FRP can be made in large components offering part consolidation and minimizing joints.

Design Support

Project management assistance is available by calling TechLine at 877 276-7876.

Warranty

One (1) Year Limited Warranty. Details at armstrongceilings.com

Weight

2-3 lbs/SF (may vary depending on part design)