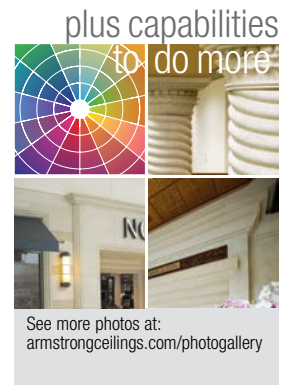


PLASTERFORM™ Cast Stone

Interior Molded Stone Composite



Plasterform™ Cast Stone wall panels



Plasterform™ Cast Stone is an economical and flexible solution for interior castings that replicate the look of natural stone.

KEY SELECTION ATTRIBUTES

- Cast into any shape or compound curve
- Weighs only 2-5 lbs. per square foot
- Durable
- Offers unlimited design possibilities
- 12 standard colors and custom colors available
- Interior use

TYPICAL APPLICATIONS

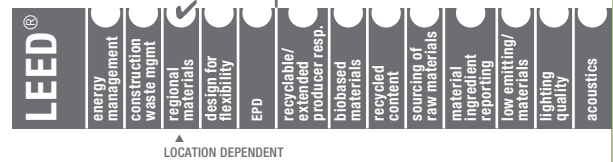
- Columns
- Cornices
- Trim
- Demising Piers
- Flat Panels
- Pediments
- Door Surrounds
- Fireplaces
- Signage
- Wall Panels

COLORS Due to printing limitations, shade may vary from actual product.

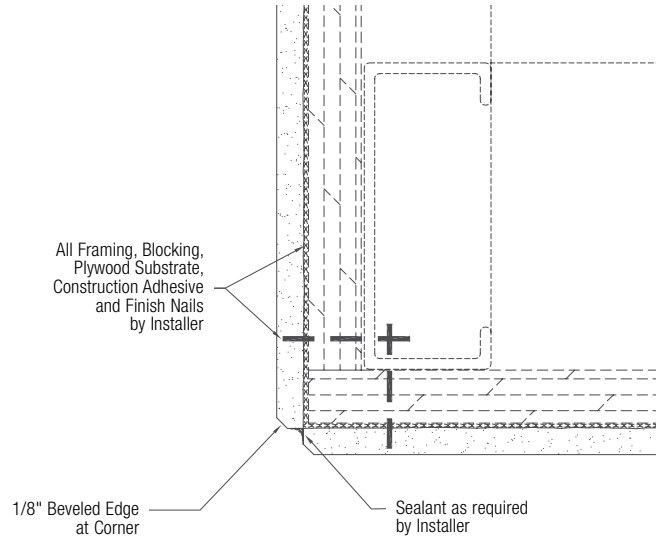


PLASTERFORM™ Cast Stone

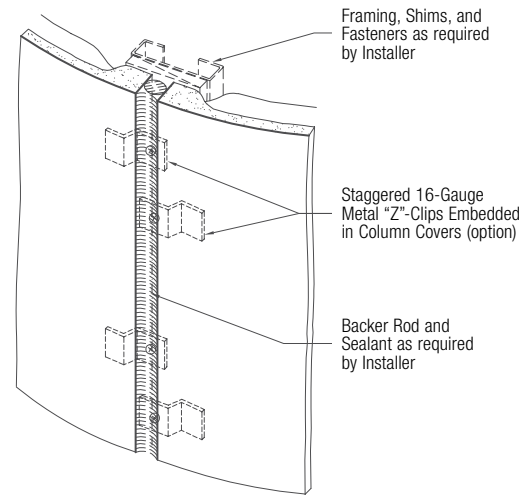
Interior Molded Stone Composite



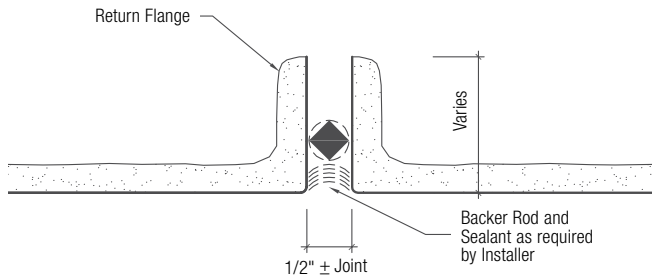
DETAIL DRAWINGS



CAST STONE OUTSIDE CORNER DETAIL



3D VIEW OF CAST STONE COLUMN JOINT



CAST STONE PANEL-TO-PANEL JOINT

PHYSICAL DATA

Material

Plasterform™ Cast Stone is an interior molded stone (IMS) composite consisting of alpha gypsum cement, pigment, aggregate, water, and polymers.

Surface Finish

Cast Stone is available in twelve standard colors and custom colors. Cast Stone castings are sealed with a clear satin for a durable finish.

Fire Performance

Class A Fire Performance per ASTM E84.

Installation Considerations

Install Plasterform Cast Stone parts as indicated on approved shop drawings, other recommendations, and the contract requirements.

Use caution and wear appropriate hand, eye, and dust mask protection when handling Plasterform Cast Stone. Refer to installation instructions for complete details.

Application Considerations

Cast Stone replicates the look of natural stone but can be cast into any shape for interior use.

Design Support

Project management assistance is available by calling TechLine at 1 877 276-7876.

Warranty

One (1) Year Limited Warranty. Details at armstrongceilings.com

Weight

2-5 lbs/SF (may vary depending on part design)