

METALWORKS™ Family Trim and Accessories

TRIM Required clips must be ordered separately

Item No. ◆	Description	Dimensions (Inches) Nominal W x L x H	Colors	Pieces/ Carton	Item No.	Description	Pieces/ Carton
AX2VESTR __	Axiom® Vector Trim – 2" Straight	3/4 x 120 x 2"	WH, SG, MY, BL	–	7800 __	144" Hemmed Angle Molding	30
AX4VESTR __	Axiom Vector Trim – 4" Straight	3/4 x 120 x 4"	WH, SG, MY, BL	–	7835 __	120" Hemmed Channel Molding	20
AX6VESTR __	Axiom Vector Trim – 6" Straight	3/4 x 120 x 6"	WH, SG, MY, BL	–	7835SC	Spreader Bar for Channel Molding	150
5342 _ _ _ _	2" Effects™ Wood Looks Trim	Nominal 120" length	FXMP, FXCH, FXDC, FXWN, FXOK, FXWE	6	7870	Spring Border Clip	1000
5344 _ _ _ _	4" Effects Wood Looks Trim	Nominal 120" length	FXMP, FXCH, FXDC, FXWN, FXOK, FXWE	6			
5346 _ _ _ _	6" Effects Wood Looks Trim	Nominal 120" length	FXMP, FXCH, FXDC, FXWN, FXOK, FXWE	6			
7125 _ _ _	Box Molding (for Laminates, Black is recommended)	2 x 96 x 1-1/2"	WHA, SIA, MYA, SAA, LMA, BAA, BL	6			
7126	Box Molding Spreader Hold Down	1 x 10-5/8 x 1-1/2"	–	10			
7147 _ _ _	Torsion Spring Perimeter Trim (Extruded)	1 x 120 x 4"	WH, SG, MY, BL	6			
7131 _ _ _	Torsion Spring Perimeter Trim (Formed)	1 x 96 x 4-1/4"	LMA, BAA, SAA	6			

TRIM COLORS (Custom colors and veneers available.)

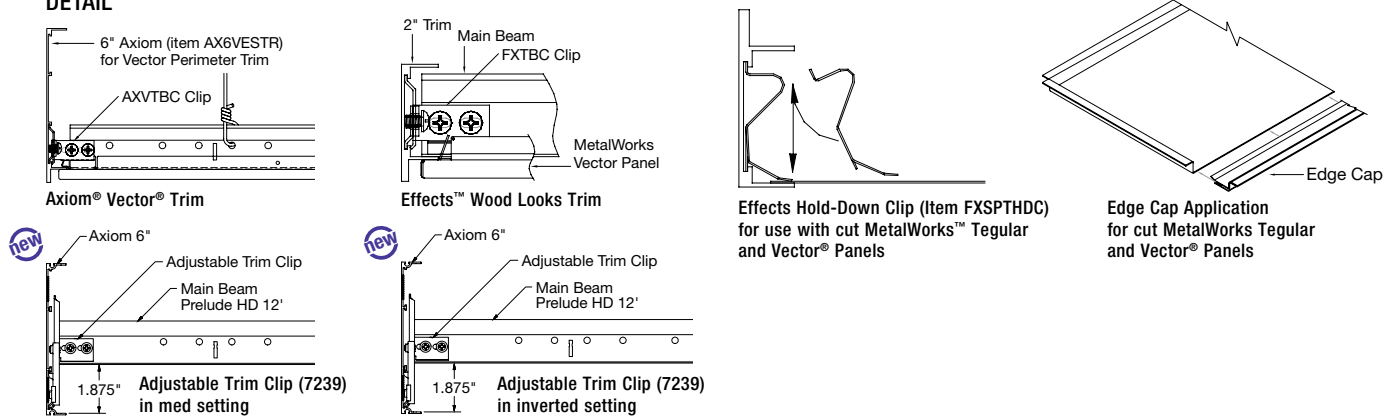
White (WH)	Satin Anodized (SAA)
Silver Grey (SG)	Lacquer Mill (LMA)
Gun Metal Grey (MY)	Brushalume (BAA)
Black (BL)	Whitelume (WHA)
Effects™ Maple (FXMP)	Silverlume (SIA)
Effects Cherry (FXCH)	Gun Metal (MYA)
Effects Dark Cherry (FXDC)	
Effects Walnut (FXWN)	
Effects Oak (FXOK)	
Effects Walnut Espresso (FXWE)	

◆ When specifying or ordering, include the appropriate 2-, 3-, or 4-letter color suffix with the item number (e.g., AXZVESTR W H, 7125 W H A, or 5342 E X C H).

For information on additional Axiom Trim options and accessories see Pgs. 480-481, 491.

NOTE: Effects Wood Looks Trim cartons include FXSPICE plates and FXTBC clips.

DETAIL



Adjustable Trim Clip (ATC; Item 7239) to integrate 6" or taller Trim with MetalWorks panels or planks that drop greater than 3/8" below the grid flange, such as Linear, Torsion Spring, or Clip-On.

INFILL PANELS

Item No.	Description	Dimensions (Inches)	NRC	CAC	Colors	Pieces/ Carton
5479	BioAcoustic™ Infill Panel	24 x 24 x 5/8"	0.75	N/A	Beige	12
5823	BioAcoustic Infill Panel	24 x 24 x 5/8"	0.75	N/A	Black (Matte)	12
8200T10	1" Fiberglass Infill Bag	24 x 24 x 1"	0.80	N/A	Black (Gloss)	12
2820BL	Calla® Square Lay-in Panel Black	24 x 24 x 1"	0.85	35	Black	10
1728BL	Fine Fissured™ Square Lay-in Panel	24 x 24 x 5/8"	0.55	33	Black	16
1713	School Zone® Fine Fissured™ Square Lay-in Panel	24 x 24 x 5/8"	0.70	35	White	12
1714	School Zone® Fine Fissured™ Square Lay-in Panel	24 x 48 x 5/8"	0.70	40	White	8
2820	Calla® Square Lay-in Panel	24 x 24 x 1"	0.85	35	White	10

DETAILS



1. BioAcoustic™ Infill Panel – Beige
2. BioAcoustic™ Infill Panel – Black
3. 1" Fiberglass Infill Panel (in poly bag)
4. Fine Fissured™ Square Lay-in Panel
5. Cortega® Square Lay-in Panel

METALWORKS™ Family Trim and Accessories

ACCESSORIES

Item No. ◆	Description	Dimensions (Inches)	Colors	Pieces/ Carton	Item No.	Description	Dimensions (Inches)	Colors	Pieces/ Carton
Panel Accessories					Trim Accessories (continued)				
6096	15/16" Edge Cap for Cut 5/16" Tegular Panels*	Nominal 24"	WH, SG, MY, BL	50	FXSPHDC	Effects™ Hold-Down Clip for Cut Panel Installations	-	-	10
6099	9/16" Edge Cap for Cut 5/16" Tegular Panels*	Nominal 24"	WH, SG, MY, BL	50	FHDC	Faceted Hold-Down Clip	-	-	10
6098	Vector® Edge Cap for Cut Panels	Nominal 24"	WH, SG, MY, BL	50	UHDC	Universal Hold-Down Clip	-	-	1,000
84008	Vector Single-Slot Air Diffuser	24" x 24"	WH, SG, MY, BL	1	FZUHDC	FastShip Universal Hold-Down Clip	-	-	50
Trim Accessories					CHDC	Clear Hold-Down Clip	-	-	50
FXSPICE	2" Splice Plate w/ Setscrews	-	N/A	10	FXTBC	Effects™ T-Bar Connector Clip	-	N/A	10
FX4SPICE	4" Splice Plate w/ Setscrews	-	N/A	10	FXVTBC	Effects™ Vector T-Bar Connector Clip	-	-	10
◆ When specifying or ordering, include the appropriate 2-letter color suffix with the item number (e.g., 6096 M Y).					new 7239	Adjustable Trim Clip	-	-	50
* Edge caps in White, Silver Grey, Gun Metal Grey, and Black (for Effects™ finishes only).									

CORNICES – STANDARD FOR USE WITH METALWORKS™ TIN (Nail-up panels only)

Item No. ◆	Description	Dimensions (Inches)	Color	Pieces/Carton
56051	Corner Molding	1-1/2 x 1-1/2 x 48"	See below	-
56053	Corner Molding	1-7/8 x 1-7/8 x 48"	See below	-
56052	Corner Molding	3 x 3 x 48"	See below	-
56054	Corner Molding	4-1/2 x 4-1/2 x 48"	See below	-
56055	Corner Molding	6-1/8 x 6-1/8 x 48"	See below	-
56056	Corner Molding	9 x 9 x 48"	See below	-
5600	Conehead Nails (installs up to 200 SF per carton)	1-1/4"	See below	-
5600HDC	Tin Hold Down Clips	-	-	200

◆ When specifying or ordering, include the appropriate 3-letter color suffix with the item number (e.g., 56051 I A M)

CORNICES COLORS

White (TWH) Lacquered Steel (TLS)
Bare Steel (TNA) Copper (TCP)

ACCESSORIES COLORS

White (WH) Gun Metal Grey (MY)
Silver Grey (SG) Black (BL)