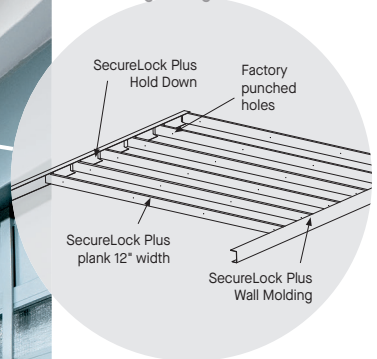


METALWORKS™ SecureLock™ Plus

Screw-in
smooth texture



CAD/Revit® drawings at:
armstrongceilings.com/cadrevit



MetalWorks™ SecureLock™ Plus plank unperforated in White

Tamper-resistant ceilings for non-accessible plenum areas.

KEY SELECTION ATTRIBUTES

- Tamper-proof plank ceiling
- System capable of withstanding 600 impacts with 200 foot-pound of energy
- Screw-in point-load plank system tested to withstand 960 to 3,100 lbs of force
- 12-, 14-, and 16-gauge galvanized steel planks for added strength and durability
- Available in 12", 18", and 24" widths and up to 12' lengths
- Protection against contraband concealment
- Stainless steel planks and suspension available for shower or high humidity areas
- Concealed locking
- Durable – Washable, scrubbable, soil resistant
- Accepted by the New York State Office of Mental Health Patient Safety Standard, Materials and Systems Guidelines

TYPICAL APPLICATIONS

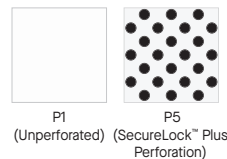
- Correctional facilities
- Judicial facilities/courthouses
- Non-accessible areas
- Healthcare - psychiatric and juvenile wards
- Transportation
- Maximum security areas

COLORS Due to printing limitations, shade may vary from actual product.

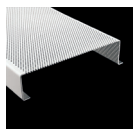


* Premium finish options

PERFORATION OPTIONS (1/2 scale shown)



DETAILS



MetalWorks™ SecureLock™ Plus Perforated Plank

METALWORKS™ SecureLock™ Plus

Screw-in
smooth texture

LEED® WELL | LBC

UP TO **15% RECYCLED CONTENT**



For LEED contribution contact TechLine

- energy management
- construction waste mgmt
- regional materials
- design for flexibility
- EPD
- recyclable/repairable producer resp.
- biobased materials
- recycled content
- sourcing of raw materials
- material ingredient reporting
- low emitting materials
- lighting quality
- acoustics

LOCATION DEPENDENT

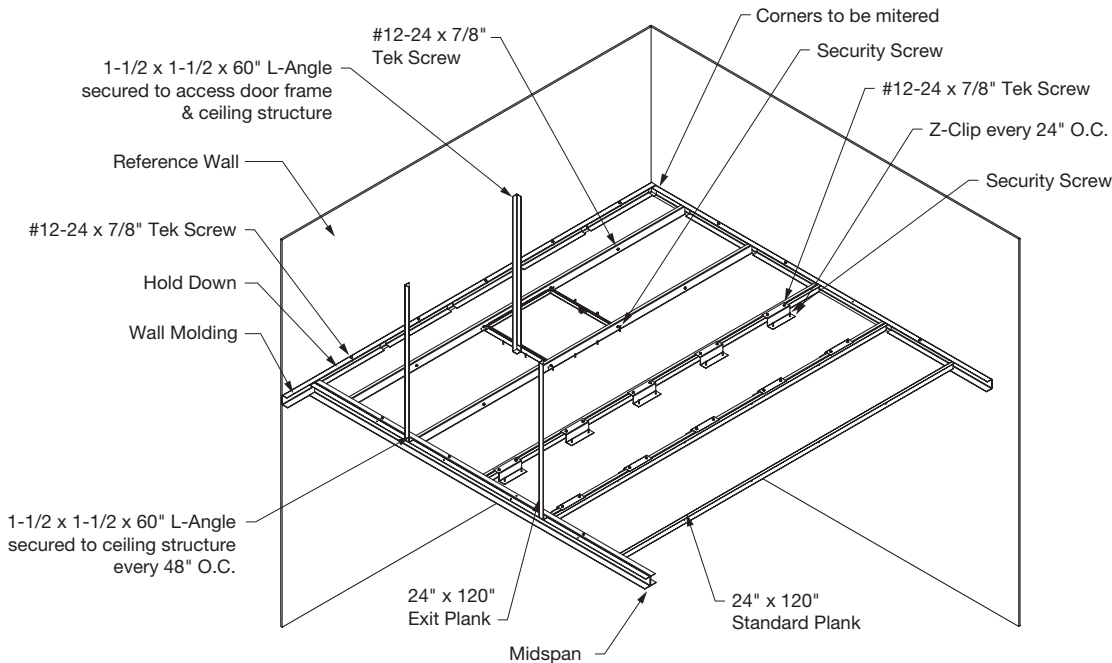
WITH INFILL PANEL

ACOUSTIC INFORMATION

Perforation	NRC*
<p>P1</p>  <p>Unperforated</p>	N/A
<p>P5</p>  <p>SecureLock™ Plus</p>	0.80

*With optional fiberglass infill item 8200T10

INSTALLATION DETAILS



PHYSICAL DATA

Material
Electrogalvanized Steel – thickness 18-gauge SecureLock™ Plus is available in stainless-steel as a special order.

Surface Finish
Factory-applied powder-coated finish (post-coated)

Fire Performance
ASTM E84 and CAN/ULC S102. Flame Spread Index 25 or less. Smoke Developed Index 50 or less.

Design/Installation Considerations
Planks installed in correctional facilities are recommended for supervised areas. For detailed impact and point load test results, contact TechLine at 1 877 276 7876.

Warranty
Details at armstrongceilings.com/warranty

Weight (Unperforated)
12-gauge - 4.53 lbs/SF
14-gauge - 3.24 lbs/SF
16-gauge - 2.66 lbs/SF

