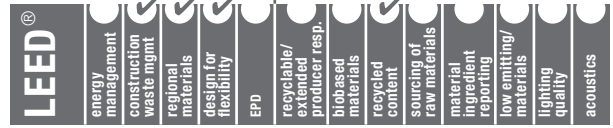


Linear Lighting for Drywall and ACOUSTIBuilt®

50% RECYCLED CONTENT

Calculate LEED contribution at armstrongceilings.com/greengenie



LOCATION DEPENDENT



Create inspiring ceiling designs with higher ceiling heights, zero plenum interference, and on-center continuous or non-continuous customized layouts that provide clean, modern aesthetics.

KEY SELECTION ATTRIBUTES

- Seamless integration between drywall ceilings and ACOUSTIBuilt™ linear lighting for consistent fit and finish
- Leverage LED in long runs to create a monolithic look - varying length and on-center spacing true to design intent
- Faster and easier to build and install compared to traditional framed linear lighting
- Light fixture installs from below the ceiling to optimize ceiling heights

LIGHTING FIXTURES

Compatible with XAL Leno Luminaire or Axis Click



TYPICAL APPLICATIONS

- Offices
- Healthcare
- Hospitality
- High-Rise Residential

VISUAL SELECTION

Item No.	Description	Fixture Length
Drywall Linear Lighting		
□ DGSLLTK24	2' Linear Light Trim Kit	24" x 4"
□ DGSLLTK30	2' – 6" Linear Light Trim Kit	30" x 4"
□ DGSLLTK48	4' Linear Light Trim Kit	48" x 4"
□ DGSLLTK60	5' Linear Light Trim Kit	60" x 4"
□ DGSLLTK72	6' Linear Light Trim Kit	72" x 4"
□ DGSLLTK90	7' – 6" Linear Light Trim Kit	90" x 4"
□ DGSLLTK96	8' Linear Light Trim Kit	96" x 4"
□ DGSLLTK120	10' Linear Light Trim Kit	120" x 4"
□ DGSLLTKCON	10' Continuous Linear Light Trim Kit	10'

Linear Light Trim Kits designed to work with 5/8" drywall

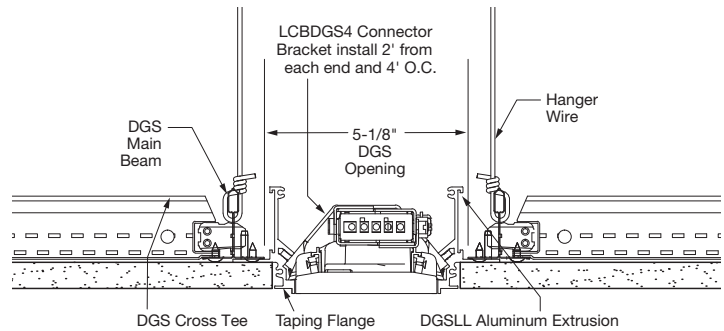
ACOUSTIBuilt Linear Lighting

□ DGSLLACBTK24	2' Linear Light Trim Kit	24" x 4"
□ DGSLLACBTK30	2' – 6" Linear Light Trim Kit	30" x 4"
□ DGSLLACBTK48	4' Linear Light Trim Kit	48" x 4"
□ DGSLLACBTK60	5' Linear Light Trim Kit	60" x 4"
□ DGSLLACBTK72	6' Linear Light Trim Kit	72" x 4"
□ DGSLLACBTK90	7' – 6" Linear Light Trim Kit	90" x 4"
□ DGSLLACBTK96	8' Linear Light Trim Kit	96" x 4"
□ DGSLLACBTK120	10' Linear Light Trim Kit	120" x 4"
□ DGSLLACBTKCON	10' Continuous Linear Light Trim Kit	10'

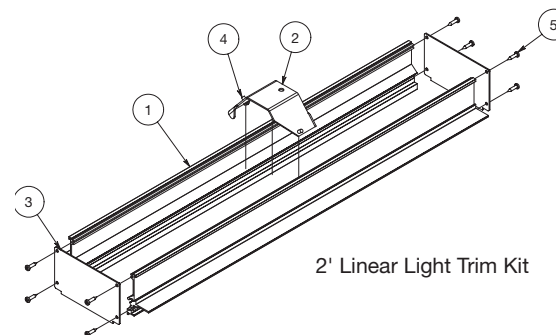
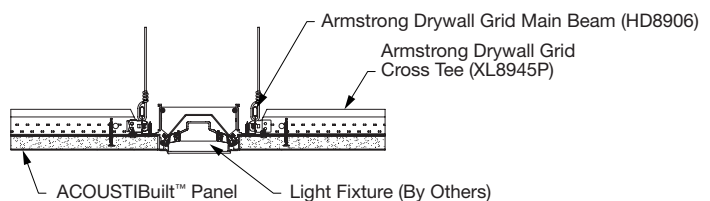
Trim Kit Components Included

1. Aluminum Extrusions (2)
2. Connector Bracket (varies)
3. End Plates (2)
4. #8-32 x 5/16" Pan Head Machine Screws
5. #6-20 x 5/8" Pan Head Sharp Point Screws

NOTE: Refer to the Drywall/Stucco/Plaster – Flat Ceilings Data Page (BPCS-3081) to view additional components needed.



DGSLL Aluminium Extrusion



2' Linear Light Trim Kit

Acoustical On-Center Linear Lighting for Acoustical Panels

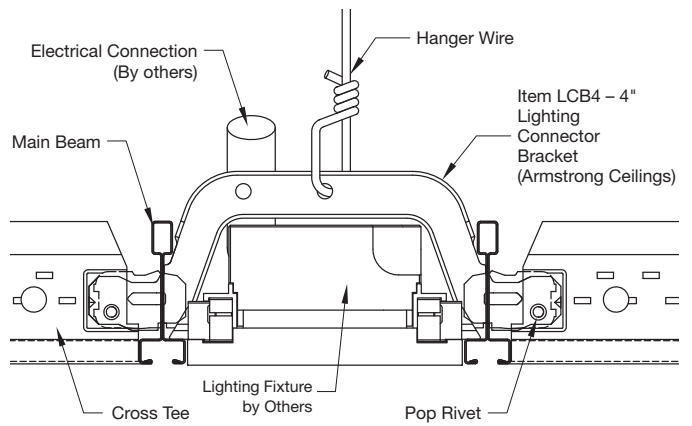
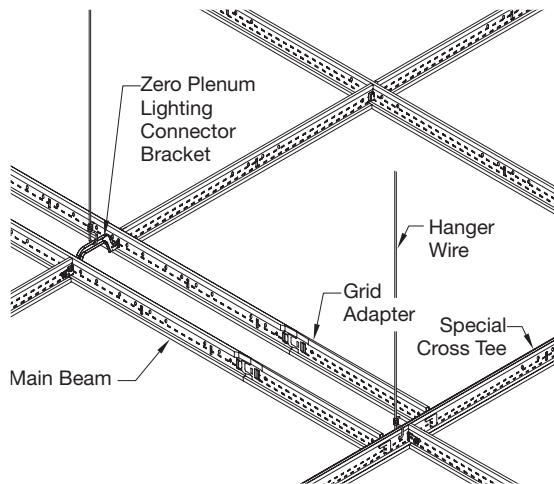


KEY SELECTION ATTRIBUTES

- Continuous or Non-continuous On-center Linear Lighting Layouts – Inspiring symmetry to match your building design
- Zero Interference – Eliminates interference with mechanicals in the plenum
- Zero Construction Coordination – Install from below to speed construction
- Zero Independent Suspension – No independent suspension is required; approved for Seismic D, E, F installations

Using a combination of FastSize™ factory-finished ceiling panels and suspension systems, perfect lighting layouts like this are easy to specify and install.

* Refer to the FastSize™ data page (BPCS-4623) to view ceiling panels and suspension systems.



Acoustical On-Center Linear Lighting

COLOR SELECTION

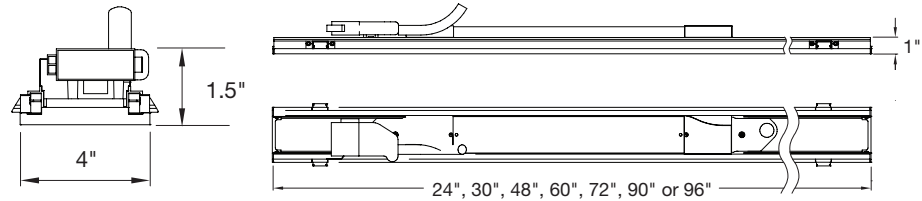
Standard

Due to printing limitations, shade may vary from actual product.



White
(WH)

XAL LENO ZERO PLENUM LUMINAIRE FOR ACOUSTICAL AND DRYWALL APPLICATIONS

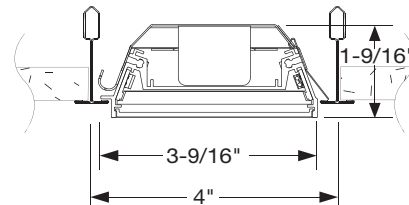


The new ultra thin XAL LENO Zero Plenum luminaire installs from below and features:

- High output, energy efficient LED lighting for any space
- High performance opal cover for uniform illumination and enhanced glare control
- Extruded aluminum fixture design
- White powder coated finish
- Integrated plug and play electrical connections
- Choice of light outputs to achieve any desired light level
- Dimming options available

For detailed lighting information, contact your local XAL lighting representative or visit XALUSA.com

AXIS CLICK



Connect-Insert-Click - shallow linear system that installs from below:

- 1-3/4" shallow housing – same height as T-Bar
- Install and maintain from below with no need for access from above
- Can be installed after ceiling has been closed
- Ultra-thin lightguide technology delivering comfortable, uniform illumination along entire lens
- Seismic-tested and approved luminaire
- Hinged driver cover with full driver and wiring access

For detailed lighting information, contact your local Axis lighting representative or visit axislighting.com

PHYSICAL DATA

Material

Commercial quality extruded aluminum alloy 6063

Surface Finish

Factory-applied baked polyester paint finish

Warranty

10-Year Limited Warranty; 30-Year System Warranty

ICC Reports

For areas under ICC jurisdiction, see evaluation report numbers ESR-1289 and ESR-1308 for allowable values and/or conditions of use concerning the suspension system components listed on this page. The reports are subject to reexamination, revisions, and possible cancellation.