

# DRYWALL/STUCCO/PLASTER – Flat Ceilings

## Suspension Systems



Declare.

LEED WELL LBC  
UP TO 61% RECYCLED CONTENT

- energy management
- construction waste mgmt
- regional materials
- design for flexibility
- EPD
- recyclable/extended producer resp.
- biobased materials
- recycled content
- sourcing of raw materials
- material ingredient reporting
- low emitting materials
- lighting quality
- acoustics

Calculate sustainability with GreenGenie™  
armstrongceilings.com/greengenie

LOCATION DEPENDENT

Well Building Standard™ (WELL)  
Living Building Challenge® (LBC)

Armstrong® Drywall Grid is 3x faster than traditional track and channel framing – saving you time and labor.

### KEY SELECTION ATTRIBUTES

- Some components available in High Recycled Content (HRC): Total Recycled Content 61%, Post-consumer 53%, Pre-consumer 8%
- Non-HRC items have 30% recycled content
- PeakForm® patented profile increases strength and stability for improved performance during installation
- SuperLock™ main beam clip is engineered for a strong, secure connection and fast, accurate alignment confirmed with an audible click; easy to remove and relocate
- HD8906IIC main beam accepts integral Impact Isolation Clips (IIC) to provide up to eight points of IIC improvement.
- ScrewStop™ reverse hem prevents screw spin off on 1-1/2" wide face
- Rotary-stitched during manufacture by a patented method for additional torsional strength and extra stability during installation
- HD8906 (HRC) main beams and cross tees with extra routings for Type F light fixtures
- Minimum G40 hot dipped galvanized coating, per ASTM C645; provides superior corrosion resistance
- Wind uplift construction available
- XL® (staked-on end detail) cross tees provide secure locked connection; fast and easy to install
- All drywall components minimum .018" steel thickness; complies with ASTM C645
- Accommodates stud, track, hat channel, wood, or other supplemental framing
- Fire Guard™ components meet broad range of UL® design assemblies (XL7936G90 is not fire rated)
- 10-Year Limited System Warranty, 30-Year Limited Ceiling Systems Warranty
- G90 hot dipped galvanized coating is available for exterior applications (HD8906G90, XL8945PG90, XL8947PG90, XL8965G90, XL8925G90, XL7936G90)
- SimpleCurve® bend to create curves as tight as 52"

### TYPICAL APPLICATIONS

- Indoor/outdoor applications
- Soffits/special transitions
- High visibility areas
- Combination drywall and acoustical panel or tile ceilings
- Barrel vaults and domes
- Wet installations (stucco/plaster)

### FIRE RESISTANCE RATING

Meets a broad range of UL design assemblies: D501, D502, G523, G524, G526, G527, G528, G529, J502, K504, L502, L508, L513, L515, L525, L526, L529, L564, P501, P506, P507, P508, P509, P510, P513, P514, P516 (XL7936G90 and SP135 are not fire rated).  
NOTE: See UL Directory for details on specific designs.

### MATERIALS

ASTM C635 Heavy-duty main beam classification, ASTM A653 zinc-coated hot dipped galvanized steel. Exposed surfaces chemically cleansed, zinc-coated, and prefinished. Materials conform to the performance standard ASTM C645 (Standard Specification for Rigid Furring Channels for Screw Applications of Gypsum Board).

### VISUAL SELECTION

	Item No.	Description	Dimensions	Rout Spacing
Drywall Main Beams – Imperial (Red Numbers are Fire Guard Items)**	HD8906 HD8906HRC HD8906G90 HD8906IIC	1-1/2"	12' HD Drywall Main Beam (For Type F Light Fixtures)	144 x 1-1/2 x 1-11/16"
	HD890610	1-1/2"	10' HD Drywall Main Beam (For Type F Light Fixtures)	120 x 1-1/2 x 1-11/16"
	SP135	1-1/2"	135" HD Stucco Main Beam G90	135 x 1-1/2 x 1-11/16"
Drywall Main Beams – Metric	HD7940	43mm	3600mm HD Drywall Main Beam	3600 x 38 x 42.8mm
	7940G	43mm	3600mm HD Drywall Main Beam	3600 x 38 x 35mm

	Item No.	Description	Dimensions	Rout Spacing
Drywall Cross Tees – Imperial (Red Numbers are Fire Guard Items)**	XL8965 XL8965HRC	1-1/2"	6" Drywall Cross Tee	72 x 1-1/2 x 1-1/2"
	XL8947P XL8947PG90	1-1/2"	50" Drywall Cross Tee	50 x 1-1/2 x 1-1/2"
	XL8945P XL8945PHRC XL8945PG90	1-1/2"	4" Drywall Cross Tee	48 x 1-1/2 x 1-1/2"
	XL8940	1-1/2"	40" Drywall Cross Tee	40 x 1-1/2 x 1-1/2"
	XL7936G90	1-1/2"	3" Drywall Cross Tee	36 x 1-1/2 x 1-1/2"
	XL8926	1-1/2"	2" Drywall Cross Tee	24 x 1-1/2 x 1-1/2"
Drywall Cross Tees – Metric	XL7961	38mm	1600mm Drywall Cross Tee (6")	1600 x 38 x 36mm
	XL7930	38mm	1200mm Drywall Cross Tee (4")	1200 x 38 x 38mm
	XL7925	38mm	900mm Drywall Cross Tee (3")	900 x 38 x 38mm
	XL7920	38mm	600mm Drywall Cross Tee (2")	600 x 38 x 38mm

HANGER SPACING (LBS./LIN. FT.)					
L/240 2 Ft.	L/240 3 Ft.	L/240 4 Ft.	L/360 2 Ft.	L/360 3 Ft.	L/360 4 Ft.
143.0	57.3	28.14	95.5	43.19	18.66
143.0	57.3	28.14	95.5	43.19	18.66
139.85	52.59	28.71	–	43.19	18.66
150.0	68.3	29.34	100.0	45.35	19.56
114.0	51.92	22.40	76.39	34.61	14.93

LOAD TOTAL DATA (LBS./LIN. FT.)		LOAD TOTAL DATA (KG./LIN. M.)	
L/240	L/360	L/240	L/360
6.87 @ 6'	4.58 @ 6'		
19.5 @ 50"	12.79 @ 50"		
22.5 @ 4'	14.27 @ 4'		
36.22 @ 40"	24.15 @ 40"		
50.0 @ 3'	31.33 @ 3'		
158.0 @ 2'	90.25 @ 2'		
10.25 @ 6'	6.84 @ 6'	15.15 @ 1600mm	10.18 @ 1600mm
22.4 @ 4'	14.93 @ 4'	33.33 @ 1200mm	22.22 @ 1200mm
51.92 @ 3'	34.61 @ 3'	77.26 @ 900mm	51.51 @ 900mm
114.59 @ 2'	76.39 @ 2'	170.52 @ 600mm	113.68 @ 600mm

\* NOTE: All load test data based on flat installation per ASTM C635.  
\*\* For fire-rated assemblies, use Type C gypsum board as noted in the UL® fire-rated assembly designs.  
† Type F fixture compatible

ASTM Class  
HD - Heavy-duty  
ID - Intermediate-duty  
LD - Light-duty

# DRYWALL/STUCCO/PLASTER – Flat Ceilings

## Suspension Systems



**LEED® WELL™ | LBC**

UP TO **61% RECYCLED CONTENT**

energy management  
construction waste mgmt  
regional materials  
design for flexibility  
EPD  
recyclable/ biobased materials  
recycled content  
sourcing of raw materials  
material ingredient reporting  
low emitting materials  
lighting quality  
acoustics

Calculate sustainability with GreenGenie™  
armstrongceilings.com/greengenie

LOCATION DEPENDENT

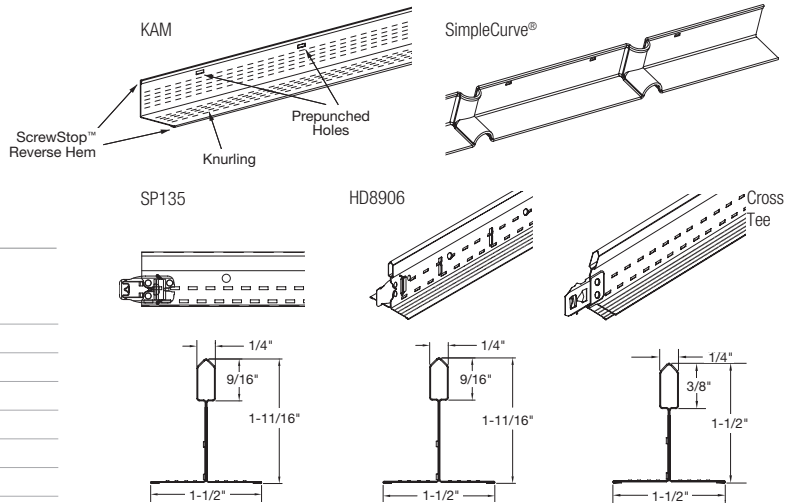
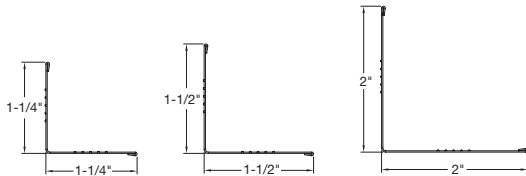
Well Building Standard™ (WELL)  
Living Building Challenge® (LBC)

### VISUAL SELECTION

### PACKAGING

Item No.	Face Flange	Description	Dimensions	Packaging Pcs.	Lin. Ft.
<b>Moldings</b>					
<b>7858</b>	15/16"	12" Reverse angle molding	144 x 1-9/16 x 15/16"	20	240
<b>LAM12</b>	1-1/4"	12" Nominal locking angle molding, locking tabs 8" O.C, starting 4" from each end	144 x 1-1/4 x 1-1/4"	10	240
<b>LAM12HRC</b>	1-1/4"	12" Nominal locking angle molding, locking tabs 8" O.C, starting 4" from each end	144 x 1-1/4 x 1-1/4"	10	240
<b>LAM151220E</b>	1-1/2"	12" Locking Angle Molding, locking tabs 8" O.C. 22 Gauge (.028" metal thickness)	144 x 1-1/2 x 1-1/2"	10	120
<b>KAM10</b>	1-1/4"	10" Knurled Angle Molding – (.018 metal thickness)	120 x 1-1/4 x 1-1/4"	10	100
<b>KAM12</b>	1-1/4"	12" Knurled Angle Molding – (.018 metal thickness)	144 x 1-1/4 x 1-1/4"	10	120
<b>KAM12G90</b>	1-1/4"	12" Knurled Angle Molding – G90 galvanized steel coating (.018 metal thickness)	144 x 1-1/4 x 1-1/4"	10	120
<b>KAM12HRC</b>	1-1/4"	12" Knurled Angle Molding – High Recycled Content (.018 metal thickness)	144 x 1-1/4 x 1-1/4"	10	120
<b>KAM1510</b>	1-1/2"	10" Knurled Angle Molding – (.018 metal thickness)	120 x 1-1/2 x 1-1/2"	10	100
<b>KAM1512</b>	1-1/2"	12" Knurled Angle Molding – (.018 metal thickness)	144 x 1-1/2 x 1-1/2"	10	120
<b>KAM151020E</b>	1-1/2"	10" Knurled Angle Molding – (.028 metal thickness)	120 x 1-1/2 x 1-1/2"	10	100
<b>KAM151220E</b>	1-1/2"	12" Knurled Angle Molding – (.028 metal thickness)	144 x 1-1/2 x 1-1/2"	10	120
<b>KAM151020</b>	1-1/2"	10" Knurled Angle Molding – (.033 metal thickness)	120 x 1-1/2 x 1-1/2"	10	100
<b>KAM151020G90</b>	1-1/2"	10" Knurled Angle Molding – G90 galvanized steel coating (.033 metal thickness)	120 x 1-1/2 x 1-1/2"	10	100
<b>KAM21025</b>	2"	10" Knurled Angle Molding – (.018 metal thickness)	120 x 2 x 2"	10	100
<b>KAM21020EQ</b>	2"	10" Knurled Angle Molding – (.028 metal thickness)	120 x 2 x 2"	10	100
<b>KAM21020</b>	2"	10" Knurled Angle Molding – (.033 metal thickness)	120 x 2 x 2"	10	100
<b>SC151220EQ</b>	1-1/2"	12" x 1.5" SimpleCurve® Knurled Angle Molding – (.028" metal thickness)	148 x 1-1/2 x 1-1/2"	10	124
<b>SC151225</b>	1-1/2"	12" x 1.5" SimpleCurve® Knurled Angle Molding – (.018" metal thickness)	148 x 1-1/2 x 1-1/2"	10	124
<b>SC21220EQ</b>	2"	12" x 2" SimpleCurve® Knurled Angle Molding – (.028" metal thickness)	148 x 2 x 2"	10	124
<b>SC21225</b>	2"	12" x 2" SimpleCurve® Knurled Angle Molding – (.018" metal thickness)	148 x 2 x 2"	10	124

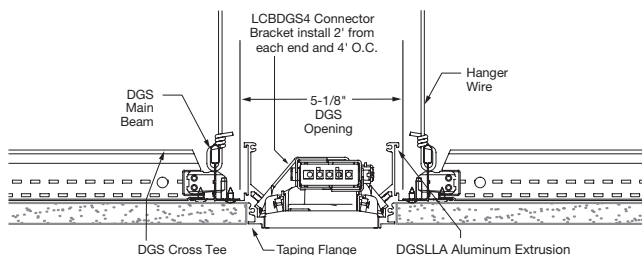
NOTE: .018" metal thickness meets ASTM C645 for framing



### DRYWALL LINEAR LIGHTING

Item No.	Description	Fixture Length
<b>DGSLTK24</b>	2' Linear Light Trim Kit	24" x 4"
<b>DGSLTK30</b>	2' – 6" Linear Light Trim Kit	30" x 4"
<b>DGSLTK48</b>	4' Linear Light Trim Kit	48" x 4"
<b>DGSLTK60</b>	5' Linear Light Trim Kit	60" x 4"
<b>DGSLTK72</b>	6' Linear Light Trim Kit	72" x 4"
<b>DGSLTK90</b>	7' – 6" Linear Light Trim Kit	90" x 4"
<b>DGSLTK96</b>	8' Linear Light Trim Kit	96" x 4"
<b>DGSLTK120</b>	10' Linear Light Trim Kit	120" x 4"
<b>DGSLTKCON</b>	10' Continuous Linear Light Trim Kit	10'

NOTE: Linear Light Trim Kits designed to work with 5/8" drywall



### SEISMIC PERFORMANCE

Main Beams	Minimum Lbs. To Pull Out Compression/Tension
HD8906/HD890610 / HD8906HRC	332.3
HD8906IIC	332.3
XL7918, XL8926, XL8925, XL7936G90, XL8945PHRC, XL8945P, XL8947P, XL8965HRC	380.1

### ICC REPORTS

For areas under ICC jurisdiction, see ICC evaluation report number ESR-1289 for allowable values and/or conditions of use concerning the suspension system components listed on this page. The report is subject to reexamination, revisions, and possible cancellation.

For fixture weight and UL listings, see Drywall Grid Systems for Flat Applications Technical Guide BPCS-3539.