

AXIOM® Light Covers – Direct

Trim



SUSTAIN™
High Performance
Sustainable
Ceiling Systems



▲ Axiom® – Direct Light Cover

Axiom extruded aluminum light covers offer ultra low plenum clearance, predictable lighting performance, and perfect integration with all Armstrong® suspension systems.

KEY SELECTION ATTRIBUTES

- Pre-engineered, extruded aluminum light cover profiles with integrated XAL LENO light fixture or Axis Click
- CleanAssure™ family of products – includes disinfectable panels, suspension systems, and trim
- Axiom Direct Light Covers is part of the Sustain™ portfolio and meets the most stringent industry sustainability compliance standards today
- Low profile design with plug and play lighting for easy installation in shallow plenum corridors and entry areas
- 10-Year Limited Warranty, 30-Year System Warranty

TYPICAL APPLICATIONS

- Offices
- Retail
- Hospitality
- Healthcare

COLORS

Due to printing limitations, shade may vary from actual product.



White
(WH)

Custom Colors
Available*

* Colors that are pre-qualified to meet Sustain™ portfolio requirements are available upon request. Other made-to-order colors must be evaluated if sustainability criteria is required. Lead time will increase.

LIGHTING FIXTURES

Compatible with:

Axis Lighting and XAL Leno Luminaire



VISUAL SELECTION

	Item No.	Description	Dimensions		
Axiom® Direct Light Covers for Acoustical Ceilings	AXDLC46	4" x 6" Direct Light Cover	120 x 4-1/2 x 6"		
	AXDLC44	4" x 4" Direct Light Cover	120 x 4-1/2 x 4"		
Axiom® Direct Light Covers for Drywall Ceilings	AXDLC46D	Axiom Direct Light Cover for Drywall 4" x 6"	120 x 4-1/2 x 6"		
	AXDLC44D	Axiom Direct Light Cover for Drywall 4" x 4"	120 x 4-1/2 x 4"		
Axiom® Direct Light Covers for ACOUSTIBuilt	AXDLC46ACB	Axiom Direct Light Cover for ACOUSTIBuilt 4" x 6"	120 x 4-1/2 x 6"		
	AXDLC44ACB	Axiom Direct Light Cover for ACOUSTIBuilt 4" x 4"	120 x 4-1/2 x 4"		

Direct Light Covers: Aluminum extrusions formed with distinct architectural detail groove on bottom flange with special bosses to receive the T-Bar Connection Clip, Hanging Clip, and Splice Plate, provides positive mechanical lock with no visible fasteners. Factory-finished to match approved samples.

AXIOM® Light Covers – Direct Trim



LEED WELL LBC

50% RECYCLED CONTENT

energy management construction waste mgmt regional materials design for flexibility EPD recyclable/producer resp. biobased materials recycled content sourcing of raw materials material ingredient reporting low emitting materials lighting quality acoustics

Calculate sustainability with GreenGenie™ armstrongceilings.com/greengenie

LOCATION DEPENDENT

ACCESSORIES

Item No.	Description	
AXBTSTR	Axiom® Bottom Drywall Trim – Straight for 5/8" Drywall	
AX2HGC	Hanging Clip – Hanging Clip: Sheet steel formed to fit into special trim channel bosses and provide positive mechanical lock, screw-fastened connection to suspension members which intersect below the trim channel.	
AXTBC	T-Bar Connection Clip – T-Bar Connection Clip: Galvanized sheet steel formed to fit into special trim channel bosses and provide positive mechanical lock with factory-installed screw, screw-fastened connection to suspension members which intersect the trim channel.	
AX4SPICE	Axiom Splice Plate – Splice Plate: Galvanized sheet steel formed to fit into the trim channel bosses and provide positive lock between abutting channels with factory-installed setscrews.	
AXPWCCP2	Axiom Wall Clip – 2 x 2 x 1-1/2"	

END CAPS

Item No.	Description	
AXPDL46ECR	4" x 6" – Light Cove End Cap - Right	
AXPDL46ECL	4" x 6" – Light Cove End Cap - Left	
AXPDL44ECR	4" x 4" – Light Cove End Cap - Right	
AXPDL44ECL	4" x 4" – Light Cove End Cap - Left	
AX-SPT-HDC	Trim/Light Fixture Hold-Down Clip	
AXDLC44DEC	AXIOM 4" X 4" Direct Light Cove for 5/8" Drywall End Cap	
AXDLC46DEC	AXIOM 4" X 6" Direct Light Cove for 5/8" Drywall End Cap	
AXDLC44ACBEC	AXIOM 4" X 4" Direct Light Cove for ACOUSTIBuilt End Cap	
AXDLC46ACBEC	AXIOM 4" X 6" Direct Light Cove for ACOUSTIBuilt End Cap	



AXIOM® Light Covers – Direct Trim



LEED WELL | LBC

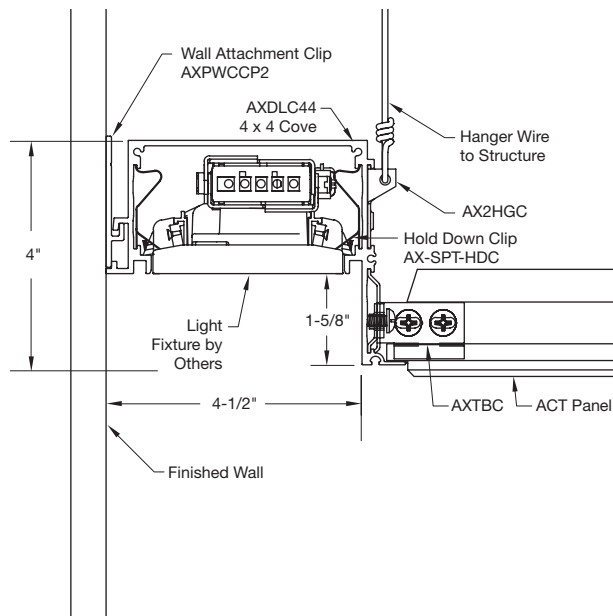
50% RECYCLED CONTENT

- energy management
- construction waste mgmt
- regional materials
- design for flexibility
- EPD
- recyclable/extended producer resp.
- biobased materials
- recycled content
- sourcing of raw materials
- material ingredient reporting
- low emitting materials
- lighting quality
- acoustics

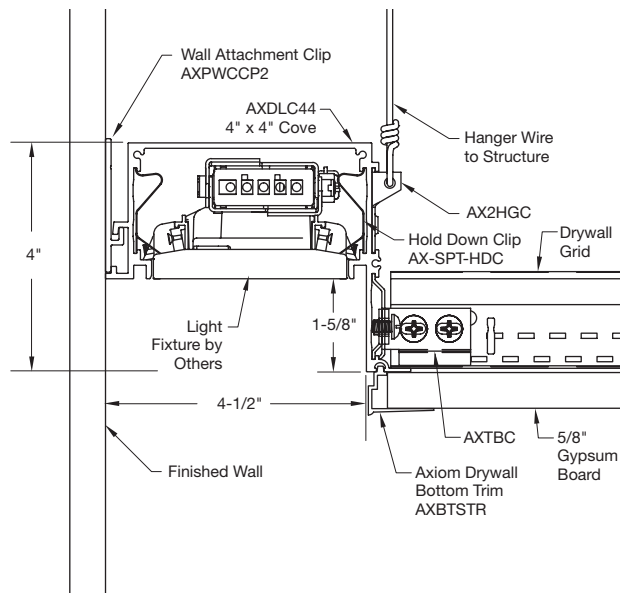
Calculate sustainability with GreenGenie™
armstrongceilings.com/greengenie

LOCATION DEPENDENT

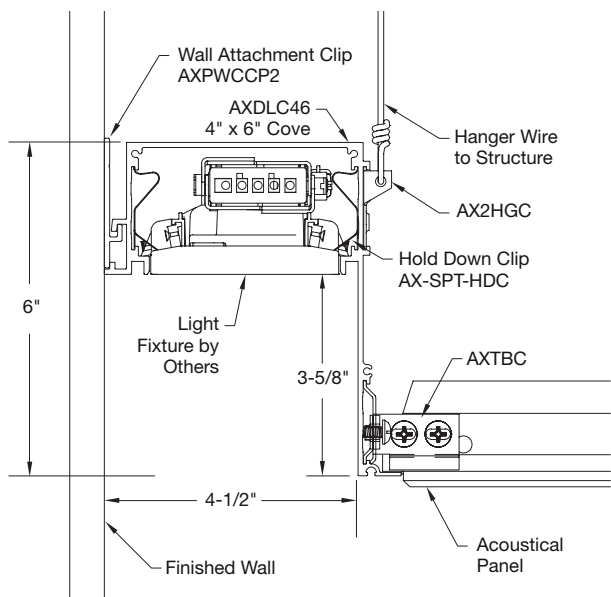
COMPATIBLE SPECIALTY CEILINGS



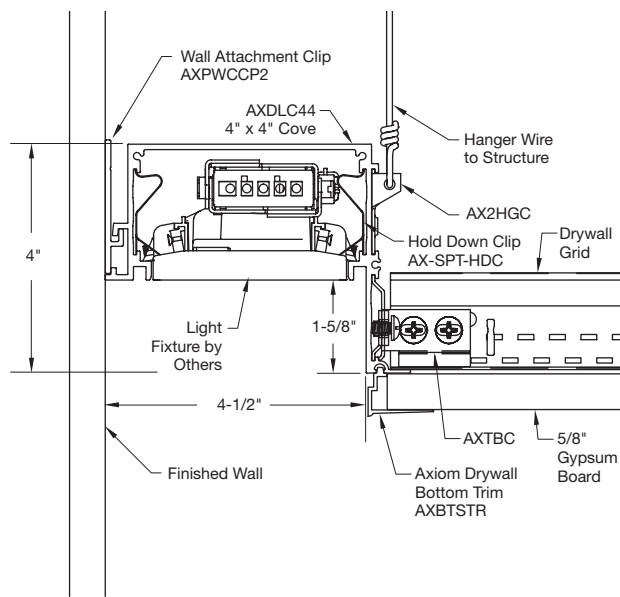
4" x 4" Direct Light Cove – AXDLC44ACB



4" x 4" Direct Light Cove – AXDLC44D



4" x 6" Direct Light Cove – AXDLC46ACB



4" x 6" Direct Light Cove – AXDLC46D



TRIM & TRANSITIONS – Standard

AXIOM® Light Covers – Direct Trim



LEED® WELL™ | LBC

50% RECYCLED CONTENT

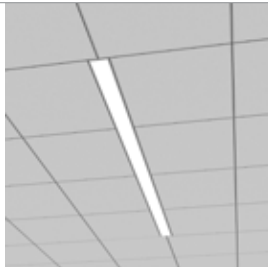
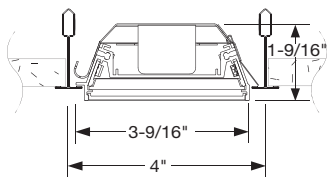
Calculate sustainability with GreenGenie™ armstrongceilings.com/greengenie

energy management	construction waste mgmt	regional materials	design for flexibility	EPD	recyclable/producer resp.	biobased materials	recycled content	sourcing of raw materials	material ingredient reporting	low emitting materials	lighting quality	acoustics
✓	✓	✓	✓				✓	✓				

LOCATION DEPENDENT

COMPATIBLE LIGHT FIXTURES

Lighting and diffuser solutions are available through partner companies

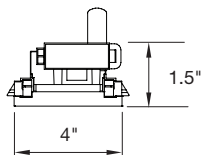
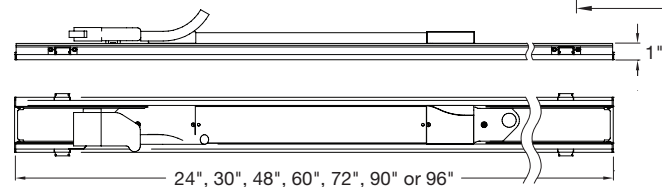


Connect-Insert-Click – shallow linear system that installs from below:

- 1-3/4" shallow housing – same height as T-Bar
- Install and maintain from below with no need for access from above
- Can be installed after ceiling has been closed
- Ultra-thin lightguide technology delivering comfortable, uniform illumination along entire lens
- Seismic-tested and approved luminaire
- Hinged driver cover with full driver and wiring access

For compatible lighting details, visit axislighting.com

Lighting and diffuser solutions are available through partner companies



The new ultra thin XAL LENO Zero Plenum luminaire installs from below and features:

- High output, energy efficient LED lighting for any space
- High performance opal cover for uniform illumination and enhanced glare control
- Extruded aluminum fixture design
- White powder coated finish
- Integrated plug and play electrical connections
- Choice of light outputs to achieve any desired light level
- Dimming options available

For compatible lighting details, visit XALUSA.com

PHYSICAL DATA

Material
Commercial quality extruded aluminum alloy 6063

Surface Finish
Factory-applied baked polyester paint finish

Warranty
10-Year Limited Warranty; 30-Year System Warranty

Profile
4" x 4" and 4" x 6" Light Cove with 3/4" horizontal flange

Cross Tee/Main Beam Interface
Flush Fit

End Detail
Splice with screws

Cleaning & Disinfecting
Cleaning and CDC approved disinfecting options available on armstrongceilings.com/cleaning

ICC Reports
For areas under ICC jurisdiction, see evaluation report numbers ESR-1289 and ESR-1308 for allowable values and/or conditions of use concerning the suspension system components listed on this page. The reports are subject to reexamination, revisions, and possible cancellation.

