



GENERAL CONTRACTORS LOOKING FOR CEILING CONSTRUCTION EFFICIENCIES?

Our Integrated Solutions Experts offer a unique pre-construction service to help you leverage and create real advantages in ceiling construction. This expertise and total ceiling solutions approach closes the gap between design intent and your construction.

WE'LL COME ALONGSIDE YOU WITH:

- Pre-construction design services
- RCP review to identify time- and cost-saving opportunities
- Details of efficient integrated solutions
- Conflict resolution with various trades
- Specification support
- Ceiling cost estimates and budgets
- Installation details and training support

AREAS OF EXPERTISE

- ▶ **BUDGET**
Keeping your project on budget
- ▶ **SCHEDULE**
Utilizing proven pre-fabricated/
modular products to accelerate
your construction schedule
- ▶ **INNOVATION**
Providing you faster ways to
control quality and cost through
innovative solutions
- ▶ **SAFETY**
Fabricating offsite lowers your
safety risks and reduces labor

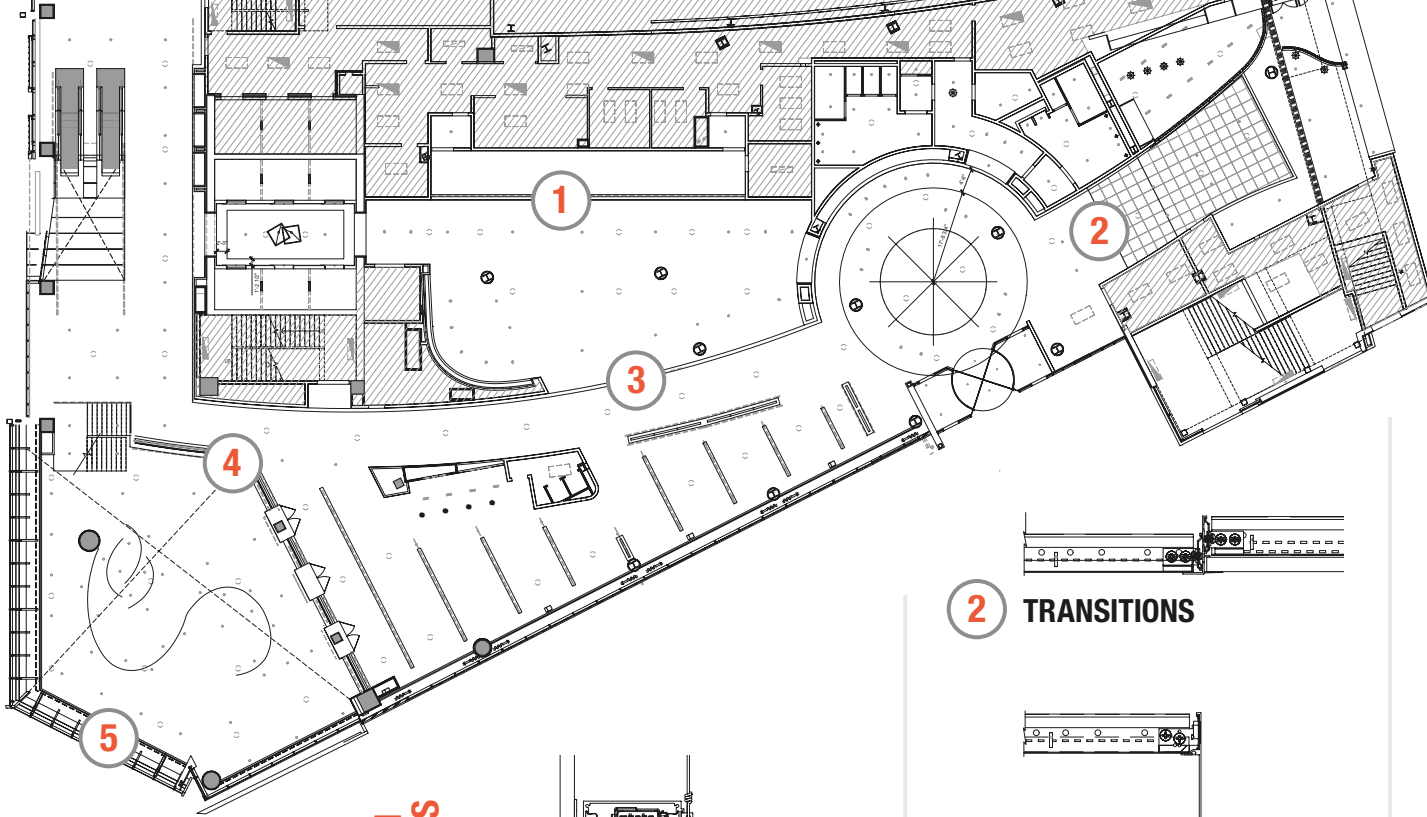
CONNECT WITH
A GC EXPERT:
kmackillop@armstrongceilings.com

INTEGRATED CEILING SYSTEM SOLUTIONS

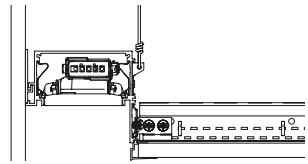
AT YOUR SERVICE

RCP
REVIEW

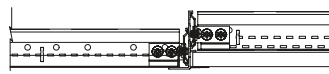
DETAIL
SOLUTION
DRAWINGS



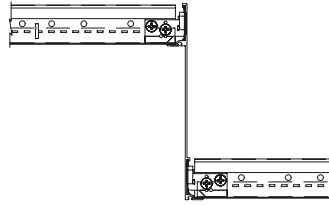
1 INTEGRATED SOLUTIONS



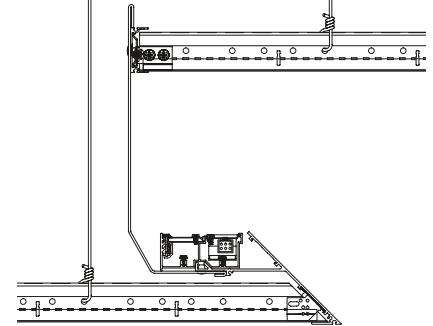
2 TRANSITIONS



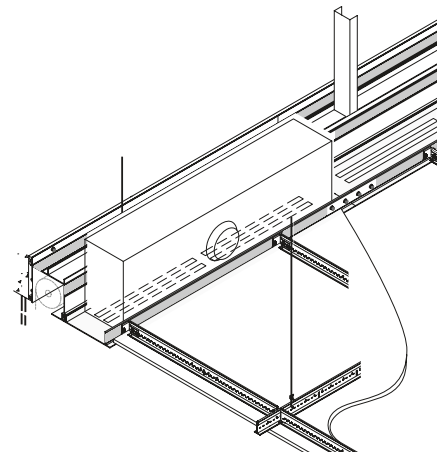
3 ELEVATION TRANSITIONS



4 LIGHT COVERS



5 PERIMETER SOLUTIONS



TIME, LABOR, MATERIAL, COST SAVING SOLUTIONS

WORK SMARTER

Contact your GC Expert at: kmackillop@armstrongceilings.com



All trademarks used herein are the property of AWI Licensing LLC and/or its affiliates © 2021 AWI Licensing LLC

BPCS-6677-1121