



**TECHNICAL GUIDE**



**A FRAMEALL™  
DRYWALL GRID  
SOLUTION**

**DRYWALL GRID SYSTEM**  
**SIMPLESOFFIT®**



**Armstrong®**  
World Industries

## THE FASTER, EASIER, BETTER WAY TO BUILD SOFFITS

Armstrong® SimpleSoffit® Drywall Framing System is a pre-fabricated soffit frame that saves time, material, and labor on the jobsite.

This soffit frame solution installs faster than traditional methods, which helps you complete jobs under cost and ahead of schedule.

It is manufactured to meet or exceed ASTM standards and code requirements and is engineered to provide economical alternatives to stud and track construction.

Pre-engineered solutions are available for light coves, curved soffits, perimeter pockets, Z-soffits and more. This makes SimpleSoffit the perfect solution for any soffit application.

# BEND, CLICK, DONE



## CODE COMPLIANCE YOU CAN TRUST

- Meets:
- ASTM A653
  - ASTM A1003
  - ASTM C1925
  - ASTM C645
  - ASTM C840
  - ASTM C754
- ICC Evaluation Report Number ESR-1289
  - Division of the State Architect DSA IR 25-2 and DSA IR 25-3
  - City of LA – RR 25348
- Consult local codes for specific requirements
  - ASTM E3118 Seismic Shake Table testing for Ceilings

## SIMPLESOFFIT PERFORMANCE

- Hang 2', 4', or 6' O.C.
- Fold and click out of the box
- No jig time or fabrication required
- Aligns with construction industry dynamics:
  - Enhanced safety
  - Reduced need for skilled labor
  - Transition from stick-build to pre-fab/off-site construction





SimpleSoffit Framing System

## TABLE OF CONTENTS

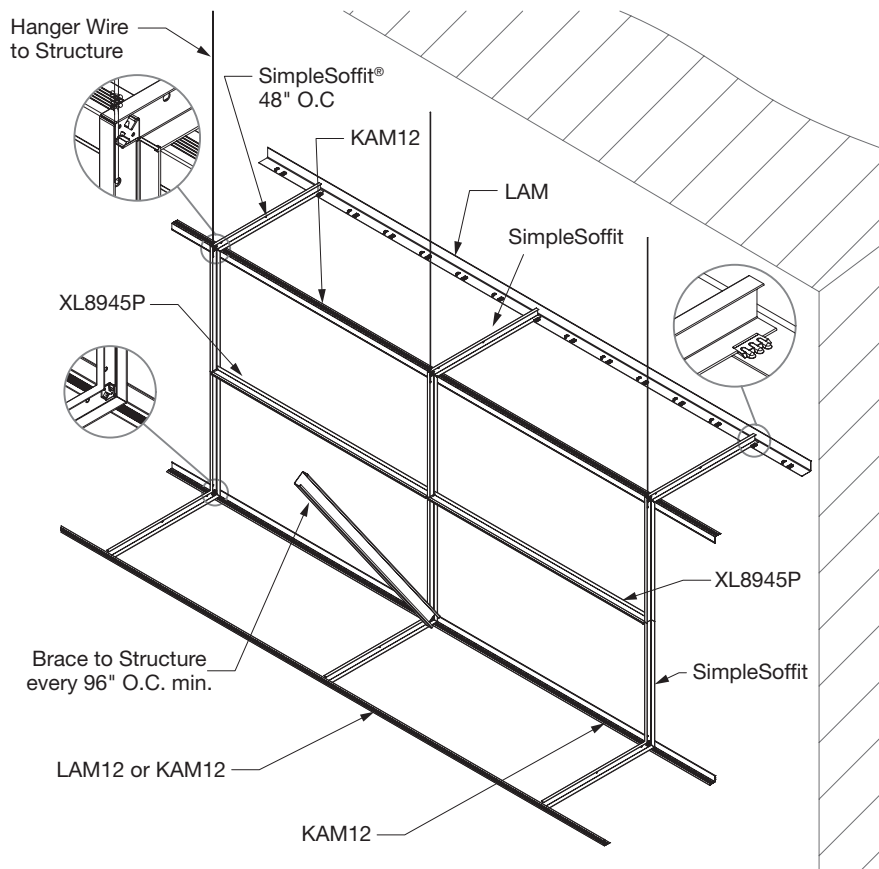
2	Code Compliance
2-3	Performance
4	Components
5-6	Moldings/Transition Moldings
7-8	Axiom® Trim
9	Axiom Building Perimeter System
10-11	Rout Locations
12-13	Accessories
14	System Framing
15	Type F Fixtures
16-18	Suspended Drywall Grid System
19	Wire Loading
20	Trapeze Supported Solutions
21	Multi-Layer Ceilings
22	Exterior Wind Load Data
23-26	UL® Fire Resistive
27	Seismic Installations
28	Load Data
29	Basic Products
30	Sound Control
31-32	Assemblies
33	Estimating

## DRYWALL GRID SYSTEMS PERFORMANCE

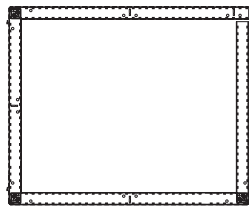
- G40, 0.018" metal thickness meets ASTM C645
- G90 hot dipped galvanized coating available for interior high moisture areas
- ScrewStop™ reverse hem prevents screw spin off
- Rotary stitching on double web adds strength and stability
- Deep knurled surface for easy screw insertion
- Sourced and manufactured in the USA

# THE SYSTEM

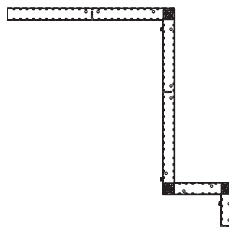
## SIMPLESOFFIT FRAMING SYSTEM



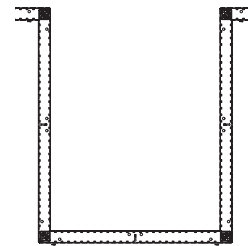
## CUSTOMIZABLE FOR ANY SOFFIT CONDITION



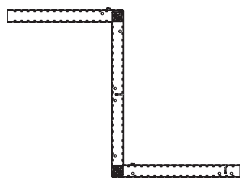
Box Soffit



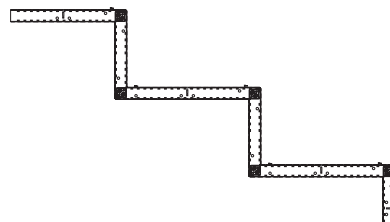
W-Shaped



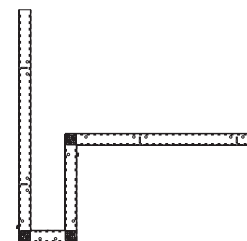
u-Shaped with Return



Z-Shaped



Stepped Shape

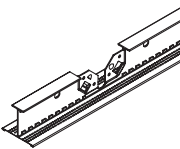






Custom Shaped

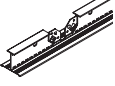
**SIMPLESOFFIT FRAMING SYSTEM**

NOTE: All components are available with G90 hot dipped galvanized coating. Just add G90 suffix to end of Item #.  
Ex: XL8965G90

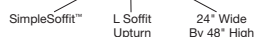
**SIMPLESOFFIT**

Perspective	Item No.	Description	Length	Height	Packaging		Load Test Data (Lbs/LF)					
					Pcs./Ctn	LF/Ctn	L/240		L/360			
							Simple Span	Simple Span	Simple Span	Simple Span		
	SSLU2424	L Soffit Upturn 24 x 24"	48"	1-1/4"	12	48	36"	48"	47.5	20.5	32	13.7
	SSLU4824	L Soffit Upturn 48 x 24"	72"	1-1/4"	12	72	47.5	20.5	47.5	20.5	32	13.7
	SSLU3636	L Soffit Upturn 36 x 36"	72"	1-1/4"	12	72	47.5	20.5	47.5	20.5	32	13.7
	SSLD2424	L Soffit Downturn 24 x 24"	48"	1-1/4"	12	48	47.5	20.5	47.5	20.5	32	13.7
	 SSLU1836	L Soffit Upturn 18 x 36"	54"	1-1/4"	12	54	47.5	20.5	47.5	20.5	32	13.7
	 SSLU1872	L Soffit Upturn 18 x 72"	90"	1-1/4"	12	90	47.5	20.5	47.5	20.5	32	13.7
	 SSU182418	U Soffit 18 x 24 x 18"	58-1/2"	1-1/4"	12	58-1/2	47.5	20.5	47.5	20.5	32	13.7
	 SSU123612	U Soffit 12 x 36 x 12"	58-1/2"	1-1/4"	12	58-1/2	47.5	20.5	47.5	20.5	32	13.7

**Load Total Data  
(Lbs/LF)**

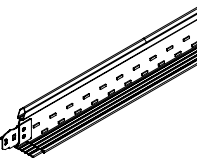
Item No.	Description	Dimensions (inches)	Length	Rout and Notch Spacing	Load Test Data (Lbs/LF)				Packaging		
					36"		48"		Pcs./	Lin. Ft./	
					L/240	L/360	L/240	L/360			
SimpleSoffit® Custom Options	SSLU_ _ _ _	L Soffit Upturn	1-1/2 x 1-1/4"	24 - 144"	Up to 6 routs and 1 notch	47.5	32.0	20.5	13.7	12	48
	SSLD_ _ _ _	L Soffit Downturn	1-1/2 x 1-1/4"	12 - 144"	Up to 6 routs and 1 notch	47.5	32.0	20.5	13.7	12	48
	SSB_ _ _ _	Box Soffit	1-1/2 x 1-1/4"	12 - 144"	Up to 6 routs and 3 notches	47.5	32.0	20.5	13.7	12	48
	SSMS_ _ _ _	Multi-Step Soffit	1-1/2 x 1-1/4"	12 - 144"	Up to 6 routs and 6 notches	47.5	32.0	20.5	13.7	12	48

**EXAMPLE: SS LU 2448**



Choose your soffit type - L Upturn, L Downturn, Box, Multi Step. Custom options available, contact your local Armstrong sales rep for questions or a quote for custom applications.

**FRAMEAL™ DRYWALL GRID CROSS TEES**

Perspective	Item No.	Length	Height	Pcs./Ctn	LF/ Ctn	Load Test Data (Lbs/LF)	
						L/240	L/360
						Simple Span	Simple Span
	XL8965	72"	1-1/2"	36	216	72"	72"
	XL8965HRC					6.87 @ 72"	4.58 @ 72"
	XL8965G90						
	XL8947P	50"	1-1/2"	36	150	72"	72"
	XL8947PG90					19.5 @ 50"	12.79 @ 50"
	XL8945P	48"	1-1/2"	36	144	72"	72"
	XL8945HRC					22.5 @ 48"	14.27 @ 48"
	XL8945PG90						
	XL8940	40"	1-1/2"	36	119	72"	72"
	XL7936G90*	36"	1-1/2"	36	108	72"	72"
XL8926	24"	1-1/2"	36	78	72"	72"	
XL8926G90					36.22 @ 40"	24.15 @ 40"	
					45.7 @ 36"	31.33 @ 36"	
					119.0 @ 24"	90.25 @ 24"	

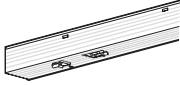
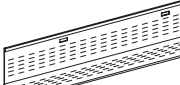

Red Numbers are Fire Guard items. For fire-rated assemblies, use Type C gypsum board as noted in the UL\* fire-rated assembly designs.  
NOTE: All load test data based on flat installation per ASTM C635.

\*Indicates items that are not Type F Fixture compatible

# COMPONENTS

## SIMPLESOFFIT FRAMING SYSTEM

### MOLDINGS

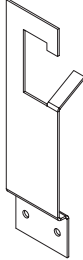
					Packaging		
	Face Flange	Item No.	Description	Dimensions (Inches)	Pcs./Ctn	Lin. Ft./Ctn	
	15/16"	7858	12' Reverse Angle Molding - (.018" metal thickness)	144 x 1-9/16 x 15/16"	20	240	
	1-1/4"	LAM12	12' Nominal Locking Angle Molding, Locking Tabs 8" O.C., starting 4" from each end - (.018" metal thickness)	144 x 1-1/4 x 1-1/4"	10	240	
		LAM12HRC	12' Nominal Locking Angle Molding, Locking Tabs 8" O.C., starting 4" from each end - (.018" metal thickness)	144 x 1-1/4 x 1-1/4"	10	240	
	1-1/2"	KAM10	10' Knurled Angle Molding - (.018" metal thickness)	120 x 1-1/4 x 1-1/4"	10	100	
		KAM12	12' Knurled Angle Molding - (.018" metal thickness)	144 x 1-1/4 x 1-1/4"	10	120	
		KAM12G90	12' Knurled Angle Molding - G90 galvanized steel coating (.018" metal thickness)	144 x 1-1/4 x 1-1/4"	10	120	
		KAM1510	10' Knurled Angle Molding - (.018" metal thickness)	120 x 1-1/2 x 1-1/2"	10	100	
		KAM1512	12' Knurled Angle Molding - (.018" metal thickness)	144 x 1-1/2 x 1-1/2"	10	120	
		KAM151020E	10' Knurled Angle Molding - (.028" metal thickness)	120 x 1-1/2 x 1-1/2"	10	100	
		KAM151020	10' Knurled Angle Molding - (.033" metal thickness)	120 x 1-1/2 x 1-1/2"	10	100	
		KAM151220E	12' Knurled Angle Molding - (.028" metal thickness)	144 x 1-1/2 x 1-1/2"	10	100	
		KAM1525G90	10' Knurled Angle Molding - (.018" Metal Thickness)	120 x 1-1/2" x 1-1/2"	10	100	
		KAM1520G90	10' Knurled Angle Molding - (.033" Metal Thickness)	120 x 1-1/2" x 1-1/2"	10	100	
		2"	KAM21025	10' Knurled Angle Molding - (.018" metal thickness)	120 x 2 x 2"	10	100
			KAM21020EQ	10' Knurled Angle Molding - (.028" metal thickness)	120 x 2 x 2"	10	100
	KAM21020		10' Knurled Angle Molding - (.033" metal thickness)	120 x 2 x 2"	10	100	
	1-1/2"	SC151220EQ	12' x 1.5" SimpleCurve® Knurled Angle Molding - (.028" metal thickness)	148 x 1-1/2 x 1-1/2"	10	124	
		SC151225	12' x 1.5" SimpleCurve Knurled Angle Molding - (.018" metal thickness)	148 x 1-1/2 x 1-1/2"	10	124	
	2"	SC21220EQ	12' x 2" SimpleCurve Knurled Angle Molding - (.028" metal thickness)	148 x 2 x 2"	10	124	
		SC21225	12' x 2" SimpleCurve Knurled Angle Molding - (.018" metal thickness)	148 x 2 x 2"	10	124	

NOTE: Please see page 9 for more information about Knurled Angle Molding (KAM).

### STRONGBACK™ SUPPORT HANGER

	SB12P SB12PG90	StrongBack	144 x 2"	12	144
--	-------------------	------------	----------	----	-----

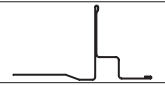
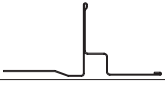
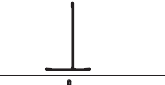


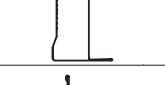





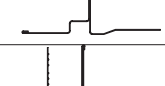


### CHANNEL BEAM SUPPORT (CBS) HANGER\*

	CBS4SS	4" Channel Beam Support Hanger for SimpleSoffit®	-	50	-
	CBS6SS	6" Channel Beam Support Hanger for SimpleSoffit	-	50	-
	CBS8SS	8" Channel Beam Support Hanger for SimpleSoffit	-	50	-
	CBS10SS	10" Channel Beam Support Hanger for SimpleSoffit	-	50	-
	CBS12SS	12" Channel Beam Support Hanger for SimpleSoffit	-	50	-

DRYWALL TRANSITION MOLDING

Transitions can be found on nearly every project. We've created pre-engineered solutions for these and other common conditions to make installation easier and to provide a finished look that is consistent and reliable.

Material: Commercial-quality cold-rolled hot-dipped galvanized steel

Item No.	Length/Item Description	Face Dimension	Flange	Total Width	
7901	120" Shadow Reveal Molding	3/8" shadow reveal	9/16"	1-1/4"	
7902	120" Shadow Reveal Molding	3/8" shadow reveal	15/16"	1-1/4"	
7903	120" Inverted T Molding	1" inverted T	-	1-1/2"	
7904 7904PF*	120" Flush Transition Molding	15/16" horizontal	15/16"	1-1/4"	
7905 7905PF*	120" Flush Transition Molding	9/16" horizontal	9/16"	1-1/4"	
7906	120" F Molding	120" vertical transition	1/2"	1-7/16"	
7907	120" Tegular Transition Molding	9/16" horizontal	9/16"	1-1/4"	
7908	120" Tegular Transition Molding	15/16" horizontal	15/16"	1-1/4"	
7909	15/16" 1" Step Transition Molding	15/16" horizontal	15/16"	1-7/8"	
7910	9/16" 1" Step Transition Molding	9/16" horizontal	9/16"	1-7/8"	
7911	9/16" Shadow Reveal Transition Molding	3/8" x 1/4" shadow reveal	9/16"	1-1/8"	
7912	15/16" Shadow Reveal Transition Molding	3/8" x 1/4" shadow reveal	15/16"	1-1/4"	
7913	120" F Vertical Transition Molding	9/16" horizontal	9/16"	1-1/2"	
7914	120" F Vertical Transition Molding	15/16" horizontal	15/16"	1-1/2"	

\* 7904PF and 7905PF feature protective film on the acoustical wall angle flange for faster, easier finishing.

## SYSTEM OVERVIEW & BENEFITS

### SIMPLESOFFIT® FRAMING SYSTEM

#### THE BEST CHOICE FOR DRYWALL SOFFIT FRAMING

**Reduce Labor Cost:** Reduce time and labor associated with cutting and measuring, just click and go

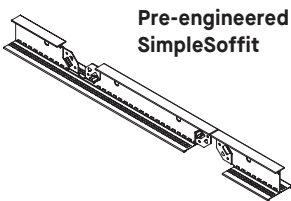
**Reduce Waste:** Eliminate the jig and fabrication time

**Reduce Risk:** System was evaluated using full scale seismic testing. For official test reports, please contact TechLine at 877 276-7876

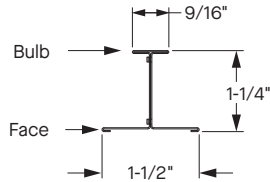
**Customized Solution:** Standard and custom length options. Contact your local Armstrong sales rep for questions or a quote for custom applications

#### SIMPLESOFFIT IS PRE-ENGINEERED FOR FASTER, EASIER, AND BETTER INSTALLATION

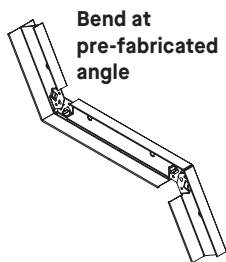
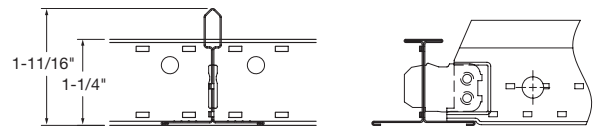
- Pre-engineered custom drywall grid main beam
- Eliminate jig and fabrication time
- Ready out of the box
- Click and go installation
- Reduce man hours required on the job
- 1-1/2" wide face exceeds the minimum industry standard
- ScrewStop™ reverse hem prevents screw spin-off
- Balanced profile stays flat during installation
- Rotary stitching on double web adds strength and stability
- Deep knurled surface for easy screw insertion
- G40, .018" metal thickness meets ASTM C645
- Integrates with standard DGS cross tees



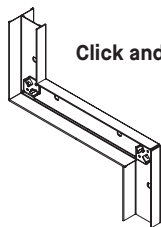
Pre-engineered SimpleSoffit



Integrates with FrameAll™ Drywall Grid Cross Tees

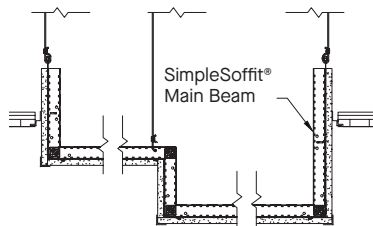


Bend at pre-fabricated angle

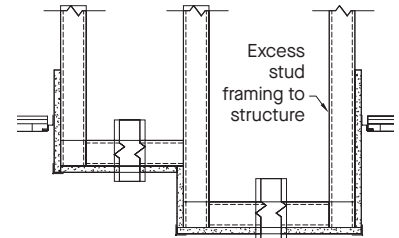


Click and done

#### SimpleSoffit Drywall Framing System



SimpleSoffit® Main Beam



Excess stud framing to structure

#### LESS MATERIAL THAN TRADITIONAL SOFFIT FRAMING

- Reduce clean up and waste at jobsite
- Promotes jobsite safety by reducing the number of installers and material required on the job
- Eliminate jig and fabrication time



Traditional Soffit Framing (left) vs. SimpleSoffit Framing (right)

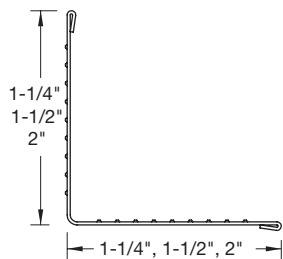


**MORE INSTALLATION BENEFITS IN ENHANCED DRYWALL FRAMING SYSTEM WALL ANGLE**

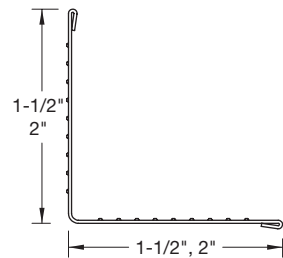
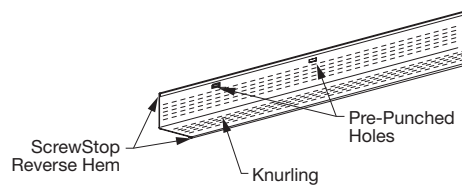
Knurled Angle Molding (KAM) for drywall framing has the time-saving advantages of knurling, ScrewStop™, pre-punched holes, and no cartons to throw away.

<b>Knurling:</b>	Helps the screws to grab quickly.
<b>ScrewStop:</b>	Reverse hem on the top and bottom flanges catches the screw, preventing it from slipping off the wall angle – no sharp edges on the top or bottom of the angle.
<b>Pre-punched Holes:</b>	Located every 4" on the top edge to allow for faster insertion of the screws.
<b>No Carton Packaging:</b>	Eliminate time needed to open and throw away cartons. Just cut the plastic strap and go.

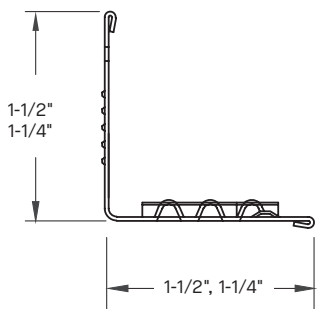
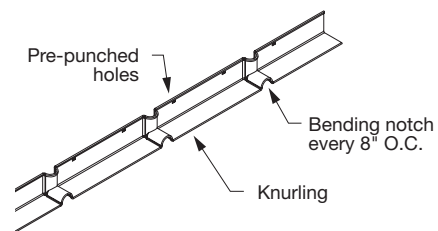
- Meets ASTM C645 code and gauge specification
- Available in 10-piece bundles in 10' and 12'
- Straighter, Stronger, Safer runs
- Space your soffits framing 4' O.C. with no overlapping and no scrap
- Locking Angle Molding (LAM) product available
- SimpleCurve® Angle Molding product available for curved conditions



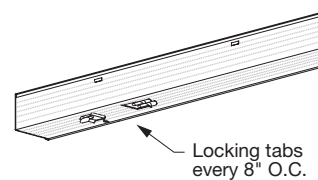
**KAM – Knurled Angle Molding**



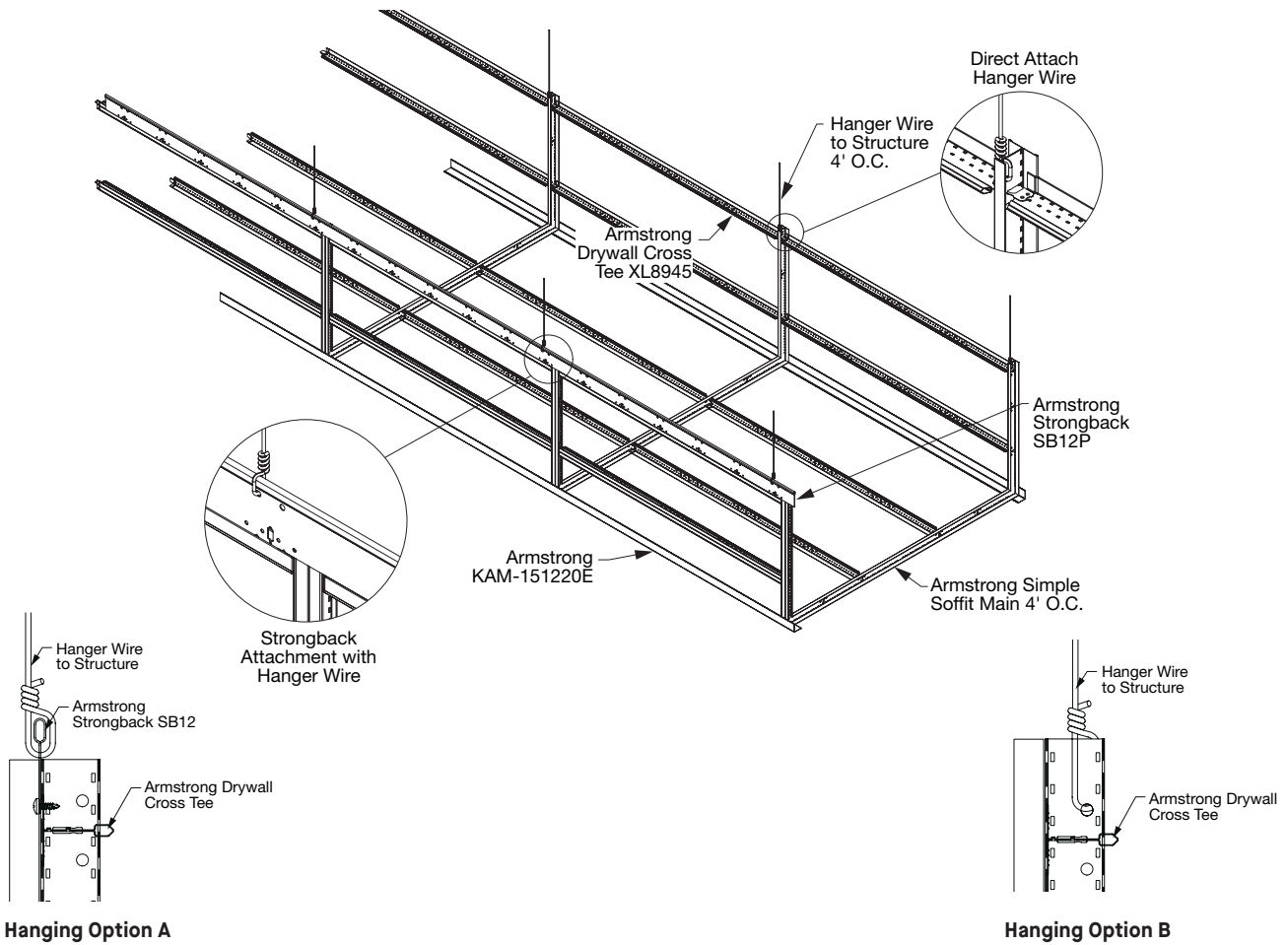
**SimpleCurve® Angle**



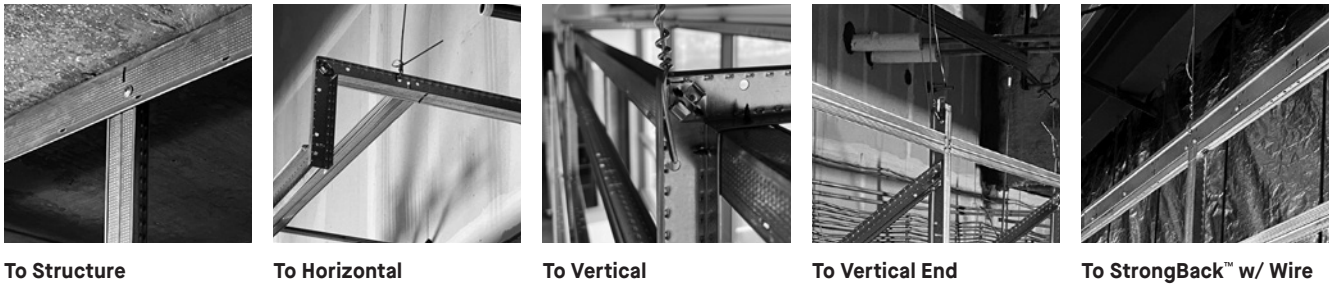
**LAM – Locking Angle Molding**



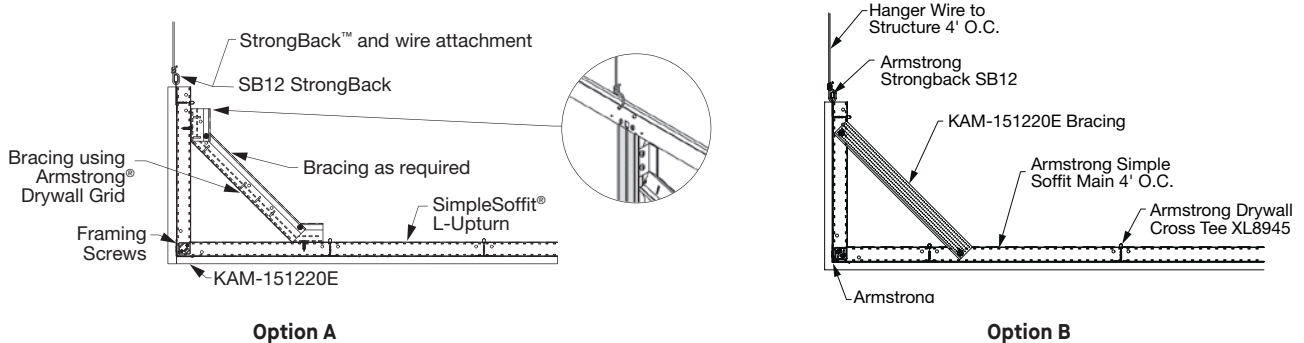
**SIMPLESOFFIT® FRAMING SYSTEM ATTACHMENT OPTIONS**



**ADDITIONAL HANGING/VERTICAL SUPPORT OPTIONS:**

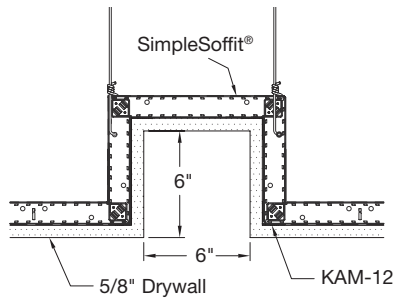


**BRACING OPTIONS**

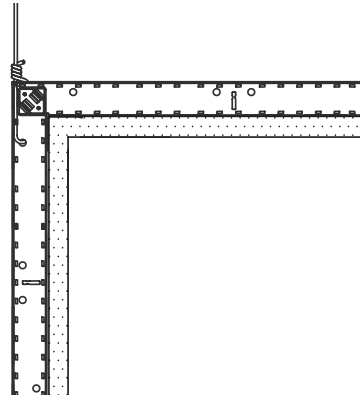


TYPICAL SIMPLESOFFIT SOLUTIONS

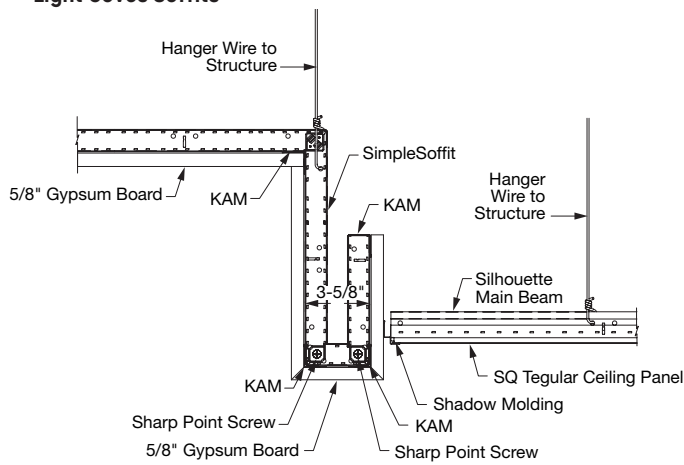
Recessed Pocket For Lighting/Diffusers



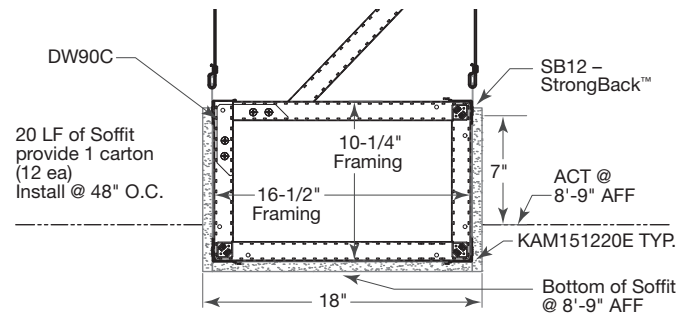
Perimeter Pocket Application



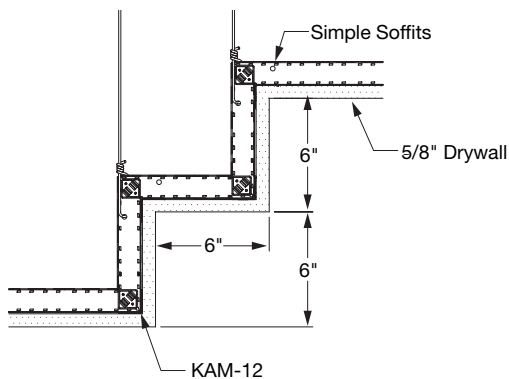
Light Covers Soffits



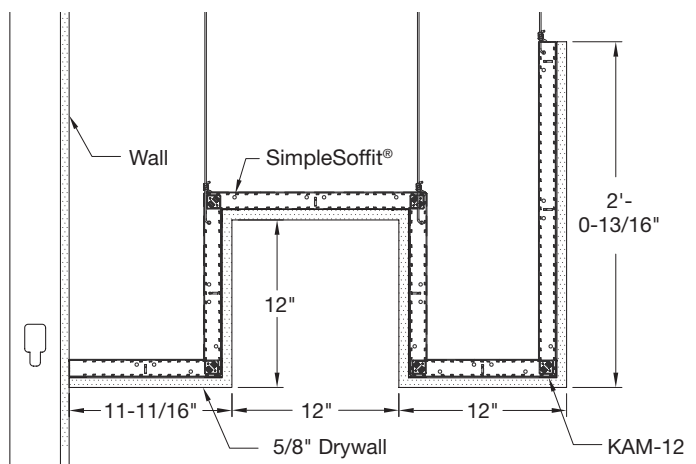
Box Soffits



Multi-Step Soffits



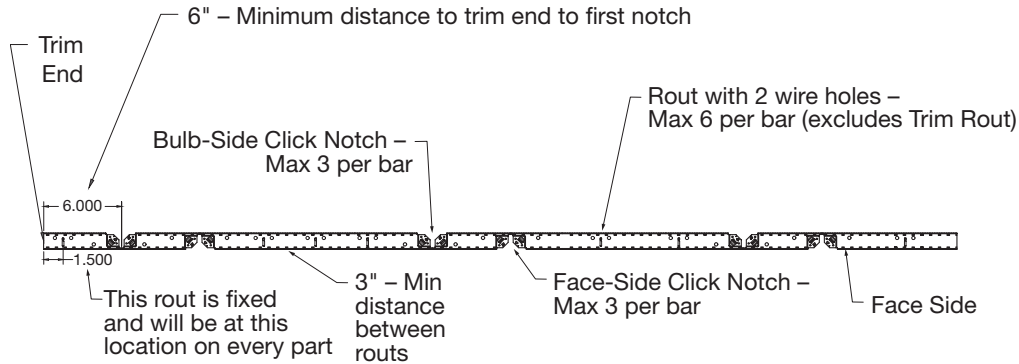
Unique Soffit Solutions



## DIMENSIONS & ORDERING

### SIMPLESOFFIT ORDERING GUIDELINES

The detail and information below is to be used as a reference for ordering specifications and limitations for SimpleSoffit main beams.



#### NOTES:

Max Length = 12'-0"

Min Length = 2'-0"

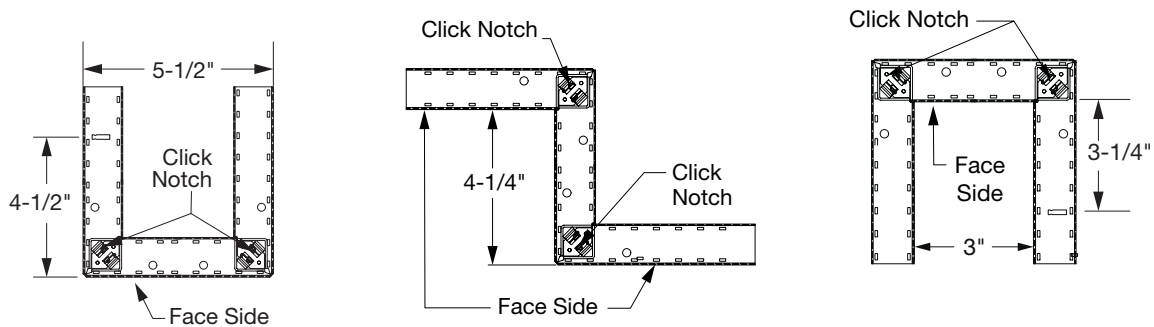
A total of six routs can be placed on the bar by the customer.

An additional rout will be provided at the trim end (fixed location).

Routs are two wire hole style.

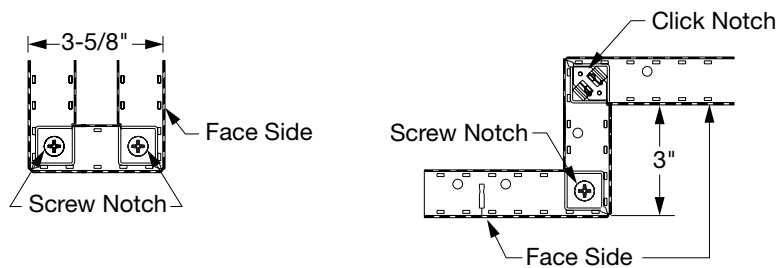
### SIMPLESOFFIT MINIMUM DIMENSION GUIDELINES

#### MINIMUM FOLDED DIMENSIONS FOR BEND AND CLICK NOTCHES



#### MINIMUM DIMENSIONS WITH SCREW NOTCH

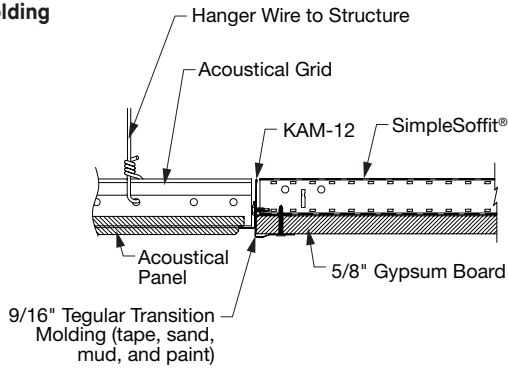
Tighter dimensions are achievable with SimpleSoffit using Screw Notch, which must have #8 pan head screws at each corner.



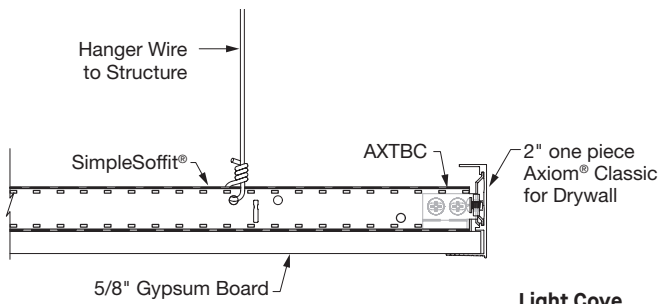


**SIMPLESOFFIT DRYWALL FRAMING SYSTEM**

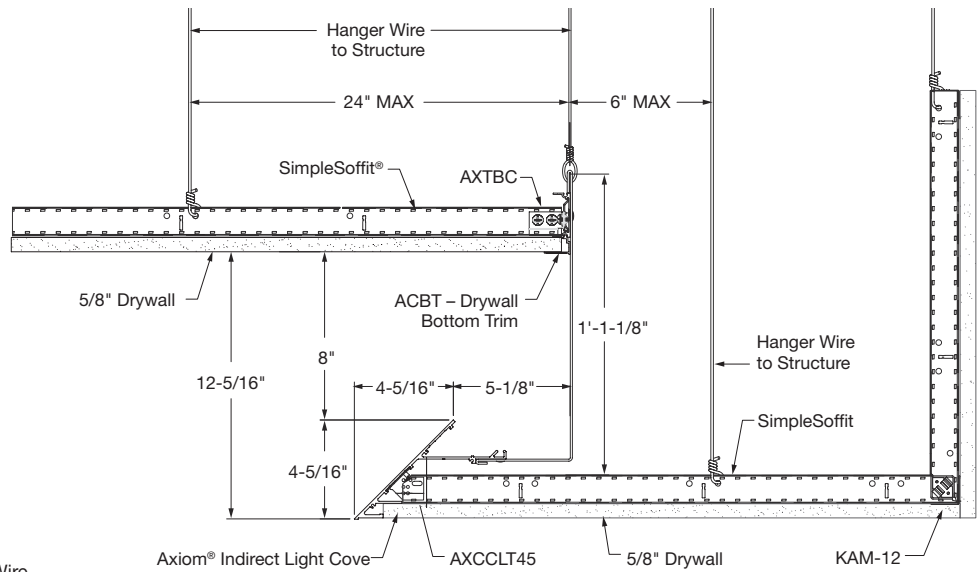
**Transition Molding**



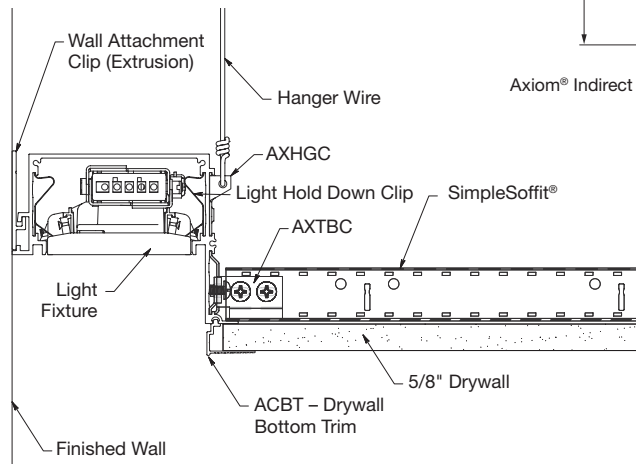
**Axiom® Classic for Drywall**



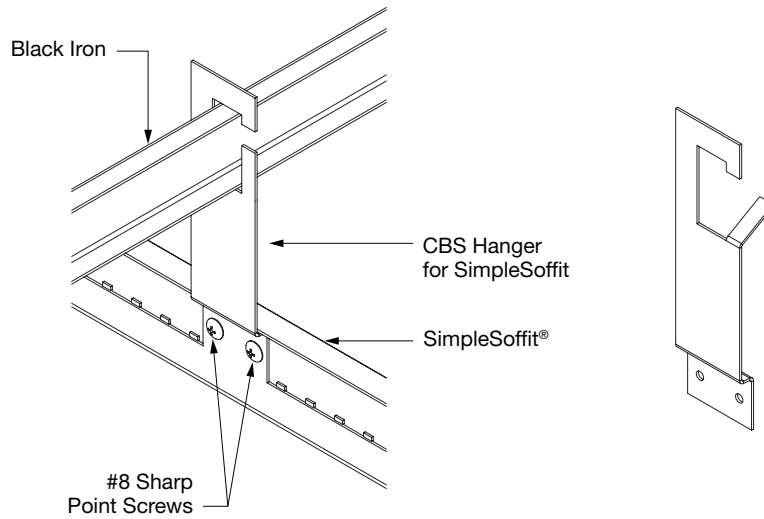
**Light Cove**



**Perimeter Pocket**

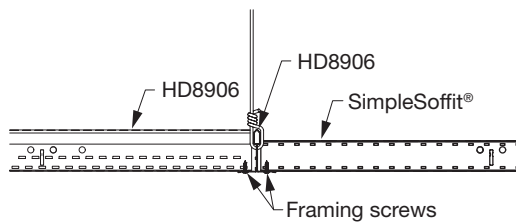
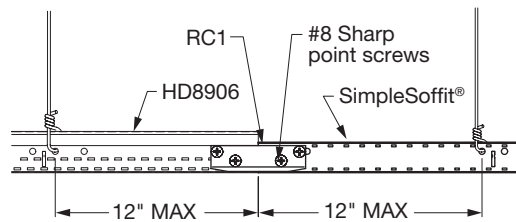
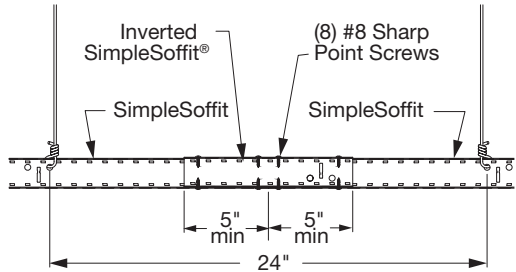


**INTEGRATION WITH THE CHANNEL BEAM SUPPORT (CBS) HANGER OPTION**



**SIMPLESOFFIT FRAMING SYSTEM**

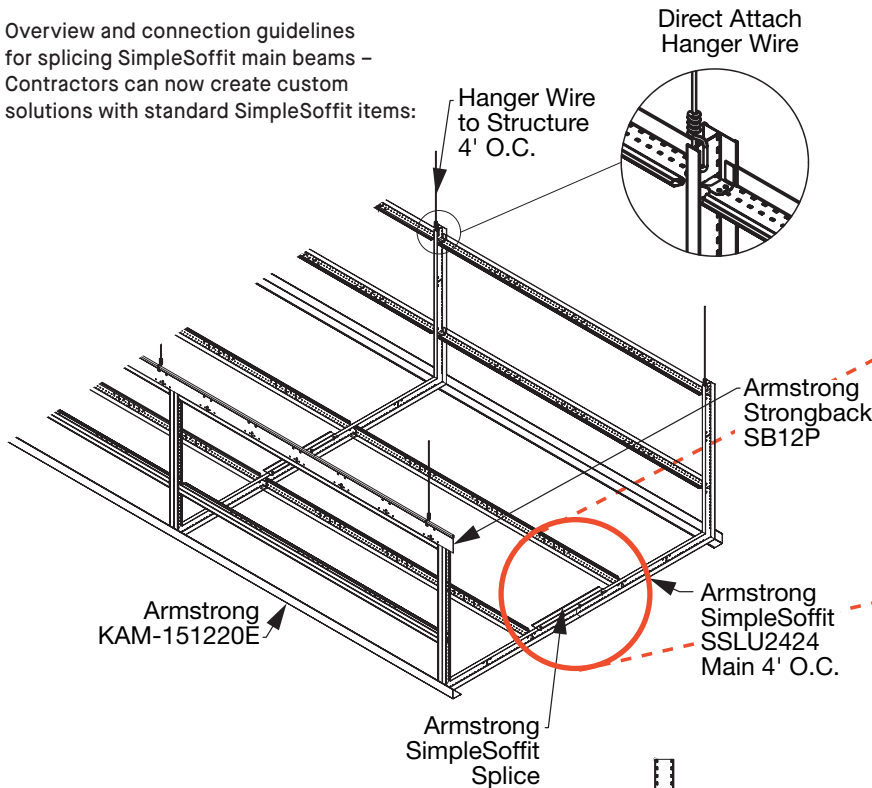
Options for connecting SimpleSoffit to Standard Armstrong FrameAll™ Drywall Grid:



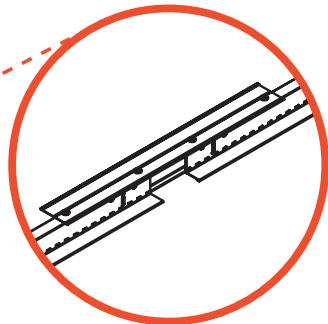
See following page for more information on SimpleSoffit Splicing.

**SIMPLESOFFIT SPLICE CAPABILITY**

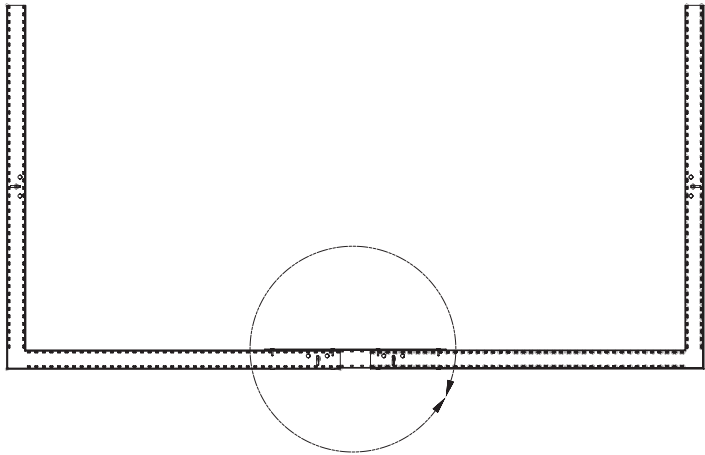
Overview and connection guidelines for splicing SimpleSoffit main beams – Contractors can now create custom solutions with standard SimpleSoffit items:



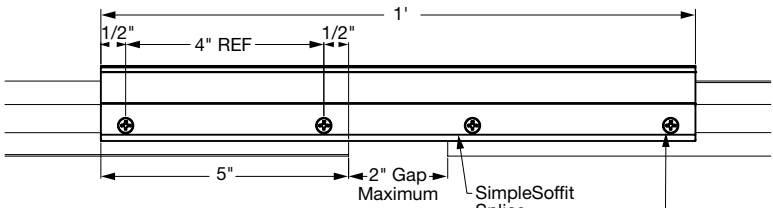
SimpleSoffit Splice (Installed)



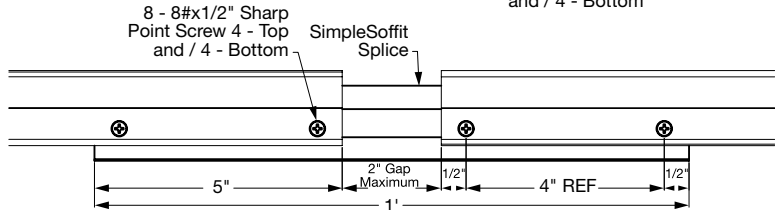
**NOTE:** Example of splice used in a U soffit to achieve 4' wide soffit with no additional hanger wires needed.



**TOP VIEW**

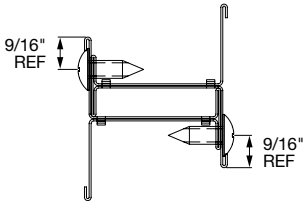


**BOTTOM VIEW**



**SIMPLESOFFIT SPLICE INSTALLATION DETAILS**

**SIDE VIEW**

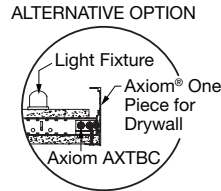
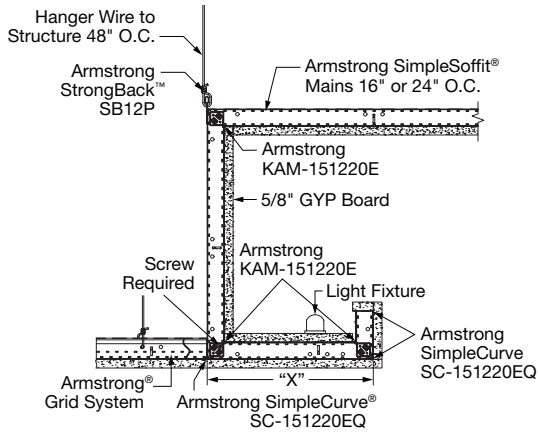


**NOTE:** SimpleSoffit splice installed in manner shown will achieve 19lb./ LFT or 4.78 lb./SFT with 4' O.C. main beams.

# DRYWALL GRID SYSTEMS

## MOLDINGS

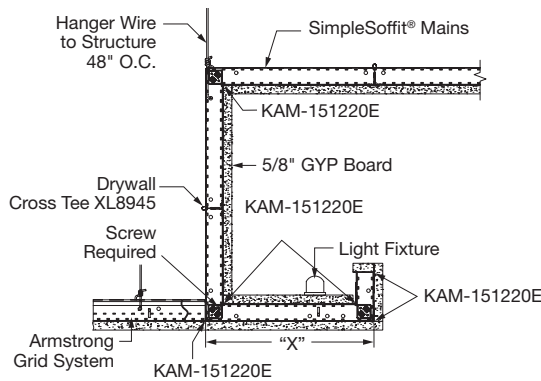
### 1 SimpleSoffit Curved Light Cove Detail



SimpleSoffit Light Cove, "C" or "G"-Shape

Overhang Length, "X"	Allowable Spacing and Loads			
	16" O.C.	24" O.C.	36" O.C.	48" O.C.
(in)	Allowable Fixture Weight			
12 (Max.)	16	10	6	4

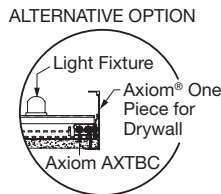
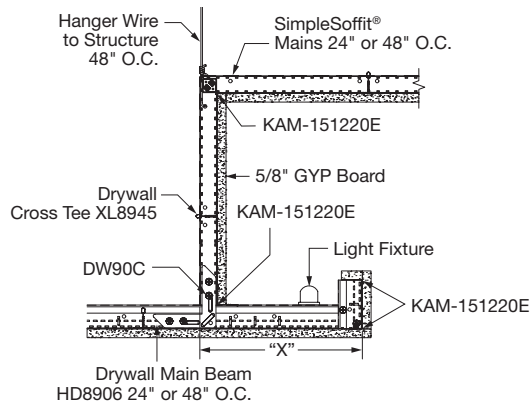
### 2 SimpleSoffit Straight Light Cove Details



SimpleSoffit Light Cove, "C" or "G"-Shape

Overhang Length, "X"	Allowable Spacing and Loads			
	16" O.C.	24" O.C.	36" O.C.	48" O.C.
(in)	Allowable Fixture Weight			
12 (Max.)	16	10	6	4

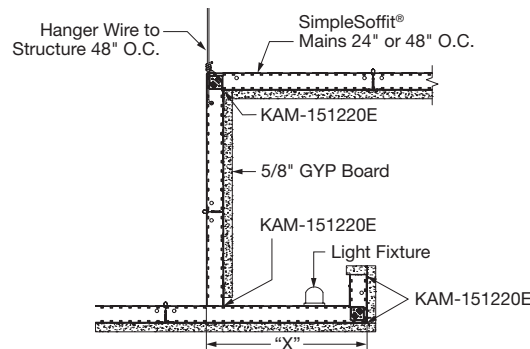
### 3 Drywall Grid Light Cove (HD8906 Overhang and SimpleSoffit L-Downturn)



Drywall Grid Light Cove (HD8906 Overhang and SimpleSoffit L-Downturn)

Overhang Length, "X"	Allowable Spacing and Loads	
	24" O.C.	48" O.C.
(in)	Allowable Fixture Weight	
12	20	10
18	12	6
24	6	3

### 4 SimpleSoffit® Light Cove (SimpleSoffit Overhang and SimpleSoffit L-Downturn)

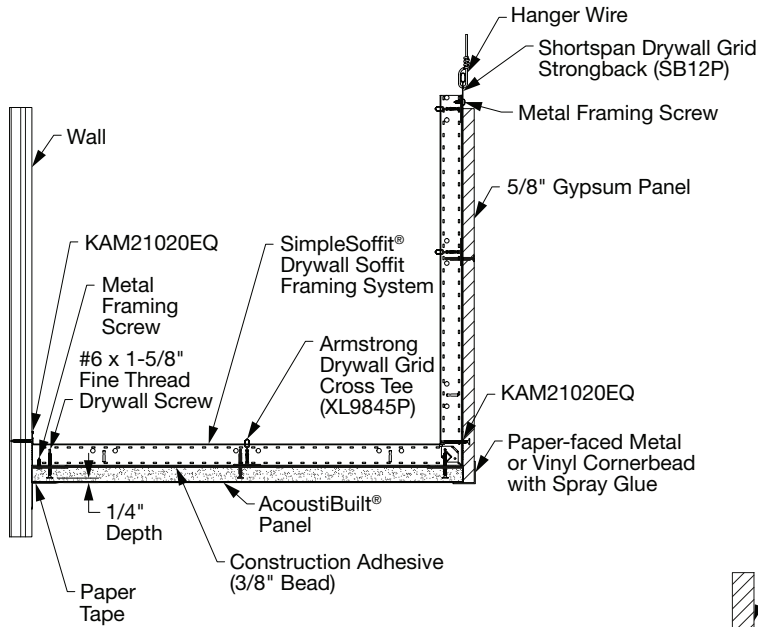


SimpleSoffit® Light Cove (SimpleSoffit Overhang and SimpleSoffit L-Downturn)

Overhang Length, "X"	Allowable Spacing and Loads			
	16" O.C.	24" O.C.	36" O.C.	48" O.C.
(in)	Allowable Fixture Weight			
12	24	16	11	8
18	12	8	5	4
24	6	4	3	2

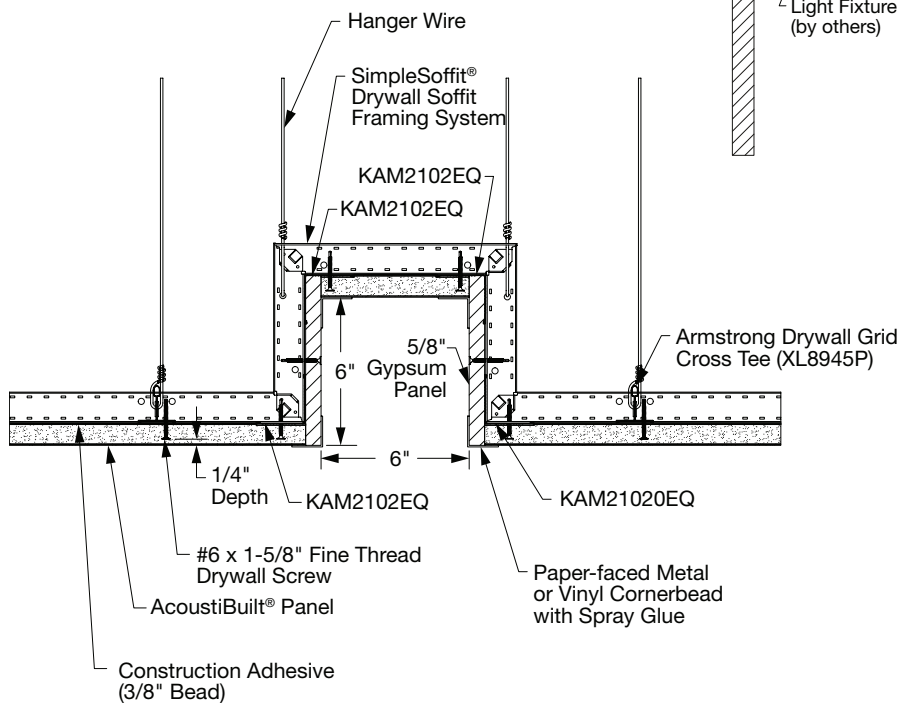
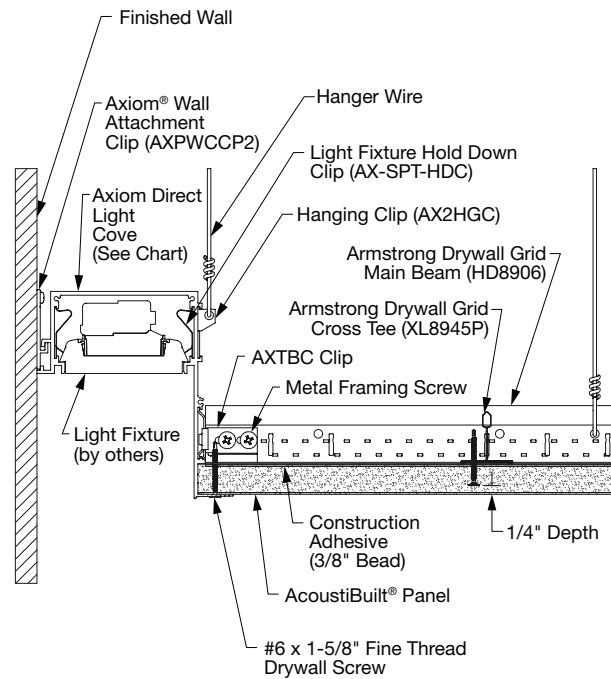


AcustiBuilt seamless acoustical ceilings can be installed on soffits of any size or angle. For acoustical benefit, AcustiBuilt is recommended on soffits 36" or greater in height. Standard drywall is recommended for soffits less than 36".



**Axiom Direct Light Cove**

Item No.	Width	Height
AXDLC44	4"	4"
AXDLC46	4"	6"



# NEXT STEPS

## 877 276-7876

Customer Service Representatives  
7:45 a.m. to 5:00 p.m. EST  
Monday through Friday

TechLine – Technical information, detail drawings, CAD design assistance, installation information, other technical services – 8:00 a.m. to 5:30 p.m. EST, Monday through Friday. FAX 800 572 8324 or email: [techline@armstrongceilings.com](mailto:techline@armstrongceilings.com)

## [armstrongceilings.com/commercial](https://armstrongceilings.com/commercial)

Latest product news

Standard and custom product information

Online catalog

CAD, Revit®, SketchUp® files

A Ceiling for Every Space® Visual Selection Tool

Product literature and samples – express service or regular delivery

Contacts – reps, where to buy, who will install



## [armstrongceilings.com/savingscalc](https://armstrongceilings.com/savingscalc)

The Armstrong Time, Material & Labor Savings Calculators are here to help you save vs. traditional construction methods.

Just plug in your job specific details and receive a complete dashboard with side-by-side comparisons, solution benefits, details, and photos that can be used on your next project or shared with a project resource.

Visit the link above to start saving time and money today!



SketchUp® is a registered trademark of Trimble Navigation Limited; Revit® is a registered trademark of Autodesk, Inc. All other trademarks used herein are the property of AWI Licensing LLC and/or its affiliates  
© 2023 AWI Licensing LLC • Printed in the United States of America

TechLine / 877 276-7876  
[armstrongceilings.com/simplesoffit](https://armstrongceilings.com/simplesoffit)

BPCS-6466-1223

**Armstrong®**  
World Industries