

Armstrong® Templok® Ceilings

Assembly and Installation Instructions

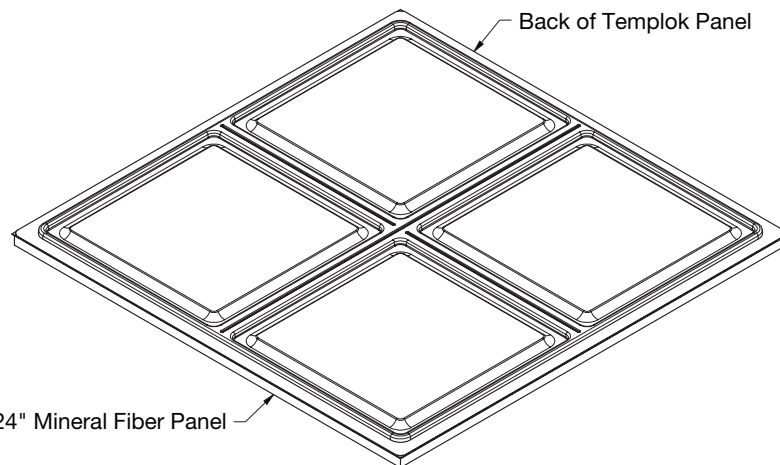


This installation guide is a supplement to the Standard Suspended Ceiling Assembly and Installation Instructions (BPLA-293022). This document highlights the requirements and safety precautions to be taken when installing Armstrong® Templok® ceiling panels.

1. GENERAL

1.1 Product Description

Armstrong Templok Ceilings are 24" × 24" mineral fiber panels with Phase Change Material (PCM) on the back of the panel (**Fig 1**). Templok Panels are available in square lay-in or tegular edges and install in 9/16" or 15/16" suspension systems. For complete standard ceiling panel and suspension system details, refer to the Standard Suspended Ceilings installation instructions.



(Fig 1)

IMPORTANT NOTE: Armstrong Templok Ceilings are intended for full panel installation only and **SHOULD NOT BE CUT**. You must use the base panel item for all border and cut tile needs.

1.2. Storage and Handling

Proper care should be taken when handling to avoid damage and soiling. Panels should remain in cartons prior to installation. The ceiling panels should be stored in a dry interior, weather protected, controlled environment, and out of direct sunlight.

1.3 Safety Considerations

Use caution and wear appropriate hand, eye, and dust mask protection when handling mineral fiber materials. Refer to Armstrong Templok Ceilings SDS (which includes information on established occupational exposure limits), which are available from Armstrong World Industries (AWI).

2. DESIGN AND INSTALLATION CONSIDERATION

Because Armstrong Templok Ceilings should never be cut, perimeter panels and MEP integration locations should be kept in mind as these locations normally require field cutting. Panels in these locations should be substituted with the coordinating standard ceiling panel to accommodate any cuts required. Refer to Section 4.3 for additional information.

3. SUSPENSION SYSTEM

3.1 General

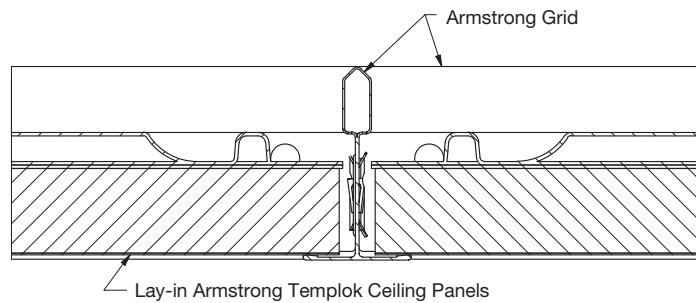
The suspension systems, whether 9/16" or 15/16", should be installed to meet the minimum requirements established in the ASTM C636 standard and any other requirements established by local code and the authority having jurisdiction. All grid components used must be rated to carry the appropriate load per ASTM C635. Consult the grid product data page for load carrying information and panel product data page for specific panel weight.

For seismic installation, refer to our ceiling system installation instructions.

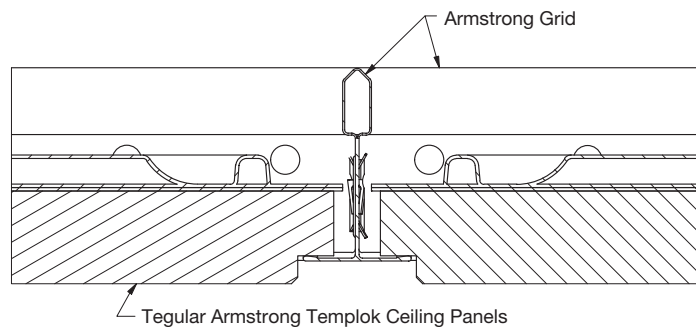
4. PANEL INSTALLATION

4.1 Edge Detail

Armstrong® Templok® Ceilings are available with a square lay-in or Tegular edge detail (**Figs 2 & 3**).



(Fig 2)



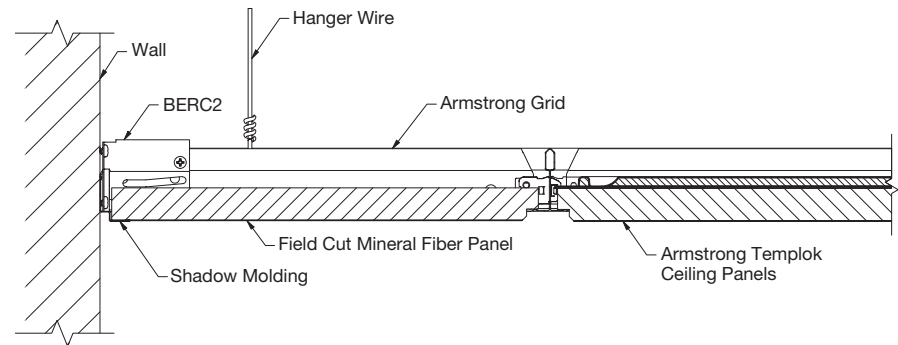
(Fig 3)

4.2 Full Panel Installation

Armstrong Templok Ceiling Panels install like standard ceiling panels but **CANNOT** be cut. Install with care to not puncture or damage the panel. Stop and inspect panel if damage is suspected.

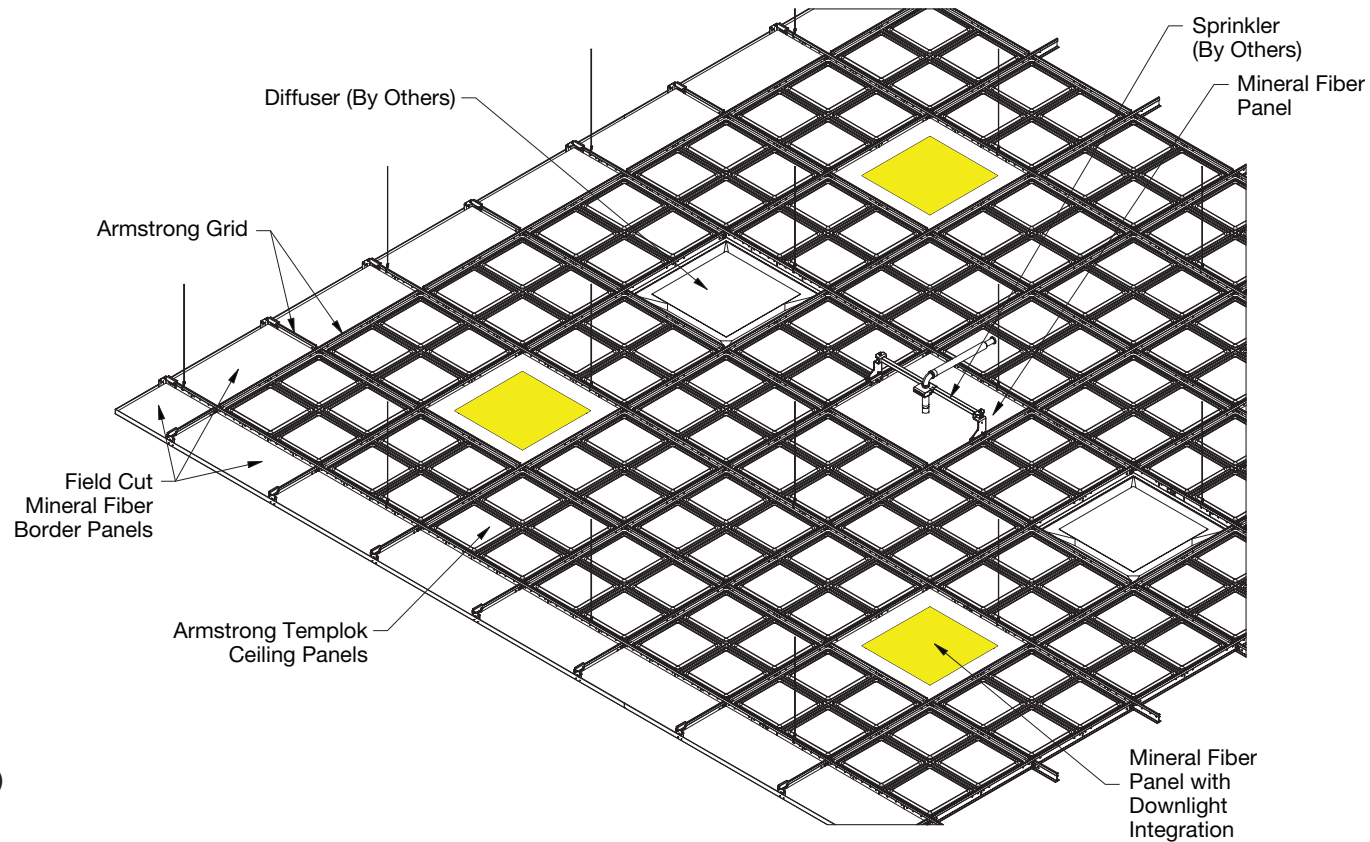
4.3 Cut Panels

Do **NOT** cut Armstrong Templok Ceiling Panels. All ceiling-mounted services must either replace a full panel or use the coordinating standard ceiling panel to cut around any ceiling penetrations and borders (**Fig 4**).



(Fig 4)

4.4 Full Panel Installation Detail



(Fig 5)

4.5 Damaged Templok® Panel

- If a ceiling panel has been damaged, dented, cut or bent during installation or during shipment, it is important to **STOP** installation and dispose of this tile.
- Refer to the SDS for more information on safety, handling, and disposal of Templok tiles. Gloves and safety glasses should be worn among other PPE to avoid skin contact.

MORE INFORMATION

For more information, or for an Armstrong Ceilings representative, call 877 276-7876.
For complete technical information, detail drawings, CAD design assistance, installation information, and many other technical services, call TechLine customer support at 877 276-7876 or FAX 800 572-TECH.

All trademarks used herein are the property of AWI Licensing LLC and/or its affiliates.
© 2023 AWI Licensing Company Printed in the United States of America

BPLA-293562-1123



Armstrong[®]
World Industries