

WOODWORKS® Linear

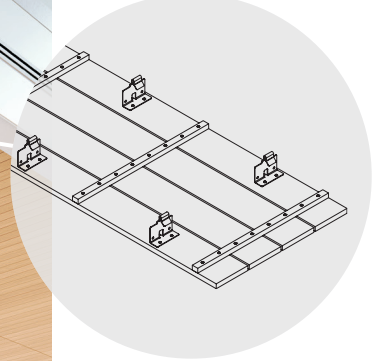
Veneered Panels



FAST134
Select Items Ship Fast
armstrongceilings.com/fast134



CAD/Revit® drawings at:
armstrongceilings.com/cadrevit



WoodWorks® Linear Veneered Panels with nominal 6" wide planks and 1/4" reveal in Rift White Oak

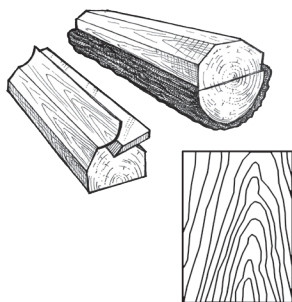
Hook-on panels with downward accessibility in a variety of real wood veneers.

KEY SELECTION ATTRIBUTES

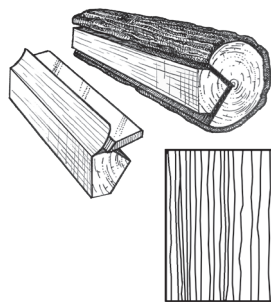
- new** • Standard veneers feature various species and cuts for beautiful wood visuals
- Hook-on panels with downward accessibility; hooks are field-attached to factory pre-drilled holes by installer
- The natural warmth of wood can contribute to biophilic designs and building certification standards like the WELL™ v2 "Nature and Place" feature
- Heavy-duty Prelude® XL® 15/16" suspension system
- Select products included in the FAST134 program – ready to ship in 4 weeks or less
- Complete standard system from one manufacturer, including suspension system, panels, and trim options
- CleanAssure™ family of products – includes disinfectable panels, suspension systems, and trim
- USDA Biobased content: 100%
- Factory-edge banded for superior quality
- Integrate linear lights seamlessly with the Integrated Light Connection Clip and lights from Backlight™ srl and XAL®
- FSC® certified wood available as a premium quoted option

VENEER CUTS

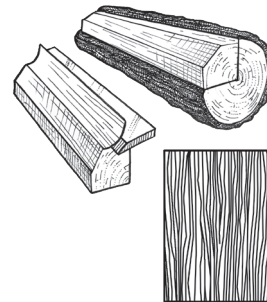
Different cuts of a log will yield different graining visuals. Choose your veneer to achieve your desired look.



Plain Sliced
Produces the well-known cathedral or loop-grain effect.



Quarter Sliced
Produces a striped, often straight-grain effect.



Rift Sliced
Produces a tight, linear grain along the entire length of the veneer.

WOODWORKS® Linear

Veneered Panels

USDA
CERTIFIED
BIOBASED
PRODUCT
PRODUCT 100%

LEED® WELL | LBC

82% RECYCLED CONTENT

For LEED contribution contact TechLine

energy management	construction waste mgmt.	regional materials	design for flexibility	EPD	recyclable/extended producer resp.	biobased materials	FSC® (for wood)	recycled content	sourcing of raw materials	material ingredient reporting	low emitting materials	lighting quality	acoustics
LOCATION DEPENDENT				PREMIUM OPTION				WITH INFILL PANEL					

VENEER WOOD RANGES

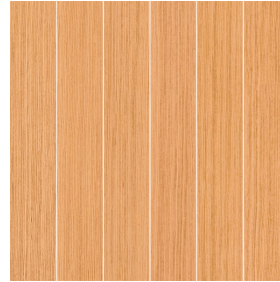
The carefully curated species and veneer cut offer a beautiful natural variation. The images here reflect the visual range that is likely within our product. Darkest to lightest tones may occur within an installation due to the character of wood.



Plain Slice White Maple (NWM)



Plain Slice White Ash (NWA)



Vertical Grain Fir (NWF)



Rift White Oak (NRO)



Plain Slice White Oak (NOK)



Plain Slice Cherry (NPC)



Quartered Mahogany (NGM)



Quartered Sapele (NGS)

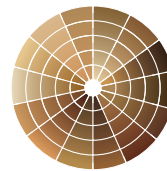


Quartered Walnut (NGW)



Plain Slice Walnut (NWN)

CUSTOM FINISHES



Custom Wood Species and Finishes Available

LEGACY FINISHES

Natural Variations™
Plain Slice



Maple (NMP)



Light Cherry (NLC)

Constants™
Vertical Grain



Walnut (CWA)



Redux Wood Wheat (CRW)

Due to printing limitations, shade may vary from actual product.



WOODWORKS® Linear Veneered Panels

USDA
CERTIFIED
BIOBASED
PRODUCT
PRODUCT 100%

LEED® WELL™ LBC

82% RECYCLED CONTENT

For LEED contribution contact TechLine

energy management	construction waste mgmt	regional materials	design for flexibility	EPD	recyclable/extended producer resp.	biobased materials	FSC® (for wood)	recycled content	sourcing of raw materials	material ingredient reporting	low emitting materials	lighting quality	acoustics
LOCATION DEPENDENT					PREMIUM OPTION					WITH INFILL PANEL			

VISUAL SELECTION

PERFORMANCE

ACOUSTICAL INFORMATION

Item No. ♦	Description	Dimensions Nominal W x L x H (Inches)	LBS/ SF	Fog	Spray	Wipe
6690F01W1 _ _ _	Nominal 4" wide planks 3/4" Reveal	24 x 96 x 3/4"	2.56	*	*	*
6691F01W1 _ _ _	Nominal 6" wide planks 1/4" Reveal	24 x 96 x 3/4"	2.92	*	*	*

CleanAssure™
Disinfectable Panels

Fog Spray Wipe

Dots represent high level of performance.

Item No.	Infill Panel Item No.	NRC
6690F01W1	2820	0.70
	1713	0.65
	1318	0.65
	8200T10	0.55
	5823	0.45
	5479	0.45
6691F01W1	2820	0.40
	1713	0.40
	1318	0.40
	8200T10	0.25
	5823	0.20
	5479	0.20

FAST
4 WEEKS
or Less

FAST134 program items ready to ship from manufacturer in 4 weeks or less.
Up-to-date lead times and product options (sizes and colors) at armstrongceilings.com/fast134

Item No. ♦	Description	Dimensions Nominal W x L x H (Inches)	LBS/ SF	Fog	Spray	Wipe
6690F02W1 _ _ _	Nominal 4" wide planks 3/4" Reveal	24 x 96 x 3/4"	2.56	*	*	*
6691F02W1 _ _ _	Nominal 6" wide planks 1/4" Reveal	24 x 96 x 3/4"	2.92	*	*	*

FSC® certified*



♦ When specifying or ordering, please include the appropriate 3-letter color suffix (e.g. 6690F01W1 N W M).
* FSC-certified wood is a premium option available through ASQuote.
NOTE: Veneers and sizes available as special order; call TechLine at 1 877 276-7876.

PHYSICAL DATA

Material
Fire-rated particle board (FRPB) with real wood veneers. Vertical Grain Fir (NVF) is FRPB with a reconstituted veneer.

Surface Finish
Clear or tinted semi-gloss coating

Fire Performance
Class A: ASTM E84 surface burning characteristics. Flame Spread Index 25 or less. Smoke Developed Index 50 or less.

CAN/ULC S102 surface burning characteristics. Flame Spread Rating 25 or less. Smoke Developed Classification 50 or less.

ASTM E1264 Classification
Type XX; Pattern: Z; Class A

Application Considerations
Variation among Veneered Panels may occur due to the natural characteristics of the wood and grain.

Use of large wood panels may result in deflection and cause alignment inconsistency due to size and ambient conditions.

It is very important that WoodWorks panels are climatized prior to installation. Relative humidity between 25% and 55%, and temperatures between 50°F and 86°F, must be maintained throughout the life of the product.

Design Considerations
Cloud installations with total panel width less than 6' wide are not recommended.
Cloud installations must be at least two panels in length so that the short ends of panels interfacing with the trim can be installed with the open side of the hooks facing the perimeter. See installation instructions for details.

Specification Consideration
Attention: For FSC-certified wood products to maintain their CoC certification, products must be sold to a CoC-certified distributor or directly to the installing contractor. Failure to do so breaks the CoC.

Seismic Restraint
WoodWorks Linear Veneered Panels have been engineered, tested, and approved for application in all seismic areas when installed per Armstrong Ceilings installation instructions.

Cleaning and Disinfecting
Cleaning and CDC-approved disinfecting options available on armstrongceilings.com/cleaning

FAST134 Program Considerations
Size of Job Matters: Big jobs, over 2500 SF or 50 pieces for shapes/vertical elements will have longer lead times.
Location Matters: Transit time not included. We are ready to ship in 1 week on FAST1 items. However, transit to the states west of Wyoming may add time.
Distributor Truck Schedule Matters: We rely on distribution to help move products around the country. When speed matters, work with your local distributor to ensure FAST134 service.
Stock vs. Made-to-Order Matters: FAST3 & FAST4 items are made-to-order and will ship direct to distributor. FAST1 (stocked items) will go through distribution and depend on distributor truck schedules.

Warranty
Details at armstrongceilings.com/warranty

Weight (bulk packaged)
Refer to Visual Selection chart



WOODWORKS® Linear Veneered Panels

USDA
CERTIFIED
BIOBASED
PRODUCT
PRODUCT 100%

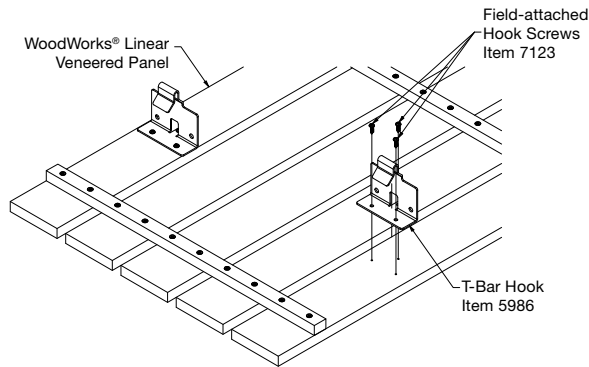
LEED WELL | LBC

82% RECYCLED CONTENT

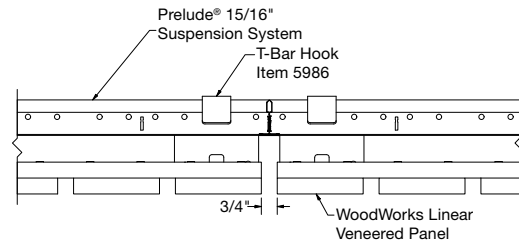
For LEED contribution contact TechLine

energy management	construction waste mgmt	regional materials	design for flexibility	EPD	recyclable/extended producer resp.	biobased materials	FSC® (for wood)	recycled content	sourcing of low materials	material ingredient reporting	low emitting materials	lighting quality	acoustics
LOCATION DEPENDENT					PREMIUM OPTION					WITH INFILL PANEL			

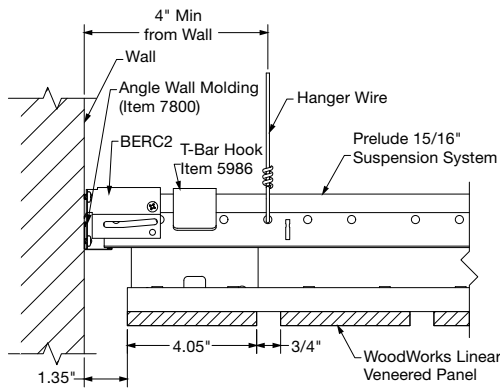
SYSTEM INSTALLATION DETAILS



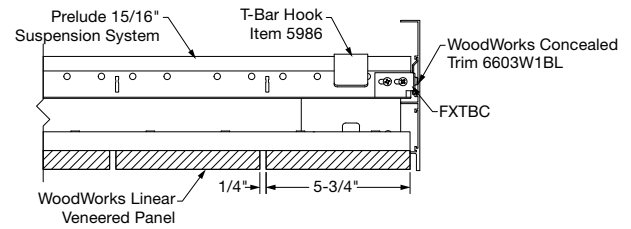
① Hook and Screw Installation



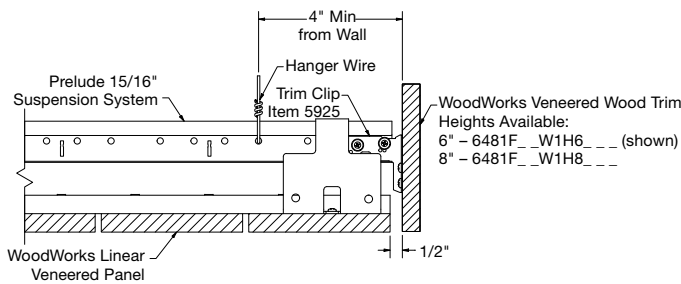
② Interface with Grid



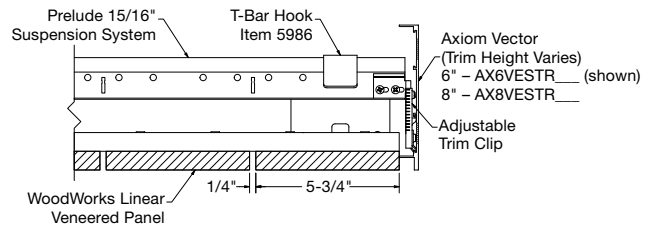
③ Panels to Wall Detail



④ Concealed Perimeter Trim



⑤ Veneer Perimeter Trim



⑥ Axiom® Perimeter Trim



WOODWORKS® Linear

Veneered Panels



82% RECYCLED CONTENT

For LEED contribution contact TechLine

energy management	construction waste mgmt	regional materials	design for flexibility	EPD	recyclable/extended producer resp.	biobased materials	FSC* (for wood)	recycled content	sourcing of raw materials	material ingredient reporting	low emitting materials	lighting quality	acoustics
LOCATION DEPENDENT					PREMIUM OPTION				WITH INFILL PANEL				

ACCESSORIES

	Item No. ◆	Description	Dimensions Nominal W x L x H (inches)	Color	PCS/CTN
Suspension Systems	7301BL	Prelude® XL® 12' HD Main Beam	15/16" x 144" x 1-11/16"	Black	20
	XL8320BL	Prelude XL 2' Cross Tee	15/16" x 24" x 1-11/16"	Black	60
	7800BL	Angle Wall Molding	7/8" x 144" x 7/8"	Black	30
	7891	12-Gauge Hanger Wire	144" Length	Mill Finish	140
Accessories	7100	Heavy-duty Wall Anchor	1-1/4" x 3" x 1"	Mill Finish	50
	5986	T-Bar Hook	Nominal 4" x 2" x 3"	Black	50
	7123PKG300	Wood Screws	5/8"	Mill Finish	300/PKG
	6091	Safety Cable	24" x 3/32"	Mill Finish	50 (2 required per panel)
	SH12	Support Hanger	144" x 2"	Mill Finish	12
	BERC2	Beam End Retaining Clip	N/A	Mill Finish	200
	Acoustical Infill Panels	5823	BioAcoustic™ Infill Panel	24" x 24" x 5/8"	Black Matte
5479		BioAcoustic Infill Panel	24" x 24" x 5/8"	Beige Matte	12
1713BL		School Zone® Fine Fissured™ Square Lay-in Panel	24" x 24" x 3/4"	White or Black	12
1318		Backstage Noir® Square Lay-in Panel	24" x 24" x 3/4"	Black	12
8200T10		Fiberglass Infill Panel	24" x 24" x 1"	Black Gloss	12
2820BK		Calla® Square Lay-in Panel	24" x 24" x 7/8"	Black	10
Perimeter Trim		6481F01W1H6_ _ _	6" Veneered Trim with 4 Clips – Item 5925 (With Faux Wood Edgebanding on Long Edges)	6" x 96" x 3/4"	All Veneers
	6481F01W1H8_ _ _	8" Veneered Trim with 4 Clips – Item 5925 (With Faux Wood Edgebanding on Long Edges)	8" x 96" x 3/4"	All Veneers	N/A
	5925	Replacement Trim Clips	N/A	Mill Finish	25
	7239	Adjustable Trim Clip	N/A	Mill Finish	50
	AX_VESTR_ _ _	Axiom® Vector Straight Trim – Recommend in Black 6" and up	N/A	Silver Grey, Black, Gun Metal	10 LF
	AX_VECUR_ _ _	Axiom Vector Curved Trim – Recommend in Black 6" and up	N/A	Silver Grey, Black, Gun Metal	10 LF
	6408_ _ _	3/4" Coordinating Faux Wood Edgeband	3/4" x 300"	All Veneers	25 LF
	6408D5_ _ _	1-1/4" Coordinating Faux Wood Edgeband	1-1/4" x 300"	NWM, NWA, NVF, NRO, NOK, NPC, NGM, NGS, NQW, NWN	25 LF
	6603W1BL	Concealed Trim	6" x 120"	Black	10 LF

When ordering suspension system materials, please note that this product requires Prelude XL HD (Heavy-duty) 15/16" main beams and 2' cross tees that are full height (1-11/16"). Both suspension system components should be specified in Tech Black (BL).

◆ When specifying or ordering please include the 3-letter color suffix that coordinates with your WoodWorks ceiling: (e.g. 6481F01W1H6 N W M).
NOTE: Refer to installation instructions at armstrongceilings.com/installation for a better understanding of suspension system requirements.



WOODWORKS® – Standard

LIGHTING SOLUTIONS
WOODWORKS® Linear
Veneered Panels



WoodWorks Linear Veneered panels in Maple with 5-1/4" x 95" linear light fixture

Seamlessly integrate linear light fixtures from Backlight™ srl and XAL® with standard or made-to-order WoodWorks® Linear Veneered panels using Integrated Light Connection Clips that suspend lights directly from the suspension system. This eliminates the need for independent support of the fixture or modification of the suspension system.

KEY SELECTION ATTRIBUTES


- Engineered and tested clip and suspension system seamlessly integrate lighting with grid
- Low-profile, pre-engineered light fixture in coordinating 3-1/4" and 5-1/4" widths from Backlight srl and XAL for a flush, sleek visual
- Approved for use in all seismic categories

DESIGN CONSIDERATIONS

- Length of lights are designed to coordinate with the length of panels
- Lights must run parallel with panel direction and are not for use in perimeter panels
- Reveal between light and panels will coordinate with the reveal from panel to panel
- Coordination between ceiling contractor and electrician is required for installation

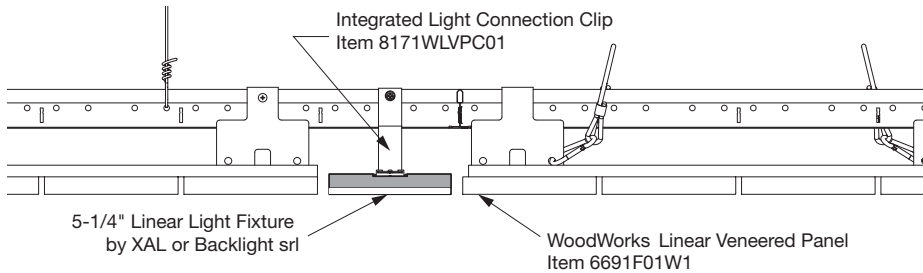


VISUAL SELECTION

Item No.	Description	Coordinating WoodWorks Linear Veneered Panel Item No.	Panel Field Modification Required*	Compatible Partner Light Fixture Dimensions W x L (Inches)	Clips Required per Light Fixture
WoodWorks® Linear Veneered Panels	8171WLVPC01 	6690F01W1 6691F01W1	Remove 1 plank Remove 1 plank	3-1/4" x 95.25" 5-1/4" x 95.75"	4 4

* Made-to-order panels that eliminate the need for field modification of standard panels are available via ASQuote@armstrongceilings.com
NOTE: Item 8171WLVPC01 is packaged 12 PCS/CTN

INSTALLATION DETAILS



LIGHTING FIXTURES

Compatible with Backlight srl CHIARO™ light fixture and XAL® PANO™ Low-Profile Linear Plank light fixture



For detailed lighting information, contact your local Backlight srl or XAL representative.