

# WOODWORKS® Linear

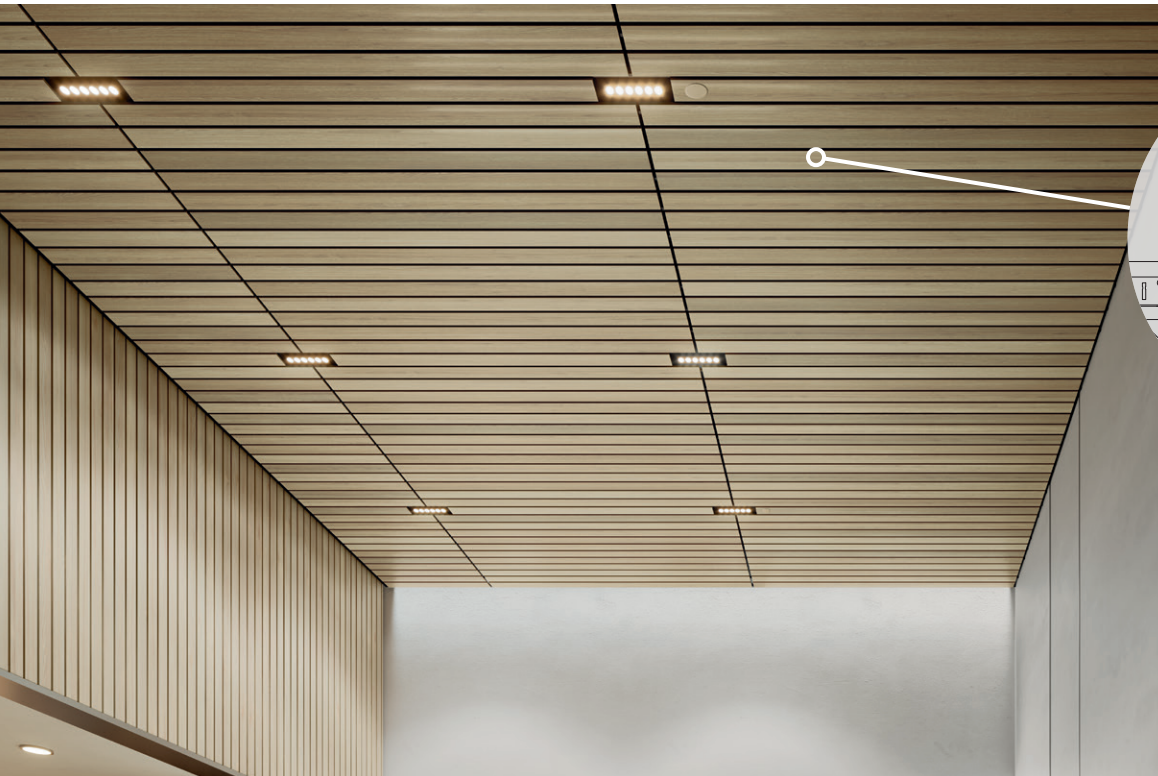
## Solid Wood Panels



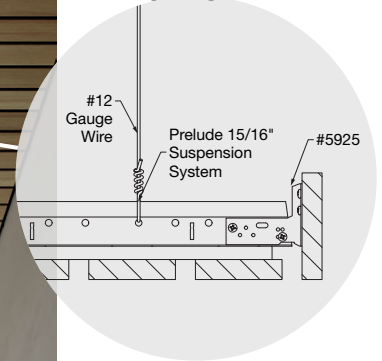
**TOTAL ACOUSTICS®**  
Sound Absorption (NRC)  
+ Sound Blocking (CAC)



**SUSTAIN®**  
High Performance  
Sustainable  
Ceiling Systems



CAD/Revit® drawings at:  
[armstrongceilings.com/cadrevit](http://armstrongceilings.com/cadrevit)

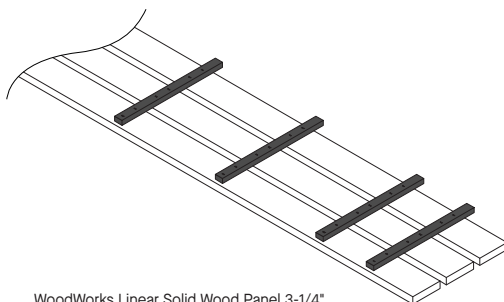


WoodWorks Linear Solid Wood panels in Antique Oak on Prelude® XL® 15/16\"/>

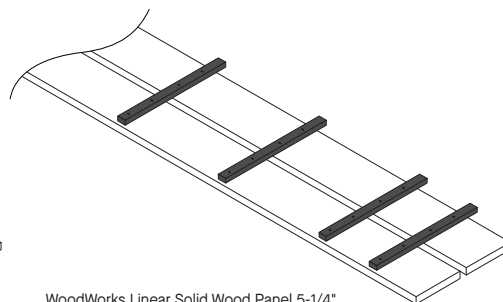
Standard linear solutions with the beautiful color variation and graining of solid wood with integrated lighting options.

### KEY SELECTION ATTRIBUTES

- new** • Standard finishes on solid poplar are tinted to replicate naturally occurring wood tones
- new** • Panels are part of the Sustain® portfolio and meet the most stringent industry sustainability compliance standards today
- FSC® certified wood available as a premium quoted option
- new** • Get total noise control and design flexibility with Total Acoustics® ceiling panels:  
NRC + CAC = Total Acoustics
- The natural warmth of wood can contribute to biophilic designs and building certification standards like the WELL™ v2 "Nature and Place" feature
- Two plank widths – nominal 3" and nominal 5"
- Installation with backer clip provides semi-accessibility, improves alignment and allows for adjustment during install (Recommended method for repeated access)
- Screw installation method offers a fast install using familiar tools and provides semi-accessibility
- Lighting solutions are certified for fit and finish and engineered to be supported by standard Armstrong suspension systems for use in all areas, including seismic D, E, F zones
- Integrated downlighting solutions from USAI® sit perfectly flush with the panel face for a sleek visual
- Integrate linear lights seamlessly with the Integrated Light Connection Clip and lights from Backlight™ srl and XAL®
- Create continuous looks and clouds with solid wood trim
- Complete standard system from one manufacturer



WoodWorks Linear Solid Wood Panel 3-1/4"



WoodWorks Linear Solid Wood Panel 5-1/4"

# WOODWORKS® Linear

## Solid Wood Panels



Declare.

LEED WELL | LBC

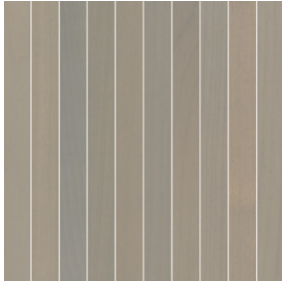
energy management	construction waste mgmt	regional materials	design for flexibility	EPD	recyclables/extended producer resp.	biobased materials	FSC® (for wood)	recycled content	sourcing of low materials	material ingredient reporting	low emitting/ materials	lighting quality	acoustics
		▲	▲	▲	▲	▲	▲	▲	▲	▲	▲	▲	▲
LOCATION DEPENDENT				PREMIUM OPTION				WITH INFILL PANEL					

For LEED contribution contact TechLine

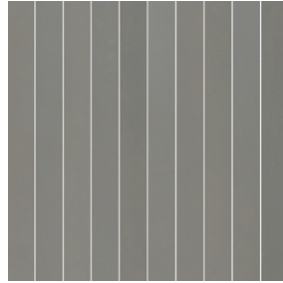
### FINISH RANGES ON SOLID POPLAR

Our tinted finishes allow the natural character of the poplar to shine through. The images here reflect the visual range that is likely within our product. Installers will want to lay out panels before installing to achieve preferred aesthetic.

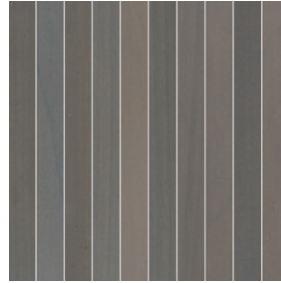
#### Finish Ranges on Solid Poplar



Bleached Grey (GBG)



Classic Grey (GCG)



Carbon Grey (GCB)



Rich Mahogany (GRY)



Antique Oak (GAO)



Red Oak (GRK)



English Chestnut (GEC)



Golden Maple (GGM)



Natural Walnut (GWN)

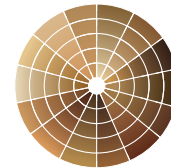


Warm Oak (GWO)



Forest Walnut (GFW)

#### CUSTOM FINISHES



Custom Wood Species and Finishes Available

Made-to-order, custom backer colors available.

#### LEGACY FINISHES



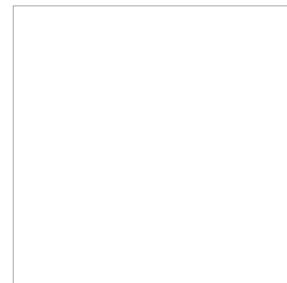
Maple (GMP)



Light Cherry (GLC)



Dark Cherry (GDC)



White (GWH)\*

Due to printing limitations, shade may vary from actual product.

\* Painted White finish is not included in the Sustain® portfolio.



WOODWORKS® - Standard

# WOODWORKS® Linear

## Solid Wood Panels

For LEED contribution contact TechLine

LEED® WELL | LBC

energy management

construction waste mgmt

regional materials

design for flexibility

EPD

recyclable/extended producer resp.

biobased materials

FSC® (for wood)

recycled content

sourcing of raw materials

material ingredient reporting

low emitting materials

lighting quality

acoustics

LOCATION DEPENDENT

Dots represent high level of performance.

PREMIUM OPTION

WITH INFILL PANEL

### VISUAL SELECTION

Item No. ♦	Description	Dimensions Nominal W x L x H (Inches)		Lbs/SF
		Custom Sizes Available		
WOODWORKS® Linear Solid Wood Panels 8176W1 _ _ _	3-1/4" wide planks	12 x 96 x 3/4"		1.64
8177W1 _ _ _	5-1/4" wide planks	12 x 96 x 3/4"		1.83

♦ When specifying or ordering, include the 3-letter color suffix that coordinates with your WoodWorks ceiling: (e.g., 8176W1 G M P)  
NOTE: For additional color and size options, or acoustical felt available as a custom option, call TechLine at 1 877 276 7876.

### PERFORMANCE

CleanAssure™ Disinfectable Panels

Fog	Spray	Wipe
•	•	•
•	•	•

### ACOUSTICAL INFORMATION

Item No.	Infill Panel Item No.	NRC	CAC	Total Acoustics <sup>1</sup>
8176W1	1318	0.70	28	-
	1713BL	0.70	36	BETTER
	2820	0.70	33	-
	8200T10	0.60	N/A	-
8177W1	1318	0.60	29	-
	1713BL	0.55	36	-
	2820	0.60	33	-
	8200T10	0.50	N/A	-

<sup>1</sup> Total Acoustics® ceiling panels have an ideal combination of sound absorption and sound blocking in one product.  
**GOOD** (NRC 0.60-0.65; CAC 35+)  
**BETTER** (NRC 0.70-0.75; CAC 35+)  
**BEST** (NRC 0.80+; CAC 35+)

### ACCESSORIES

	Item No. ♦	Description	Dimensions Nominal W x L x H (inches)	Color	Pcs/Ctn
Suspension Systems	7301BL	Prelude® XL* 12' HD Main Beam	15/16 x 144 x 1-11/16"	Black	20
	XL7341BL	Prelude XL 4' Cross Tee	15/16 x 48 x 1-11/16"	Black	60
	XL7328BL	Prelude XL 2' Cross Tee	15/16 x 24 x 1-3/8"	Black	60
	XL8320BL	Prelude XL 2' Cross Tee	15/16 x 24 x 1-11/16"	Black	60
	7800BL	Angle Wall Molding	7/8 x 144 x 7/8"	Black	30
Accessories	6571 _ _ _	8' Ledger	96" x 1"	All Finishes	1
	7100	Heavy-duty Wall Anchor	1-1/4 x 3 x 1"	N/A	50
	5687	Backer Clip	3/8 x 11/16 x 7/8"	Black	250
	7290GBL	Flat Backer Kit	7/8 x 12 x 1/2"	Black	18
	5457GAL1 _ _ _	WoodWorks Solid End-Stain (Gallon)	N/A	All Finishes	1 Gallon
	5457QT1 _ _ _	WoodWorks Solid End-Stain (Quart)	N/A	All Finishes	1 Quart
Acoustical Infill Panels	2820BK	Calla® Square Lay-in Panel	24 x 24 x 7/8"	Black	10
	1713BL	School Zone® Fine Fissured™ Square Lay-in Panel	24 x 24 x 3/4"	Black	12
	1318	Backstage Noir™ Square Lay-in Panel	24 x 24 x 3/4"	Black	12
	6657	BioAcoustic™ Infill Panel	11 x 48 x 5/8"	Black Matte	12
Perimeter Trim	7146H4L96 _ _ _	4" Solid Wood Trim with 4 Clips	3/4 x 96 x 4"	All Finishes	1
	7146H6L96 _ _ _	6" Solid Wood Trim with 4 Clips	3/4 x 96 x 6"	All Finishes	1
	5925	Replacement Trim Clips	N/A	Mill Finish	25
	7239	Adjustable Trim Clip	N/A	Mill Finish	1
	AX_VESTR _ _ _	Axiom® Vector Straight Trim - Recommend in Black 6" and up	N/A	Silver Grey, Black, Gun Metal	10 LF
	AX_VECUR _ _ _	Axiom Vector Curved Trim - Recommend in Black 6" and up	N/A	Silver Grey, Black, Gun Metal	10 LF

♦ When specifying or ordering please include the 3-letter color suffix that coordinates with your WoodWorks ceiling: (e.g., 5457GAL1 G B Q).



WOODWORKS® - Standard

# WOODWORKS® Linear

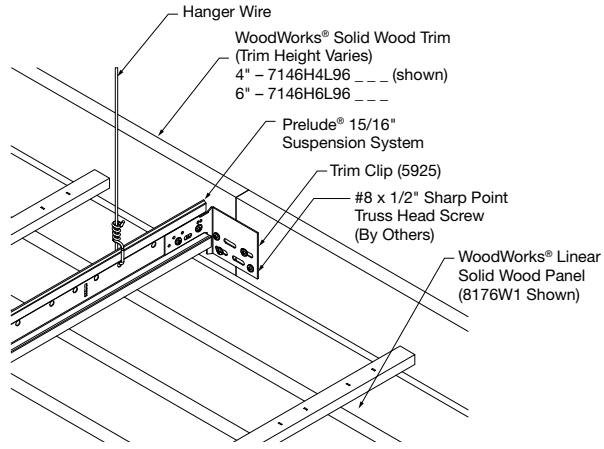
## Solid Wood Panels

LEED® WELL | LBC

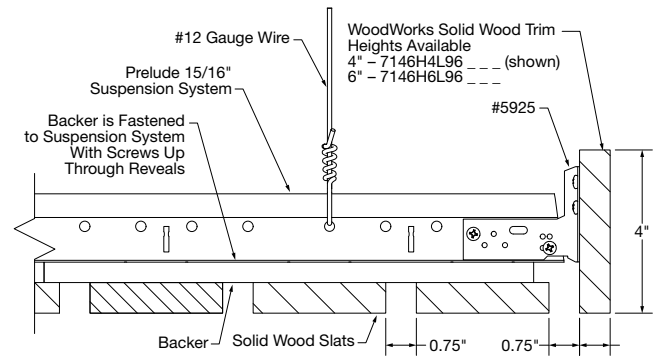
energy management	construction waste mgmt	regional materials	design for flexibility	EPD	recyclable/extended producer resp.	biobased materials	FSC® (for wood)	recycled content	sourcing of low materials	material ingredient reporting	low emitting/ materials	lighting quality	acoustics
LOCATION DEPENDENT					PREMIUM OPTION					WITH INFILL PANEL			

For LEED contribution contact TechLine

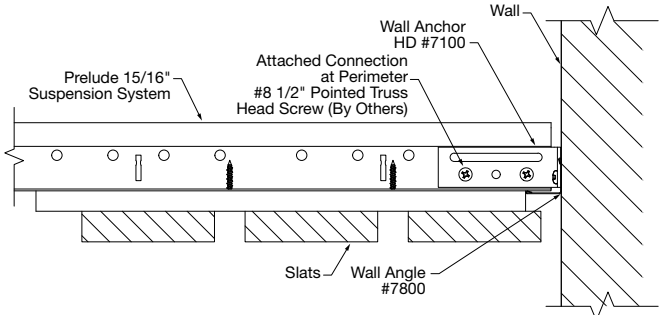
### SYSTEM INSTALLATION DETAILS



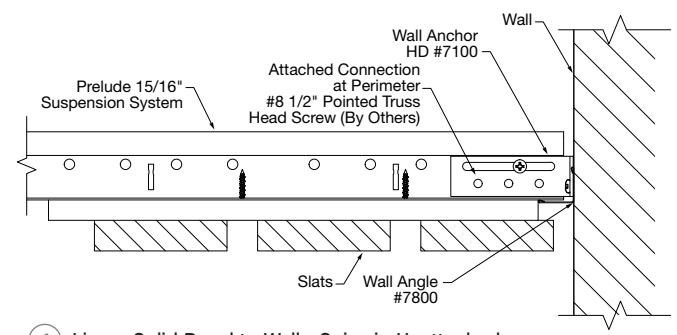
1 Trim Clip at Trim Seam



2 Solid Wood Perimeter Trim



3 Linear Solid Panel to Wall - Seismic Attached



4 Linear Solid Panel to Wall - Seismic Unattached

### PHYSICAL DATA

**Material**  
Solid wood (poplar)

**Surface Finish**  
Clear or tinted semi-gloss coating on all finishes except White (GWH) which has a lacquer finish.

**Fire Performance**  
Class C: ASTM E84 surface burning characteristics. Flame Spread Index 200 or less. Smoke Developed Index 450 or less.

Flame stop coating is available as a custom option. Contact ASQuote@armstrongceilings.com for details.

WoodWorks Linear Solid Wood panels, as with other architectural features located at the ceiling, may obstruct or skew the planned fire sprinkler water distribution pattern, or possibly delay or accelerate the activation of the sprinkler or fire detection systems by channeling heat from a fire either toward or away from the device. Designers and installers are advised to consult a fire protection engineer, NFPA 13, and local codes for guidance where automatic fire detection and suppression systems are present.

**Application Considerations**  
Variation among panels may occur due to the natural characteristics of the wood and grain.

**Design Considerations**  
Relative humidity between 25% and 55%, and temperature between 50° F and 86° F must be maintained.

**Installation Consideration**  
System is designed to have a 1" gap between panels.

**Seismic Restraint**  
WoodWorks Linear Solid Wood panels have been engineered, tested, and approved for application in all seismic areas when installed per Armstrong Ceilings installation instructions.

**Cleaning and Disinfecting**  
Cleaning and CDC-approved disinfecting options available on armstrongceilings.com/cleaning

**Warranty**  
Details at armstrongceilings.com/warranty

**Weight (Bulk Packaged)**  
Refer to visual selection chart.

XAL® is a registered trademark of XAL Inc.; Backlight srl is a trademark of BACKLIGHT srl; LEED® is a registered trademark of the U.S. Green Building Council; Declare® and Living Building Challenge® (LBC) are registered trademarks of the International Living Future Institute; WELL™ and WELL Building Standard® are trademarks of the International WELL Building Institute; Revit® is a registered trademark of Autodesk, Inc.; FSC® is a registered trademark of Forest Stewardship Council®, A.C., license code FSC-C007626; all other trademarks used herein are the property of AWI Licensing LLC and/or its affiliates © 2023 AWI Licensing LLC



# LIGHTING SOLUTIONS

## WOODWORKS® Linear

Solid Wood Panels  
linear lighting



WoodWorks Linear Solid Wood panels in Maple with 5-1/4" x 95" linear light fixture

Seamlessly integrate linear light fixtures from Backlight™ srl and XAL® standard or made-to-order WoodWorks® Linear Solid Wood panels using Integrated Light Connection Clips that suspend lights directly from the suspension system. This eliminates the need for independent support of the fixture or modification of the suspension system.


### KEY SELECTION ATTRIBUTES

- Engineered and tested clip and suspension system seamlessly integrate lighting with grid
- Install lights seamlessly for WoodWorks Linear Solid Wood panels for interior applications
- Low-profile, pre-engineered light fixtures in coordinating 3-1/4" and 5-1/4" widths from Backlight srl and XAL for a flush, sleek visual
- Approved for use in all seismic categories

### DESIGN CONSIDERATIONS

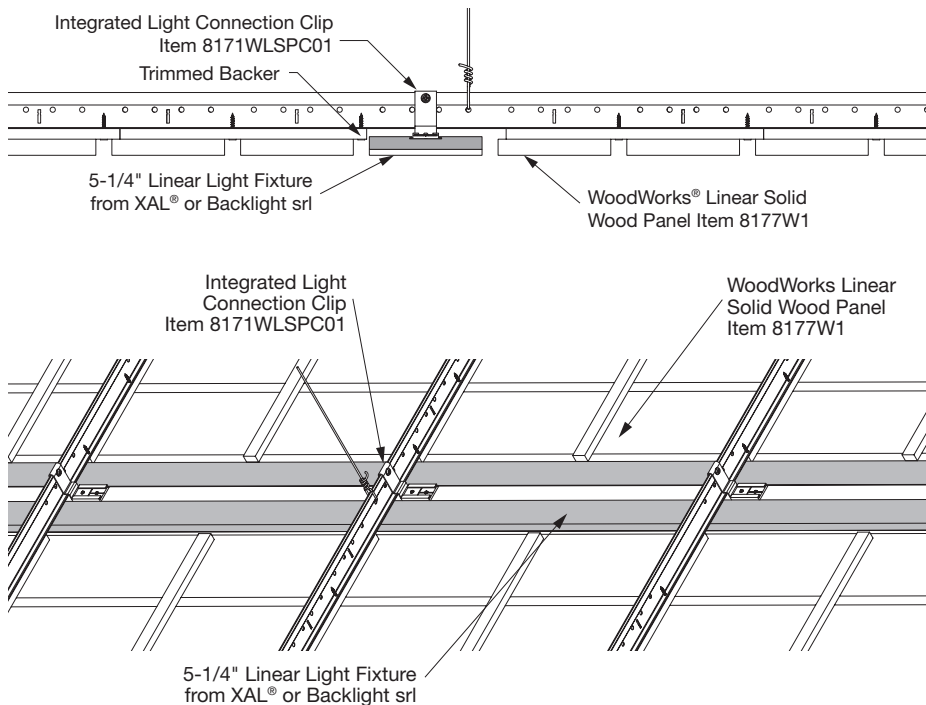
- Length of lights are designed to coordinate with the length of panels
- Lights must run parallel with panel direction and are not for use in perimeter panels
- Modified panels must be screw-attached to the suspension system. Reveal between light and panels will coordinate with the reveal from panel to panel
- Coordination between ceiling contractor and electrician is required for installation

### VISUAL SELECTION

Item No.	Description	Coordinating WOODWORKS Linear Solid Wood Panel Item No.	Panel Field Modification Required*	Compatible Partner Light Fixture Dimensions W x L (Inches)	Clips Required per Light Fixture
WOODWORKS Linear Solid Wood Panels	Integrated Light Connection Clip 	8176W1 8177W1	Male end of backer trimmed to 3/4" 3-1/4" x 95" Male end of backer trimmed to 3/4" 5-1/4" x 95"		4 4

\* Made-to-order panels that eliminate the need for field modification of standard panels are available via ASQuote@armstrongceilings.com  
NOTE: Item 8171WLSPC01 is packaged 12 pcs/ctn

### INSTALLATION DETAILS



### LIGHTING FIXTURES

Compatible with Backlight srl CHIARO™ light fixture and XAL® PANO Low-Profile Linear Plank light fixture



For detailed lighting information, contact your local Backlight srl or XAL® representative.

WOODWORKS® - Standard

# LIGHTING SOLUTIONS

## WOODWORKS® Linear

Solid Wood Panels  
downlighting



WoodWorks Linear Solid Wood panels with USAI BeveLED Mini for WoodWorks light

Seamlessly integrate downlight fixtures from USAI® with standard WoodWorks® Linear Solid Wood panels. Suspend lights directly from the suspension system, eliminating the need for independent support of the fixture or modification of the suspension system.

### KEY SELECTION ATTRIBUTES

- Engineered and tested to seamlessly integrate lighting fixtures with grid
- Approved for use in all seismic categories

### DESIGN CONSIDERATIONS

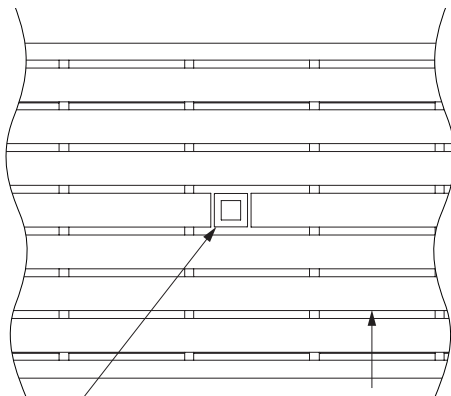
- Lights are designed to sit flush with the face of the WoodWorks panels
- Modified panels must be screw-attached to the suspension system
- Coordination between ceiling contractor and electrician is required for installation

### VISUAL SELECTION

	WOODWORKS Panel Item No.	Description	Coordinating USAI Fixture Family	Coordinating USAI Fixture Part Numbers	USAI Grid Mounting Bars Item No.	Panel Field Modification Required
WOODWORKS Linear Solid Wood Panels	8177	5-1/4" Planks	BeveLED® 2.2 for WoodWorks	B4XXX-UA	UA2	1 plank cut
	8176	3-1/4" Planks	BeveLED Mini® for WoodWorks	B3XXX-UA	UA2	1 plank cut

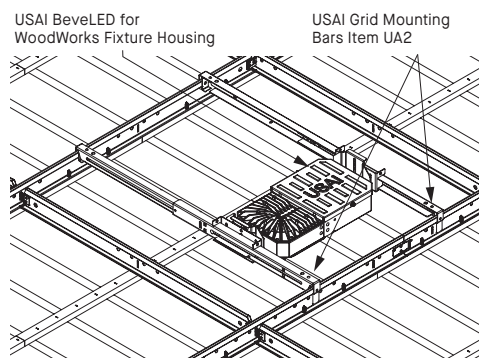
NOTE: Refer to lighting partner cut sheets for light location considerations

### INSTALLATION DETAILS



USAI BeveLED for WoodWorks Fixture – Item B3XXX-UA, Item B4XXX-UA

WoodWorks 12" x 96" Linear Solid Wood Panel



### LIGHTING FIXTURES

Compatible with USAI BeveLED 2.2 for WoodWorks and BeveLED Mini for WoodWorks fixture families.

# USAI® Lighting

For detailed lighting information, contact your local USAI® representative.

